

DUCTLESS

HV1000 R38

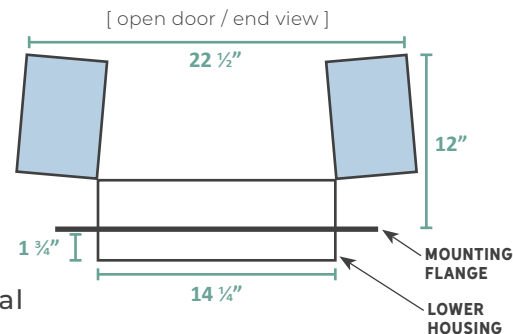
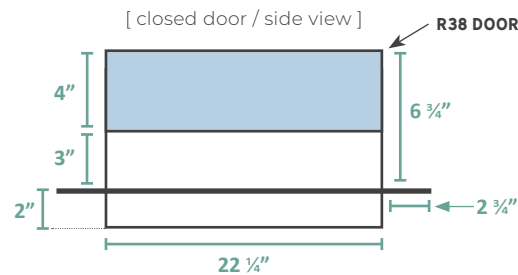
WHOLE HOUSE FAN



Cools homes up to 1,600 Sq ft

FEATURES

- Quickly circulates 1000 CFM* | Cools & ventilates the entire home using fresh outside air
- Energy efficient & maintenance-free
- Mechanical self-sealing doors with R38 insulation value
Also available in R50 insulation
- Easy to install both horizontally and vertically
- Fits 16" - 24" on-center joists | No joist-cutting required
- Controlled by SPST wall switch or spring-wound non-digital timer (not included with fan purchase)**
- Standard 3-year limited warranty with optional extended warranty



SPECS

AIRFLOW (CFM): **1000**

ELECTRICAL REQUIREMENTS: **115/120 VAC, 60HZ**

POWER USAGE WATTS: **70 W**

DOORS INSULATION VALUE: **R38**

ROUGH OPENING: **14 1/2" x 22 1/2"**

INTERIOR GRILLE: **17 3/4" x 25 3/4" / WHITE METAL**

OPERATION: **1 SPEED / 30 SEC DOOR DELAY BEFORE FAN STARTS**

ATTIC VENTILATION: **REQUIRED 1.3 SQ FT NET FREE AREA RECOMMENDED 1.7 SQ FT NET FREE AREA**

WEIGHT: **UNIT 18 lbs SHIPPING 33 lbs**

PURCHASE INCLUDES: **(1) HV1000, (1) HORIZONTAL GRILLE, (1) ELECTRICAL BOX COVER**

OPTIONAL ACCESSORIES: **VERTICAL GRILLE, "MUFFLER" ACOUSTIC PLENUM BOX**

**CFM rates were measured in a controlled test environment. Results will vary due to building construction.*

***All other controls will void the product warranty.*

Tamarack Technologies | 20 Patterson Brook Road, Suite #7 | West Wareham, MA 02576 | 800-222-5932

P/N HV1000-R38-16