



VARA SPA™ 5 FUNCTION HANDHELD SHOWERHEAD

Our Niagara Conservation branded Vara Spa 5 function handheld showerhead includes center, full + center, full, full + pulse and pulse spray settings to suit varied showering preferences. At just 2.0 gallons of water per minute, the Vara Spa saves 20% of water annually over standard showerheads.

THE FEATURES

- Soft rubber nozzles allow for easy cleaning
- Patented pressure compensating technology provides consistent output of water regardless of pressure
- Includes 60" nylon reinforced PVC hose and bracket
- Turns freely when connected
- 10 year warranty***

CERTIFICATION & PERFORMANCE REQUIREMENTS

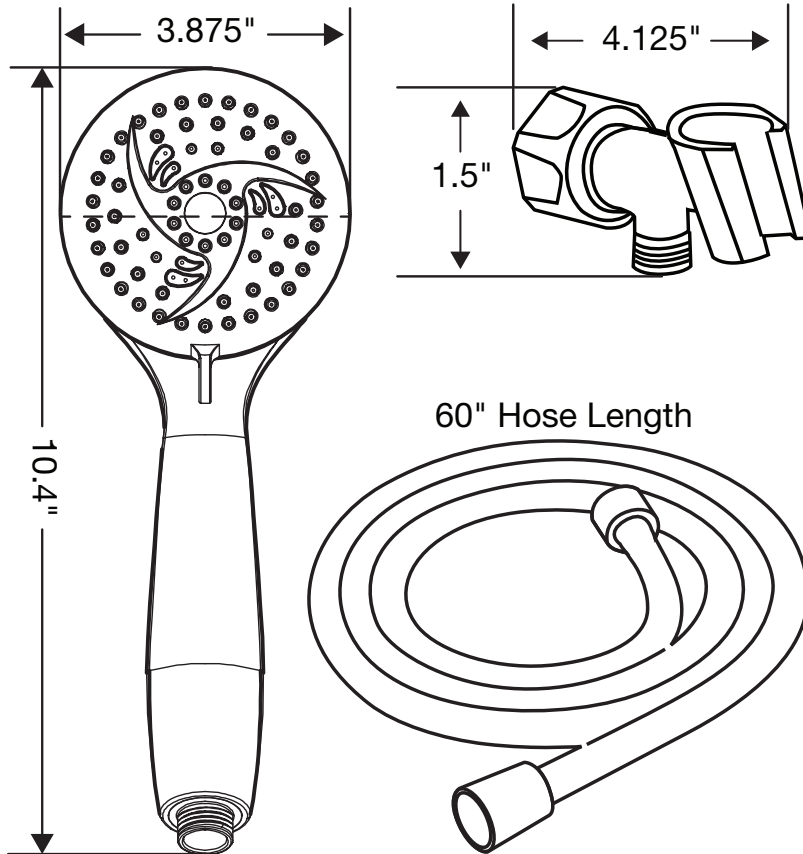
- ANSI specification A112.18.1, CSA, CEC, DOE

MODEL #	FINISH	FLOW RATE	WATERSENSE	CASE QTY.
N9620CH-HH	Chrome	2.0 GPM	Yes	6

THE POTENTIAL ANNUAL SAVINGS*

	WATER	ELECTRIC HEATING	GAS HEATING
DOLLAR SAVINGS	\$37	\$72	\$37
UTILITY SAVINGS	4,380 gallons	569 kWh	32 therms

THE DIMENSIONS**



*Factors in calculating savings potential:

- 3-person households each using a shower 9 minutes per day, 365 days per year (AWWARF Residential Study)
- Comparing water use with these showerheads vs. a standard 2.5 GPM unit
- US city average water and sewer cost of \$8.3 per 1,000 gallons (study done by NUS)

**Dimensions are subject to change

***WARRANTY DETAILS

AM Conservation Group, Inc. guarantees to the original purchaser or recipient of a showerhead that it is free from defects in material and workmanship for a period of 10 years. AM Conservation Group, Inc. will at our choice replace any part of the showerhead which is in our opinion defective provided that the product has not been abused, misused, altered, or damaged after its purchase. This includes damage due to the use of tools or harsh chemicals. In the event a product has been discontinued, AM Conservation Group, Inc. will replace it with what we determine to be the closest product. AM Conservation Group, Inc. is not responsible for labor charges, installation, or other consequential cost. AM Conservation Group, Inc.'s responsibility shall not exceed the original cost of the product.

Consulting Group 2011)

- Average cost of electricity 0.113¢ per kWh (Energy Star Nov. 2013 Lightbulb Calculator — http://www.energystar.gov/?c=cfls.pr_cfls_savings)
- Average cost of gas \$1.137 per therm (Bureau of Labor Statistics April 2014)
- Calculations done by <http://www.fishnick.com/savewater/tools/watercalculator>