

Vara Spa™ 5 Function Showerhead

N9620CH

FEATURES AND BENEFITS

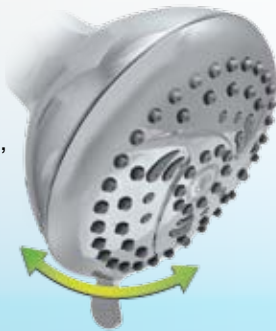


Vara Spa™ 5 Function Showerhead

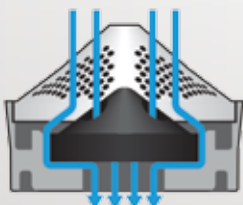
Water Savings Without Sacrificing Performance

- 5 Spray Settings Include: Center, Full + Center, Full, Full + Pulse, Pulse
- 2.0 GPM saves 20% over standard showerheads
- Soft rubber nozzles allow for easy cleaning
- Niagara's patented pressure compensating technology guarantees a consistent flow rate across wide range of pressure
- Because showerhead uses less, hot water in tank lasts longer
- Installs easily without tools to existing shower arm
- Chrome finish
- Commercial grade brass ball joint available on N9620CH
- Limited lifetime warranty**

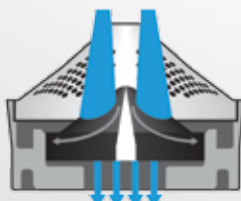
Five Spray Settings:
Center, Full+Center, Full,
Full+Pulse, Pulse



Constant Output Regardless of Pressure



Low Water Pressure



High Water Pressure

POTENTIAL SAVINGS*

	Water (Gallons)	Electric (kWh)	Gas (therms)	Dollars
Water Savings	5,475			\$44
Energy Savings with Electric Water Heater		803		\$107
Energy Savings with Gas Water Heater			27	\$26

*Factors in calculating savings potential:

- 3-person households each using a shower 10 minutes per day, 365 days per year
- Comparing water use with this 2.0 GPM showerhead vs. a standard 2.5 GPM unit
- Water and sewer cost of \$8 per 1,000 gallons
- 8.34 BTUs to raise the temperature of 1 gallon of water 1°
- 500.4 BTUs to raise the temperature of 1 gallon 60° (i.e. 50° to 110°)
- 1 million BTUs = 293 kWh
- Average cost of electricity \$0.133 per kWh (Bureau of Labor Statistics Sept 2012)
- Average cost of gas \$0.953 per therm (Bureau of Labor Statistics Sept 2012)

Corporate HQ

4200 Diplomacy Road
Fort Worth, TX 76155 USA
Toll Free: 800.831.8383
Phone: 817.391.0800 Fax: 817.391.0801
Email: info@nccgreen.com

© 2013 Niagara Conservation

MSS9620-04

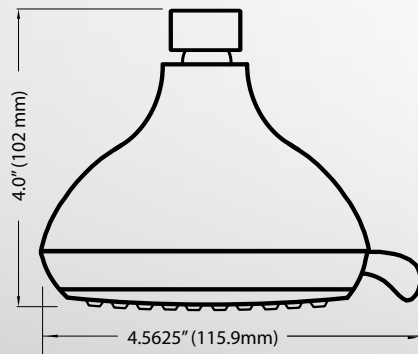
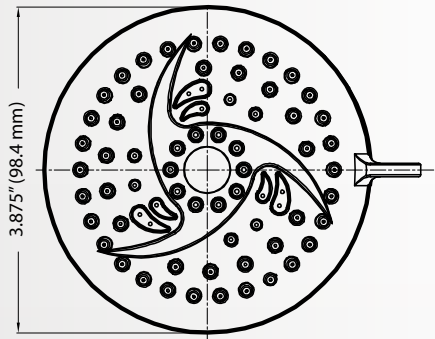


For more information please visit: www.NiagaraConservation.com

Vara Spa™ 5 Function Showerhead

N9620CH

SPECIFICATIONS



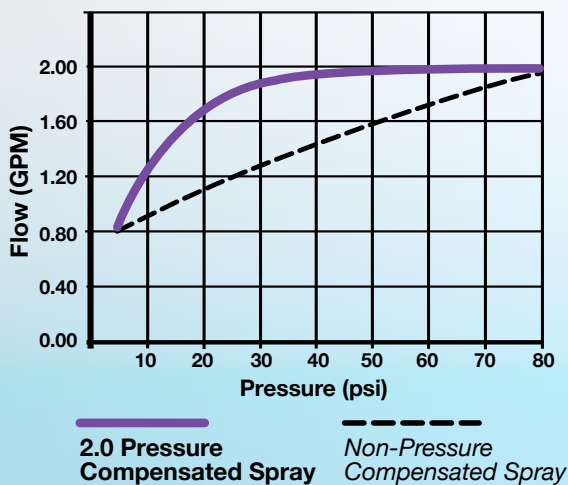
*Dimensions are subject to change

Overall Dimensions	Diameter 3.875" Depth: 4.0"
Materials	Body: Chrome-plated durable ABS plastic; (Not available in white)
Threads	Inlet size: 1/2-14 NPSM female straight pipe thread
Certifications	Watersense labeled – Max. flow rate: 2.0 GPM (7.6 LPM); Min. flow rate @ 45psi: 1.5 GPM (5.7 LPM)



Consistent Flow Rate Across Wide Range of Pressure

2.0 GPM Flow Rate



**WARRANTY FOR SHOWERHEADS PURCHASED AT RETAIL:

Limited Lifetime Warranty for showerheads purchased at retail for as long as the original purchaser owns the product. Niagara will replace any part that, in our opinion has proved defective, provided it has not been abused, misused, altered or damaged after its purchase.

For complete product warranty details, call Niagara Conservation at 1-800-831-0800.

WARRANTY FOR SHOWERHEADS OBTAINED THROUGH WHOLESALE, MUNICIPALITIES, UTILITIES OR OTHER COMMERCIAL CHANNELS:

10-year Limited Warranty to the purchaser from the date of purchase.

Niagara will replace any part that, in our opinion has proved defective, provided it has not been abused, misused, altered or damaged after its purchase.

For complete product warranty details, call Niagara Conservation at 1-800-831-0800.

Corporate HQ

4200 Diplomacy Road
Fort Worth, TX 76155 USA
Toll Free: 800.831.8383
Phone: 817.391.0800 Fax: 817.391.0801
Email: info@nccgreen.com

© 2013 Niagara Conservation

MSS9620-04



For more information please visit: www.NiagaraConservation.com

Vara Spa™ 5 Function Showerhead

N9620CH

PACKAGING

Retail Packaging:

Blistercard Display Packaging



Retail Displaying:

Shipping and Displaying Tray

RETAIL PACKAGING

Item No	RN9620CH
UPC Code	732291000079
Type of Packaging	Blistercard Display Packaging
Pack Quantities	6 Pack in Tray and RSC Master Carton
Dimensions Ea. Pkg.	Width 6.75" Height 9.625" Depth 4.625"
Weight Ea. Pkg.	0.58 lbs
I205	10732291000076
Dimensions of Master	Width 8.125" Height 13.25" Depth 8.125"
Weight of Master	5.95 lbs

Bulk Packaging:

Bubblewrap Bag



BULK PACKAGING

Item No	N9620CH
Type of Packaging	Kraft Corrugated
Pack Quantities	TBD
Dimensions of Master	TBD
Weight of Master	TBD

Corporate HQ

4200 Diplomacy Road
 Fort Worth, TX 76155 USA
 Toll Free: 800.831.8383
 Phone: 817.391.0800 Fax: 817.391.0801
 Email: info@nccgreen.com

© 2013 Niagara Conservation

MSS9620-04



For more information please visit: www.NiagaraConservation.com