

BubbleStream® Wave Double Swivel 1.2 - 2.2 gpm



flow, stop and go®

Features and Benefits

- ▶ Sleek contemporary dual swivel spray/aerator.
- ▶ Pull down action switches from aerated stream to powerful spray.
- ▶ Swivel action allows spraying of hard to reach areas of the sink.

Certifications

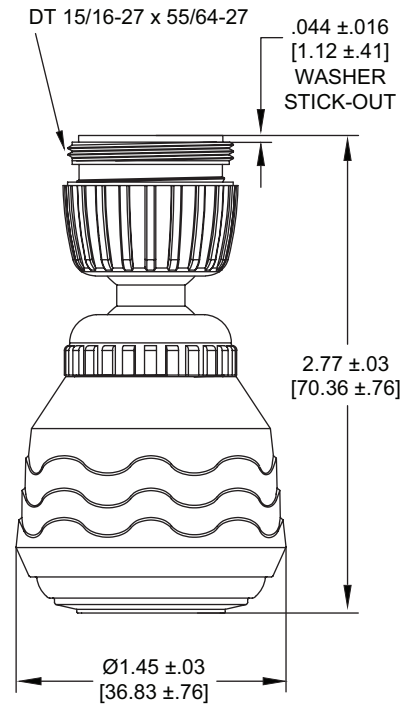
ANSI/NSF 61
ASME A112.18.1M and CSA B125 (21 331, 20 733 pending)
Meets **CALGreen** requirements (excludes 2.2 gpm)
WaterSense [See models below.]
Complies with CEC Amendment to CCR Title 20, section 1605.3



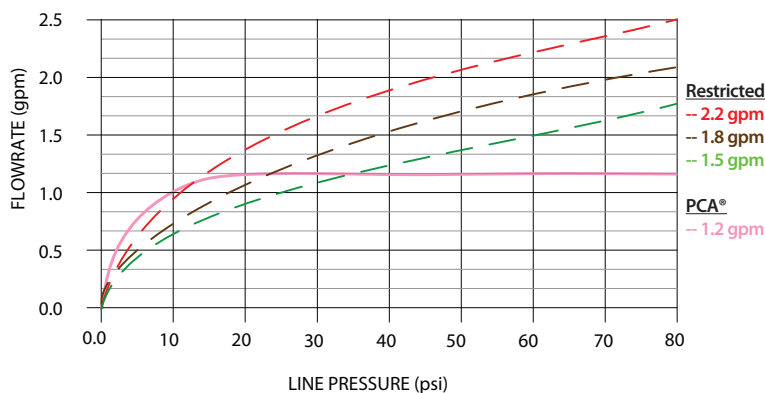
Options Available

Part #	Color	gpm	PCA®	WaterSense
21 331	White/chrome	1.2	yes	pending
20 631	White/chrome	1.5	no	yes
21 433	White/chrome	1.8	no	no
20 733	White/chrome	2.2	no	no

Dimensions



Flow Rate Curve

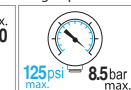
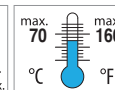
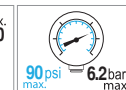
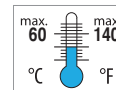


Technical Data

Materials: Body Acetal
Screen Stainless Steel
Washers EPDM
Outer body ABS
Connector Acetal
Adapter Acetal

Continuous

Short-term (5 minutes max.)
Per ASME A112.18.1 testing requirements.



NEOPERL® Inc., Waterbury, CT • Tel: 203-756-8437 • Fax: 203-574-2107 • www.neoperl.com