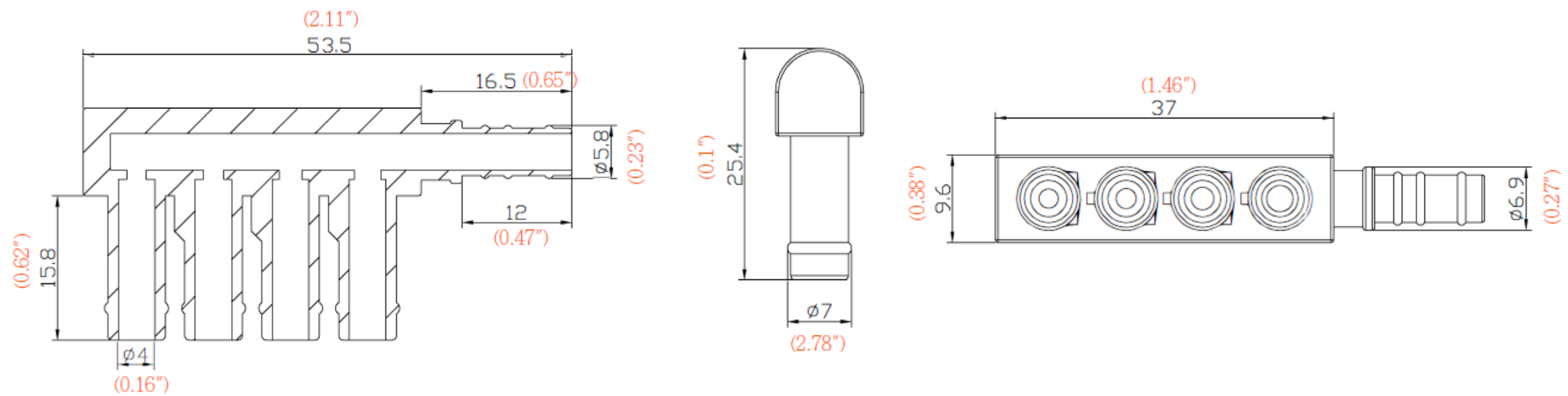


Toilet Fill cycle diverter

Features

1. No tools needed to install.
2. No adjustments required.
3. Individually packaged with instructions on installation.
4. Does not negatively affect flush performance



Installation

- 1) Pull the main line hose out of the overflow tube and remove any clips or holders
- 2) Insert the Diverter into the free hose end
- 3) Push the Diverter down onto the overflow tube
- 4) Adjust the number of Diverter outlets flowing into the tank until the bowl and tank fill at the same time

