

## Select Series LED Full Cutoff Wall Pack

### Product Specifications



TCP's Select Series LED Full Cutoff Wall Pack takes outdoor lighting to the next level. Two different wattage packages and three color temperatures give 18 possible combinations to perfectly illuminate any outdoor space. Utilize these wall packs in building perimeters, security lighting, entrances, and exits.

The bronze aluminum housing features an elegant heat sink design that allows the fixture to operate without overheating. It comes with 0-10V dimming standard, is -40°C to 40°C temperature rated, IP65 wet location rated, and offers CRI greater than 70.

### Reasons to choose the Select Series LED Full Cutoff Wall Pack from TCP

- Delivers bright, white light with excellent uniformity
- IP65 wet location rated for outdoor use
- Color temperature and wattage selectable
- Durable construction with die-cast aluminum housing and impact-resistant polycarbonate lens
- Integrated photocell maximizes energy efficiency

### Ideal Applications

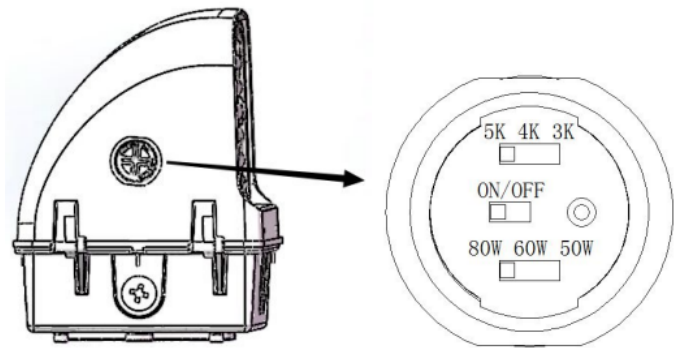
- Site Lighting
- Security Lighting
- Entrances
- Perimeters

## Specifications

Input Line Voltage .....	120-277V
Input Line Frequency (Hz) .....	50/60Hz
Wattage (W).....	20/30/40W or 50/60/80W
Lumens (L).....	2600/3900/5200L or 6500/7800/10400L
Lumens per Watt (LPW).....	130 LPW
CCT .....	3000K/4000K/5000K
Rated Life.....	50,000 hours
Minimum Starting Temperature .....	-40°C (-40°F)
Maximum Operating Temperature.....	40°C (104°F)
CRI.....	>70
Ratings .....	cULus wet location rated
Controls.....	0-10V Dimming (standard)

### CCT and Wattage Selectable

Up to 9 CCT and wattage combinations per SKU.  
Internal switches maintain wet location rating.



**Integrated photocell is standard**

BUG Rating	
SFWUZDSW4CCT	B2-U0-G1
SFWUZDSW7CCT	B3-U0-G2

## Replacement Strategy

TYPE	WATTAGE*	ENERGY SAVINGS (%)
<b>TCP LED Select Series Full Cutoff Wall Pack</b>	<b>40W</b>	—
100W-150W Metal Halide	100W	60%
<b>TCP LED Select Series Full Cutoff Wall Pack</b>	<b>50W</b>	—
100W-150W Metal Halide	150W	67%
<b>TCP LED Select Series Full Cutoff Wall Pack</b>	<b>60W</b>	—
175W Metal Halide	175W	66%
<b>TCP LED Select Series Full Cutoff Wall Pack</b>	<b>80W</b>	—
200W Metal Halide	200W	60%

\*Actual wattage may differ by +/- 5%, when operating between 120-277V +/- 10%.

**NOTE:** Charts show system lumens (delivered lumens), NOT straight lamp lumen output.  
This is calculated as follows:

**System lumens = mean lumens x # lamps x ballast factor x luminaire efficiency factor**

## Applications

This product family can be effectively used in outdoor wall mount locations, commercial, industrial, retail and healthcare exterior lighting, parking lot, cargo door, high wall, area, security, etc.

## Construction

- Die-cast aluminum housing
- Impact-resistant polycarbonate lens
- Durable bronze powder coat
- Same footprint as existing HID wall packs
- Operating Temperature: -40°C to 40°C
- Four knockouts available for wiring

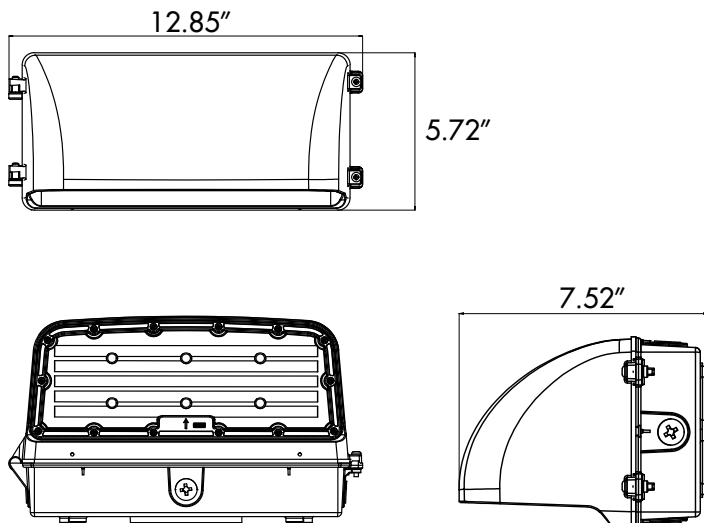
## Electrical

- IP65 wet location rated
- Easy-to-access wiring compartment
- System rated for long 50,000 hour life
- Efficiently delivers up to 130 LPW

## Optics

- High light transmittance polycarbonate lens
- Delivers bright, white light and excellent uniformity
- Low glare optics provide excellent visibility
- Full cut off optics provide Dark Sky conformance

## Dimensions



Item Number	
Notes	Type



### Listings

UL and cUL listed  
RoHS Compliant  
DLC 5.1 Premium

### Warranty

Five year limited warranty against defects in manufacturing.

## Catalog Ordering Matrix

Example: SFWUZDSW4CCT

FAMILY	VOLTAGE	CONTROLS	LUMEN PACKAGE (Power)	SELECTABLE COLOR TEMPERATURE
SFW – Selectable Full Cutoff Wall Pack	U – 120V-277V	ZD – 0-10V Dimming	SW4 – 5200/3900/2600L (40/30/20W) SW7 – 10400/7800/6500L (80/60/50W)	CCT – 30/40/50K

# TECHNOLOGY CAST IN A BEAUTIFUL LIGHT

For over 20 years, TCP has been designing, developing and delivering energy-efficient lighting into the market. Thanks to our cutting-edge technology and manufacturing expertise, we have shipped billions of high quality lighting products. With TCP, you can count on a lighting product that is designed to meet the needs of the market - that transforms your surroundings and envelopes you in warmth - lighting that generates beauty with every flip of the switch.

Sales:

Date:

Model:

Project:

Rep:

Catalog Number:

Type:

Notes:



For more information on the quality and care TCP can deliver, call us at **800.324.1496** or visit [tcp.com](http://tcp.com)

325 Campus Dr. | Aurora, Ohio 44202 | P: 800.324.1496 | F: 877.487.0516