

PROJECT NAME: _____ CAT. #: _____

NOTES: _____ FIXTURE SCHEDULE: _____

Bullet Flood

BF Series



Features:

- Available in 2 distributions: Wide and Narrow
- CCT Selectable: 3000K/4000K/5000K
- ≥100,000 hour L70 Life @ 25°C
- Universal 120-277V driver
- Fixture can be surface mounted directly to electrical boxes or posts with 1/2" threaded bushing
- Internal photocell with on/off switch included standard
- 0-10V dimming

Construction:

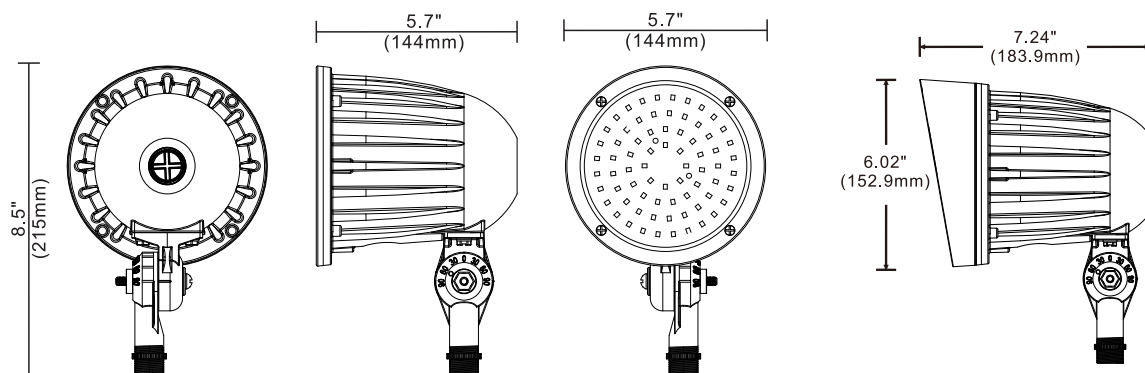
- Die cast aluminum body
- Bronze corrosion resistant polyester powder coat finish
- Sealed to keep out dirt and bugs (IP65)
- Shatter proof, UV stabilized polycarbonate lens

Warranty:

5-year standard warranty

Ordering Structure

FAMILY	WATTAGE (NOMINAL)	VOLTAGE	DISTRIBUTION	-	CCT	COLOR	CONTROLS
BF= Bullet Flood	25= 25W/16W/9W	U= Universal 120-277V	W= Wide N= Narrow	-	WCS Wattage Selectable & CCT Selectable 3K/4K/5K	B= Dark Bronze W= White Contact MaxLite for additional finishes	PC= 120-277V Photocell included standard with on/off switch



5-year standard warranty

(further details available at www.maxlite.com/warranties) Product may be eligible for a warranty extension to 10 years, for an additional fee. Contact MaxLite for details.