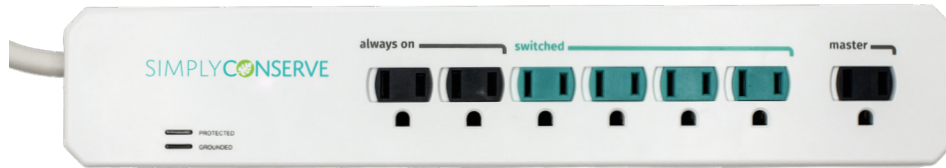


# 7 Outlet Advanced Power Strip

Save Energy & Money



**7 Outlets**  
2 x Always On  
1 x Master  
4 x Switched



**1,440 Joules**



**3 ft. Heavy-Duty Power Cord**



**Child-Protective Outlet Covers**



**Angled Space-Saver Plug**



**Utility-Approved**

## OVERVIEW

Did you know that your plugged-in devices are always using energy, even when powered off? Eliminate that excess usage and trim your utility bill with this Energy-Saving Advanced Power Strip. It works by intelligently cutting off power to connected devices when they're not in use, eliminating phantom and standby power losses without ever unplugging the equipment.

Here's how it works. Load-sensing technology detects the current being drawn through the Master Outlet, which is plugged into a primary device like your TV or computer. Then, peripheral devices like game consoles, DVD players or monitors are plugged into the Switched Outlets, which only become energized when a high current is detected in the Master Outlet, indicating the TV or computer is powered on. Always-On Outlets provide power at all times, so they can be used for devices that need power constantly, like modems and cable boxes. Stop paying for energy you're not using and start living more efficiently without making a lifestyle change – let the Energy-Saving Advanced Power Strip do all the work for you!

## KEY FEATURES

- 7 outlets:
  - 1 master outlet (transformer-spaced)
  - 2 always-on outlets
  - 4 switched outlets
- 15-amp resettable circuit breaker
- 1,440 joules of surge protection
- Consumes <1W at all times
- LED status indication (ground, protected)
- <40 dB EMI/RFI noise filtering
- 3 ft. heavy-duty cord
- Angled space-saver plug
- Child protective outlet covers
- Convenient and eco-friendly product packaging

## ELECTRICAL SPECIFICATIONS

<b>Voltage:</b>	125 VAC, +/-1%, 60 Hz
<b>Power Rating:</b>	15 Amp
<b>Surge Protection:</b>	1,875W, 1,440 Joules
<b>VPR Rating:</b>	700V (L-N), 900V (L-G), 800V (N-G)
<b>Standby Power:</b>	<1W
<b>Clamping Response:</b>	<1 Nanosecond

## PHYSICAL SPECIFICATIONS

<b>Operating Temperature:</b>	30°F to 113°F
<b>Outlet:</b>	NEMA 5-15R
<b>Cord Length:</b>	3 Foot
<b>IP Rating:</b>	IP20

## EMI/RFI NOISE FILTERING

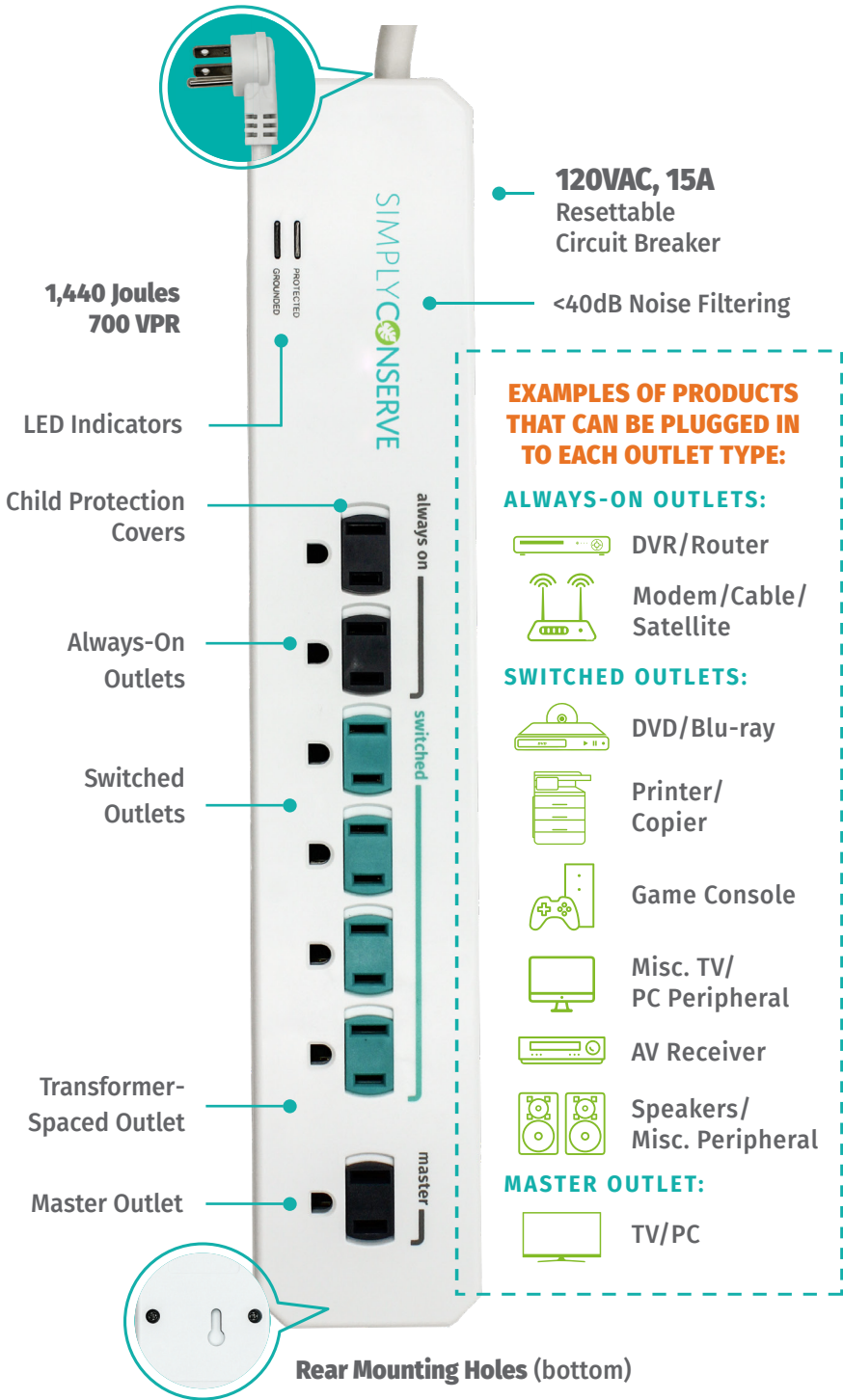
<b>Noise Filtering:</b>	<40dB
<b>EMI/RFI:</b>	Yes

# SIMPLY CONSERVE



This product is backed by Simply Conserve's Lifetime Product and Connected Equipment Warranty.

- 10-year Lifetime Product Warranty
- \$20,000 Connected Equipment Warranty



**FOR INDOOR USE ONLY**

## HOW TO USE

### MASTER OUTLET

Plug in your TV, computer or other primary device. Load-sensing technology will detect the current being drawn through this outlet to activate the switched outlets, 15-18 watts.

### SWITCHED OUTLET

Plug in game consoles, DVD players, monitors or other peripheral devices. These only become energized when the primary device (in the Master Outlet) is powered on.

### ALWAYS-ON OUTLET

Plug in any devices that require power at all times, like a modem or cable box. The power supply of these outlets is not dependent on the Master Outlet.

## TESTING STANDARDS

UL1363, UL1449, UL817

## SC73T1

Simply Conserve is a registered trademark of AM Conservation Group, Inc.

2019 Simply Conserve

All rights reserved.

**Made in China**

[www.SimplyConserve.com](http://www.SimplyConserve.com)

