



## EARTH® HANDHELD SHOWERHEAD

Our Niagara Conservation branded Earth® Handheld Showerhead features a 9-jet adjustable turbo massage that easily rotates from a gentle needle spray to a forceful jet. As the stream is non-aerated, the showerhead experiences less temperature loss — translating to maximum energy savings.



### THE FEATURES

- Three spray settings: 9-jet spray, shower and combo
- Pressure compensated technology guarantees a consistent flow rate across a wide range of pressure
- Even, vacillating motion with a large spray diameter
- Corrosion-resistant, high-impact ABS thermoplastic body with metal ball joint
- Includes 72" stainless steel hose for chrome models and 72" nylon reinforced PVC hose and bracket for white model — hoses include a backflow preventer
- 10 year warranty\*\*\*

### CERTIFICATION & PERFORMANCE REQUIREMENTS

- ASME A112.18.1 / CSA B125.1; ANSI/NSF 61
- WaterSense® Labeled



### OTHER FINISHES



White

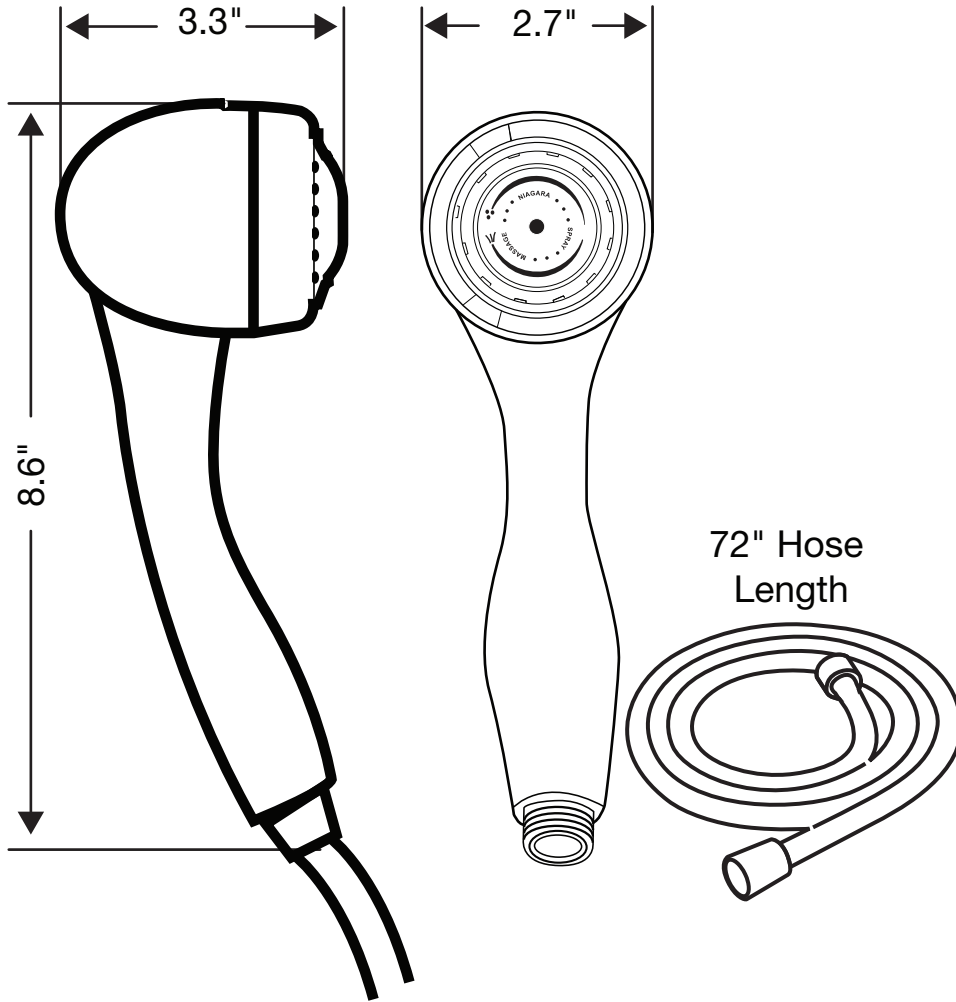
Brushed Nickel

MODEL #	FINISH	FLOW RATE	WATERSENSE	CASE QTY.
N2935	White	2.0 GPM	Yes	12
N2925CH	Chrome	1.25 GPM	No	12
N2935CH	Chrome	2.0 GPM	Yes	12
N2945BN	Brushed Nickel	1.5 GPM	Yes	12
N2945CH	Chrome	1.5 GPM	Yes	12

### THE POTENTIAL ANNUAL SAVINGS\*

	FLOW RATE	WATER	ELECTRIC HEATING	GAS HEATING
DOLLAR SAVINGS	2.0 GPM	\$37	\$72	\$37
UTILITY SAVINGS	2.0 GPM	4,380 gallons	596 kWh	32 therms
DOLLAR SAVINGS	1.5 GPM	\$73	\$129	\$72
UTILITY SAVINGS	1.5 GPM	8,760 gallons	1,138 kWh	63 therms

## THE DIMENSIONS\*\*



\*Factors in calculating savings potential:

- 3-person households each using a shower 9 minutes per day, 365 days per year (AWWARF Residential Study)
- Comparing water use with these showerheads vs. a standard 2.5 GPM unit
- US city average water and sewer cost of \$8.3 per 1,000 gallons (study done by NUS)

\*\*Dimensions are subject to change

\*\*\*WARRANTY DETAILS

AM Conservation Group, Inc. guarantees to the original purchaser or recipient of a showerhead that it is free from defects in material and workmanship for a period of 10 years. AM Conservation Group, Inc. will at our choice replace any part of the showerhead which is in our opinion defective provided that the product has not been abused, misused, altered, or damaged after its purchase. This includes damage due to the use of tools or harsh chemicals. In the event a product has been discontinued, AM Conservation Group, Inc. will replace it with what we determine to be the closest product. AM Conservation Group, Inc. is not responsible for labor charges, installation, or other consequential cost. AM Conservation Group, Inc.'s responsibility shall not exceed the original cost of the product.

Consulting Group 2011)

- Average cost of electricity 0.113¢ per kWh (Energy Star Nov. 2013 Lightbulb Calculator — [http://www.energystar.gov/?c=cfls.pr\\_cfls\\_savings](http://www.energystar.gov/?c=cfls.pr_cfls_savings))
- Average cost of gas \$1.137 per therm (Bureau of Labor Statistics April 2014)
- Calculations done by <http://www.fishnick.com/savewater/tools/watercalculator>