

# TOPSTAR

## TPS™

### LED LUMINAIRE

### LINEAR HIGH BAY



TOPSTAR'S LED Linear Highbay light is a design based on the idea of green energy. It saves about 70% energy compared with the fluorescent tubes. The Luminaire accepts 120-277VAC 50/60Hz, and have the high lumen efficiency up to 135lm/W. With well-distributed and soft light, high stability, long life, elegant and extremely professional design, this Luminaries is regarded as the leading of green Lighting for commercial and residential uses.

- UL, DLC 5.1 Premium Listed, Designed to meet recommended luminance and illuminance requirements for High bay and Low bay applications.
- High system efficacy up to 135 LPW
- 4000K / 5000K CCT
- THD <20%, PF>0.9, Ra 80, Flicker Free
- Extra long 50,000 hr lifetime @ 25°C/77°F ambient fixture temperature
- 0-10V Dimmable, can dim to 10%
- Includes Frosted lens, V-hook and chain mounting kit
- Ambient temperatures rated for -20°C to 50°C, when fixture is suspended at least 18" from ceiling
- Compatible with Topstar occupancy sensors
- Suitable for dry and damp locations
- Surface Mounting, Pendant Mounting and Suspending Mounting
- 5 Years' warranty \*\*\*

Ordering Code *	Watt(W)	Initial Lumen **	CRI	Color Temp	Rated Average life	Dimension LXWXH(in)	Dimmable
LH2F-8YY-85P-M2-D	85	11560	82	4000K/5000K	50,000	24.8x15.0x2.2	Y
LH2F-8YY-105P-M2-D	105	14280	82	4000K/5000K	50,000	24.8x15.0x2.2	Y
LH2F-8YY-155P-M2-D	155	21080	82	4000K/5000K	50,000	24.8x15.0x2.2	Y
LH2F-8YY-210P-M2-D	210	28560	82	4000K/5000K	50,000	24.8x18.9x2.2	Y
**** LH3F-8YY-270PS-M3-D	270-230-200	40500-34500-30000	82	4000K/5000K	50,000	31.1x10.2x1.8	Y

\* Where YY means 40-50 which indicates color temperature

\*\* Initial Lumen above is @ 5000K

\*\*\* Warranty term details refer to "Topstar Warranty" Letter

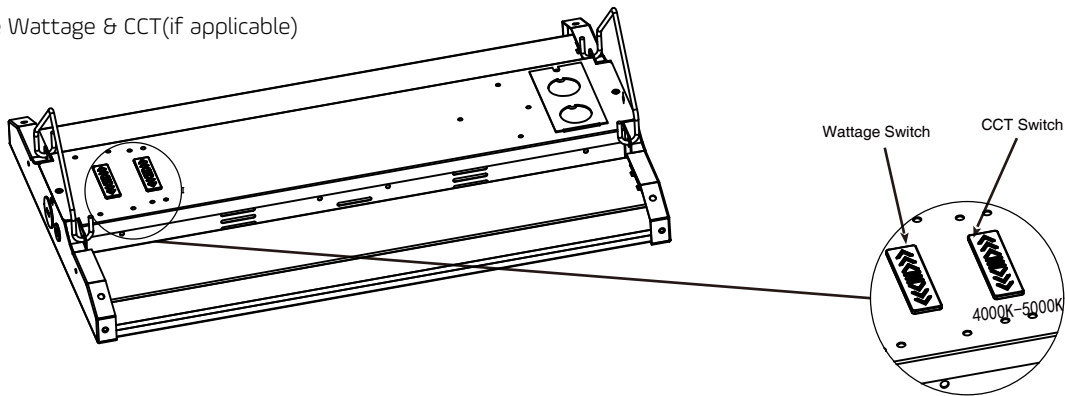
\*\*\*\* Power Selectable

## Installation Guide

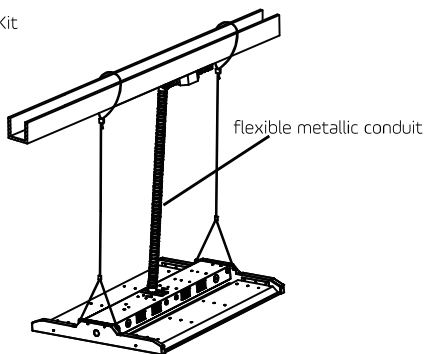
**Always turn off the power supply from main circuit breaker first!**

- Take out the new LED fixture from packaging. Handle new LED fixture with care.
- Pls find the color temperature or wattage switches on back of the fixture as indicated on picture above. (IF APPLICABLE)
- Move the switch left or right to the desired color temperature or wattage, only when the fixture is turned off.
- CHAIN MOUNT EXAMPLE; Install the chain into the wire hanger provided. Secure the other end of the chain to a structure using hardware rated for the load. Install the wire hanger onto the side of the top LED channel. Make sure the wiring hangers are fully engaged into the side holes on the top channel.
- Connect the LED high bay wiring to line wire, black to black, white to white and green to green. Use only UL listed wiring.  
 \*\*NOTE: Purple and grey lead inside the driver compartment are 0-10V (low voltage) dimming leads. Connect to dimming low voltage wiring only.
- Clean all residues/fingerprints from the new LED high bay and lens. Double check all hanging hardware before moving onto the next installation.

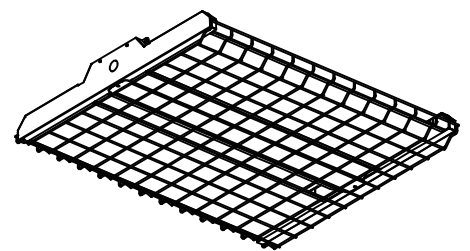
Field-Adjustable Wattage & CCT(if applicable)



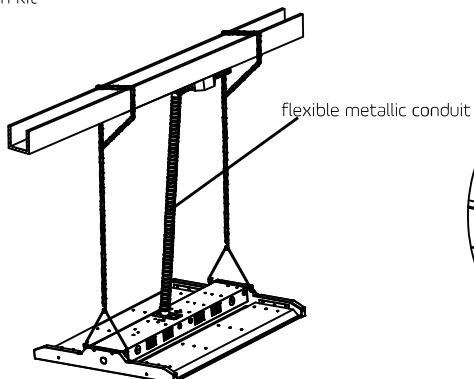
**A: Cable Kit**



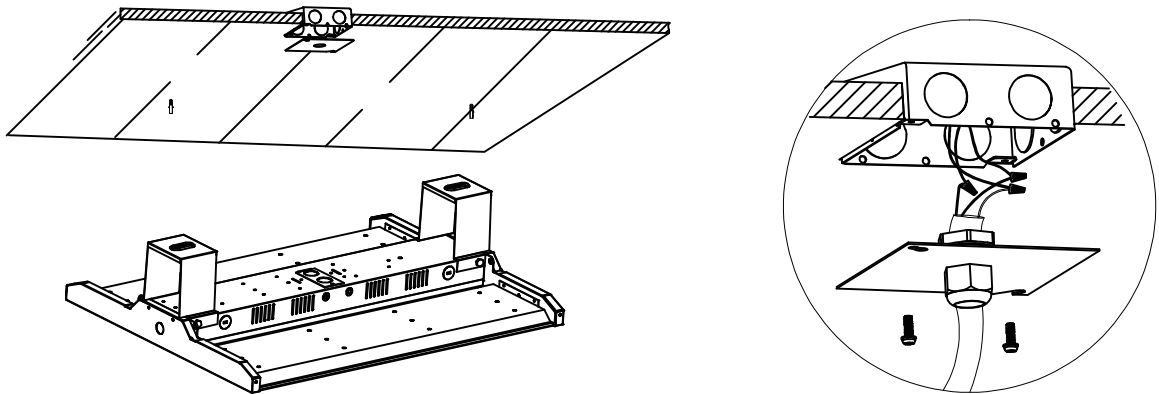
**C: Wire Guards**



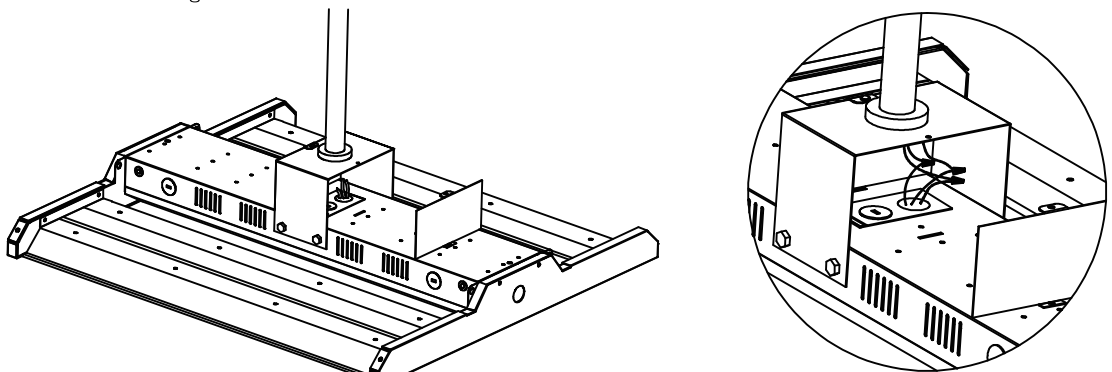
**B: Chain Kit**



**D: Surface Mounting**



**E: Pendant Hanger**



Size	Weight(Kg)
2FT	5.1(max)
4FT	8.0(max)

**⚠ WARNING**

- To reduce the risk of death, personal injury or property damage from fire, electric shock, falling parts, cuts/abrasions, and other hazards read all warnings and instructions included with and on the fixture box and all fixture labels.
- Before installing, servicing, or performing routine maintenance upon this equipment, follow these general precautions.
- Commercial installation, service and maintenance of luminaires should be performed by a qualified licensed electrician.
- For the installation: If you are unsure about the installation or maintenance of the luminaires, consult a qualified licensed electrician and check your local electrical code.
- To prevent wiring damage or abrasion, do not expose wiring to edges of sheet metal or other sharp objects.
- Do not make or alter any open holes in an enclosure of wiring or electrical components during kit installation.

**⚠ WARNING**

- Turn off electrical power at fuse or circuit breaker box before wiring fixture to the power supply.
- Turn off the power when you perform any maintenance.
- Verify that supply voltage is correct by comparing it with the luminaire label information.
- All wiring connections should be capped with UL approved wire connectors.

**⚠ CAUTION**

- Avoid direct eye exposure to the light source while it is on.
- Account for small parts and destroy packing material, as these may be hazardous to children.
- Risk of burn. Disconnect power and allow fixture to cool before changing bulb or handling fixture.

- NOTICE:** Green ground screw provided in proper location. Do not relocate.
- NOTICE:** Minimum 90° supply conductors.
- NOTICE:** Specifications and dimensions subject to change without notice.
- NOTICE:** Suitable for Dry or Damp location.