

## Homeowner Maintenance Guide

For Panasonic Energy Recovery Ventilators (ERV's)

Intelli-Balance® 100  
Intelli-Balance® 200

### Intelli-Balance® 100

FV-10VEC2 (Cold Climate)  
FV-10VE2 (Temperate Climate)



### Intelli-Balance® 200

FV-20VEC1: Energy Recovery Ventilator (ERV)



Thank you for purchasing a new Panasonic Intelli-Balance Energy Recovery Ventilator (ERV), a smart investment for your healthy home.

### Benefits of a Panasonic ERV in your home



Continuously expels stale, polluted air and moisture from the home while supplying fresh filtered air from outdoors



An ideal indoor air quality solution that helps you breathe well and maintain a healthy home



Helps your builder comply with the latest green building codes and ventilation standards

# Homeowner Controllable BOOST Function

When large gatherings require more ventilation, Intelli-Balance's BOOST function provides increased airflow. With the flip of a switch, fan speed is set to HIGH and two DC motors BOOST output power, delivering increased ventilation on demand.

**NOTE:** When using an automated or timed switch, BOOST function will shut off automatically when cycle is complete. When using a standard wall switch, switch must be manually turned off when BOOST is no longer needed.

## Filter Maintenance

Intelli-Balance filter maintenance and replacement can be easily performed by the homeowner in just a few minutes. See illustrations for guidance.

- Convenient indicator light and unobtrusive alarm signal from access panel and/or notification on the LCD wall control (IB-200 only), inform you when it's time to inspect and clean filters.
- Two (2) filters clean the outgoing and incoming air before passing through the ERV core, extending the life of the core.
- Hinged access panel allows for easy filter inspection and replacement.
- Return air filter should be vacuumed with a soft brush attachment every 2-3 months or as needed.
- Outside Air (white paper) filter should be inspected every 90 days and replaced every six months to maintain peak performance (see replacement part numbers below)

## Replacement Filters

Outside Air Replacement Filters for Intelli-Balance 100	
Part number	Description
FV-FL0810VE1	MERV 8 filter for IB-100
FV-FL1310VE1	MERV 13 filter for IB-100

**NOTE:**

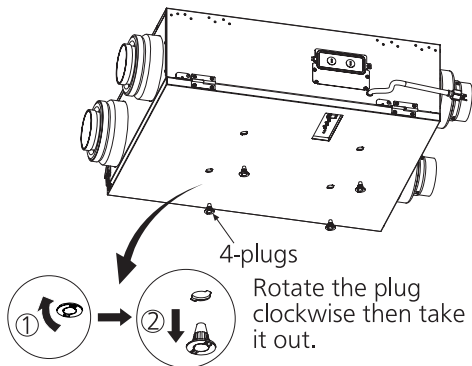
MERV 8 filter included with IB-100  
MERV 13 filter included with IB-200

Outside Air Replacement Filters for Intelli-Balance 200	
Part number	Description
FV-FL0820VE1	MERV 8 filter for IB-200
FV-FL1320VE1	MERV 13 filter for IB-200
FV-FLHP20VE1	HEPA filter for IB-200 only

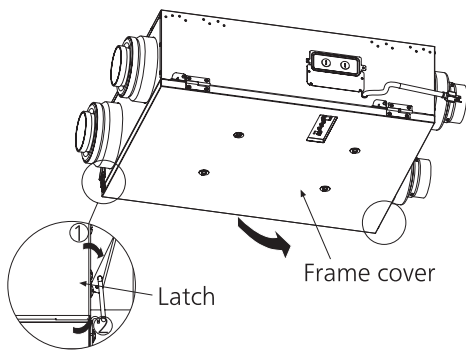
Accessories sold separately. Purchase online or through your local HVAC, electrical or plumbing supply store. Find a dealer [here](http://easylocator.net/search/map3/VentFans)

# Intelli-Balance 100 Filter Maintenance

**NOTE:** There may be moisture in ERV after running long time in cold climate, please remove the 4 plugs on frame cover to discharge condensation before opening the frame cover.

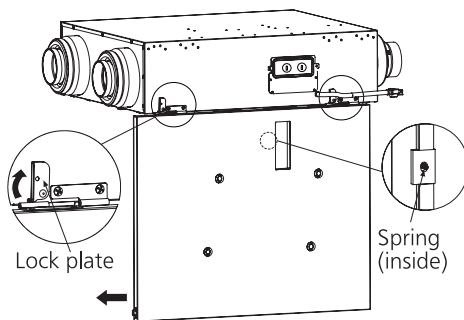


- 1 Disconnect power by switching off main switch first, then unplug the power plug before working on unit when it is in default mode.

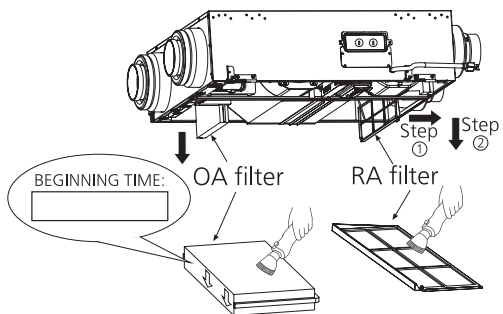


- 2 Open the frame cover by unlocking the latches.

**NOTE:** If not convenient for maintenance, you can also turn the lock plate 90° and remove the frame cover. There is a spring on the inside of the frame cover, please do not damage or deform it, otherwise, the ERV may not operate.

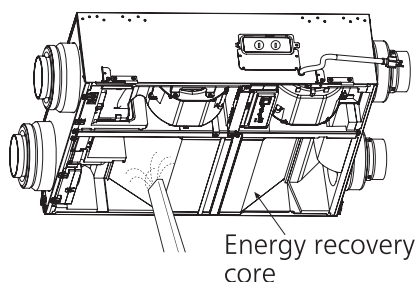


- 3 Remove Outside Air (white paper) filter and Return Air (black resin) filter to clean with vacuum cleaner.

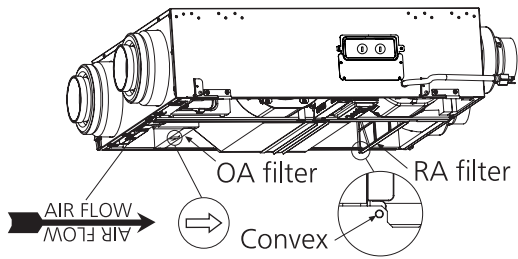


**NOTE:** It is suggested to replace the Outside Air (white paper) filter every 6 months. Please fill in beginning time on new Outside Air (white paper) filter before replacing. Please replace Outside Air (white paper) filter by Panasonic Model FV-FL0810VE1 or FV-FL1310VE1.

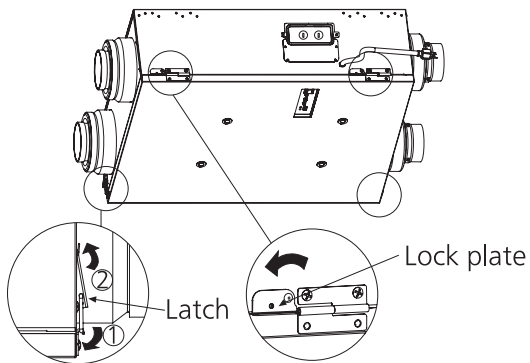
- 4 Clean energy recover core with vacuum cleaner.



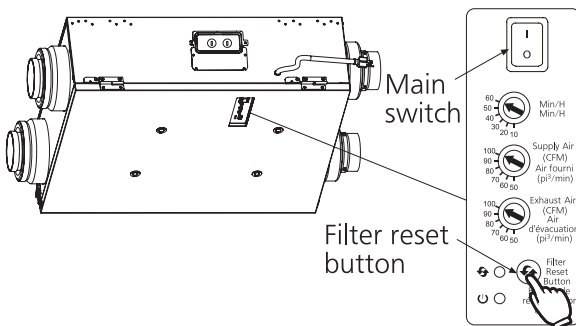
# Intelli-Balance 100 Filter Maintenance



- 5** Replace the Outside Air (white paper) and Return Air (black resin) filters. Make sure the Return Air (black resin) filter adapts to the convex and the direction of the arrow on the Outside Air (white paper) filter is in the same direction as the air flow displayed on the nearby label.

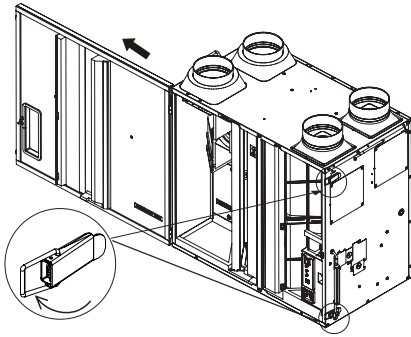


- 6** Reinstall and close frame cover by locking the latches, then reset the lock plate.



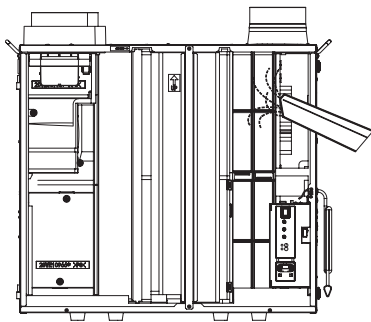
- 7** After re-connecting power, and turning on main switch, press the filter reset button about 3 seconds to reset run timer.

# Intelli-Balance 200 Filter Maintenance



**1** Disconnect power by switching off main switch first, then unplug the power plug before working on unit when it is in default mode.

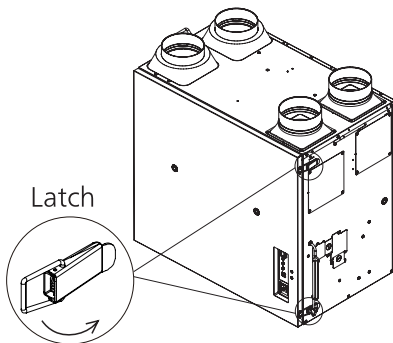
**2** Open the frame cover by unlocking the latches.



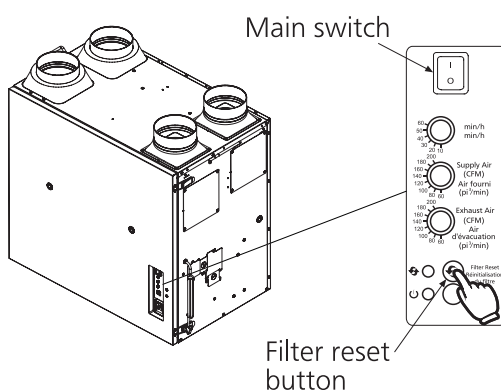
**3** Remove Outside Air (white paper) filter and Return Air (black resin) filter to clean with vacuum cleaner.

**NOTE:** The replaceable Outside Air (white paper) filter should be inspected or changed every 90 days. The Outside Air (white paper) filter may need to be replaced more frequently depending on Outside Air (white paper) conditions. The washable return air filter should be inspected and cleaned every 90 days. Please replace Outside Air (white paper) filter by Panasonic Model FV-FL0820VE1, FV0FL1320VE1 or FV-FLHP20VE1.

**4** Clean Outside Air (white paper) filter and Return Air (black resin) filter with vacuum cleaner.



**5** Reinstall and close frame cover by locking the latches.



**6** After re-connecting power, and turning on the main switch, press the filter reset button about 3 seconds to reset run timer.



## CAUTION

- ⚠ Electric shock may result. Disconnect power by switching off main switch first, then unplug the power plug before working on unit when it is in default mode.
  - ⚠ Electric shock may result. Disconnect power by switching off wall switch first, then main switch and unplug the power plug before working on unit when replacing the jumper cable with wall switch.
  - ⚠ Routine maintenance must be performed every 2 or 3 months, clogged filters may cause condensation on the unit due to air flow reduction.
  - ⚠ Please wear gloves to avoid pinching fingers during maintenance.
  - ⚠ Please pay attention to dust, condensation, debris or parts that may drop down when the frame cover is opened.
  - ⊘ Never use petrol, benzene, thinner or any other such chemicals to clean the ERV.
  - ⊘ Do not allow water to enter ERV.
  - ⊘ Do not immerse resin parts in water over 140 °F (60 °)
  - ⊘ Do not clean the Outside Air filter with water.
- 

---

**Panasonic**

**Panasonic**  
**IAQ Division**  
Two Riverfront Plaza, Newark, NJ 07102  
[na.panasonic.com/us/iaq](http://na.panasonic.com/us/iaq)

**For Order Information**  
PHONE: 866-292-7299  
FAX: 888-553-0723  
[na.panasonic.com/us/iaq](http://na.panasonic.com/us/iaq)