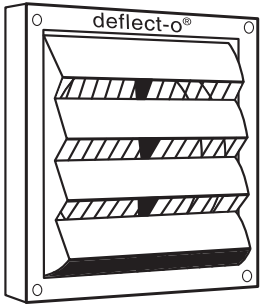
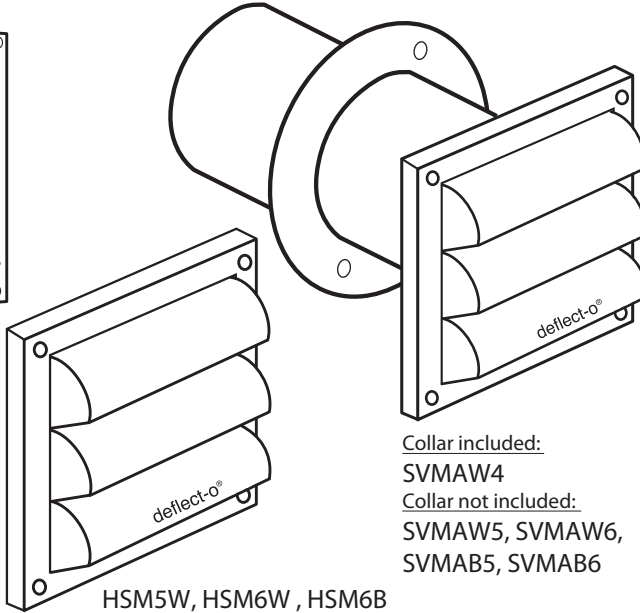


### Fresh Air Intake with Molded Plastic Grid and Fixed Louvers

- 4" (10.2cm), 5" (12.7cm), 6" (15.2cm) Louvered Vent Hood only
- 4" (10.2cm) Louvered Vent Hood with Pipe and Collar



HSM4W/24, HSM4B/24  
Hood Only



HSM5W, HSM6W, HSM6B  
Hood Only

Collar included:  
SVMAW4  
Collar not included:  
SVMAW5, SVMAW6,  
SVMAB5, SVMAB6

Model No.	Description	Color
HSM4W/24	Hood w/fixed louvers	White
HSM4B/24	Hood w/fixed louvers	Brown
SVMAW4	Hood/pipe/collar assembled	White
SVMAB4	Hood/pipe/collar assembled	Brown
SVMAB414	Hood/pipe assembled	Brown
SVMAW414	Hood/pipe assembled	White
SVMAW5	Hood/pipe assembled	White
SVMAW6	Hood/pipe assembled	White
SVMAB5	Hood/pipe assembled	Brown
SVMAB6	Hood/pipe assembled	Brown
HSM5W	Hood w/fixed louvers	White
HSM6W	Hood w/fixed louvers	White
HSM6B	Hood w/fixed louvers	Brown

### Performance Data

for all plastic molded fresh air intake vents

#### Hood

- Calcium filled Polypropylene
- Melting point: 325° F+
- UV Inhibitor added

#### Pipe

- Aluminum

#### Collar

- Styrene

### Technical Data

#### • Free Air

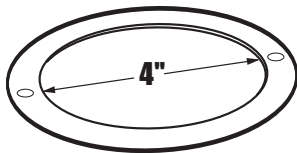
- 4" (10.2cm) dia. = 12 sq.in (77 sq.cm)
- 5", 6" dia. = 20 & 28 sq.in (129 sq.cm)

#### • Protective Grid Size

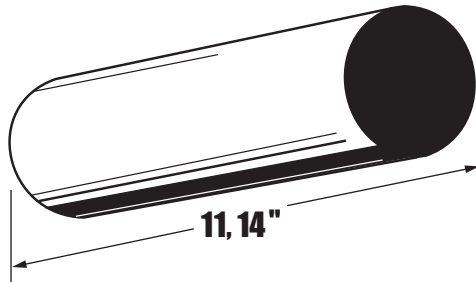
- 4" (10.2cm) dia. = protective grid on each stationary louver
- 5", 6" dia. = protective grid on back - 1/2" (12.7cm) sq. openings

### General Information

- Stationary molded plastic louvers
- quick, easy installation
- plastic furnace fresh air intakes come with a molded screen to help prevent birds and rodents from entering
- durable weather resistant

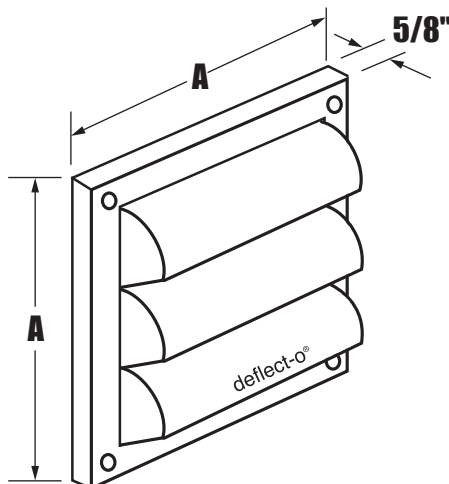


Plastic collar  
(SVMAW4 SVMAB4 only)



Model No.	A	B	C
HSM4W/24	6"	5 1/2"	4"
HSM4B/24	6"	5 1/2"	4"
SVMAW4	6"	5 1/2"	4"
HSM5W	8"	7 1/2"	5"
HSM6W	8"	7 1/2"	6"
HSM6B	8"	7 1/2"	6"
SVMAW5	8"	7 1/2"	5"
SVMAB5	8"	7 1/2"	5"
SVMAW6	8"	7 1/2"	6"
SVMAB6	8"	7 1/2"	6"

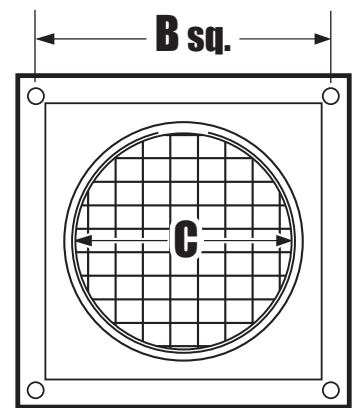
SVMAB414 Pipe = 14"  
SVMAW414 Pipe = 14"



Molded for easy connection of pipe



Side View



Rear View