

AirCycler® g1

Furnace Fan Timer w/Optional Motorized Damper Control

The AirCycler® g1 Furnace Fan Timer is a smart, simple solution for achieving whole house supply ventilation. Both energy efficient and cost effective, the AirCycler® g1 integrates with the existing central furnace fan and ductwork to deliver fresh air throughout the home at the same time that the home is heating or cooling. By working in conjunction with the already operation HVAC system, the AirCycler® g1 results in significant energy savings over other supply ventilation solutions.



Features & Benefits

- Helps meet ASHRAE 62.2 ventilation standards
- Direct replacement for the AirCycler® FRV (see reverse)
- Patented algorithm provides increased energy efficiency
- Simple installation and programming

Available add-ons include TempGuard™ Temperature Sensors (Hot and Cold) and RangeRelief Rangehood Pressure Switch

Product Details

The AirCycler® g1 is a furnace fan timer and ventilation controller with an output for operating a motorized fresh air damper*. This system provides whole house supply ventilation through central furnace fan integration.

During installation, ventilation requirements are set by entering the *measured airflow* and *airflow required by code (Calculated Flow Setup)*, or by entering the *desired amount of ventilation per hour (Calculated Time Setup)*. The AirCycler® g1 is integrated with the central furnace fan so that any time the central fan turns on to provide heating or cooling, the AirCycler® g1 opens a motorized fresh air damper. The fresh air is then distributed uniformly throughout the home through the existing ductwork. Once the ventilation requirements are met, the fresh air damper is closed to prevent over-ventilation.

Through a patented algorithm, the AirCycler® g1 logs the ventilation time elapsed during heating or cooling cycles and compares it with the total ventilation requirements set. The AirCycler® g1 then calculates whether or not hourly requirements have been met. If not, the AirCycler® g1 will power on the central fan and open the motorized damper until reaching the required ventilation. By utilizing the already operating furnace fan and bringing in fresh air during heating or cooling calls, and by not operating the furnace fan continuously, the AirCycler® g1 system offers significant energy savings over other supply ventilation solutions.

Available with the AirCycler® g1 are our TempGuard™ Temperature Sensors for monitoring outside air temperature - hot or cold - during ventilation and RangeRelief Rangehood Pressure Relief Switch for solving depressurization issues. See reverse for part numbers

* Combine the AirCycler® g1 controller with a motorized damper for the AirCycler® g1-D Whole House Ventilation System (Part no. ACG1-D).



www.AirCycler.com | info@aircycler.com

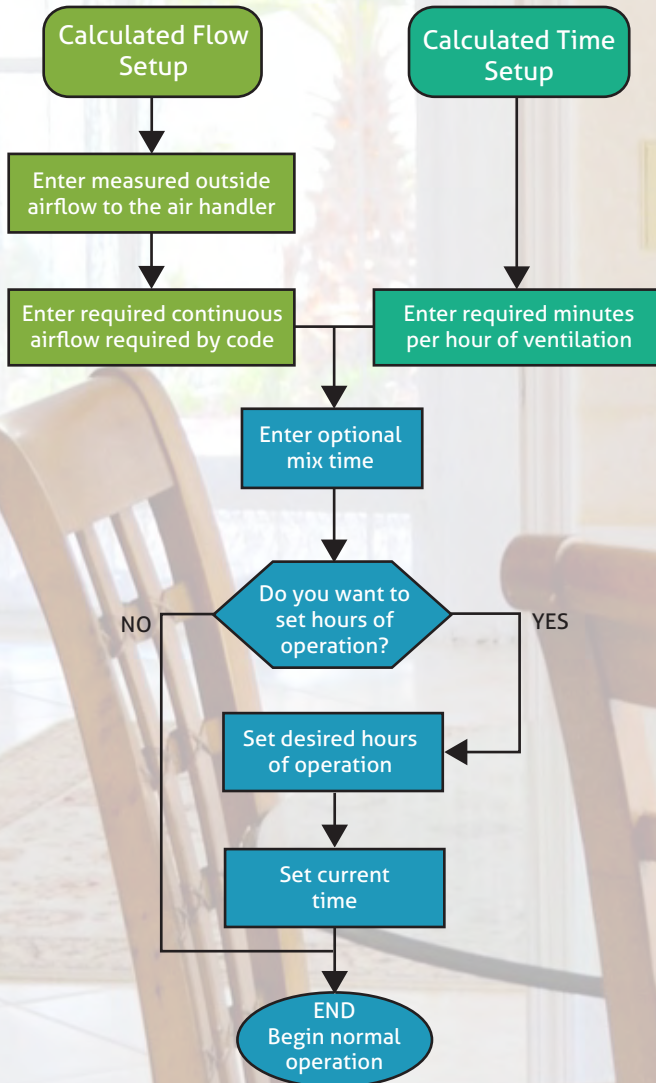
Two Setup Options

Calculated Flow

If you know the amount of fresh air that goes into the air handler as well as the flow required by code, you can simply enter them into the AirCycler® g1 controller during set up.

Calculated Time

If you'd prefer to configure the amount of time you want fresh air ventilation per hour, you can enter the total minutes per hour into the AirCycler® g1.



Specifications

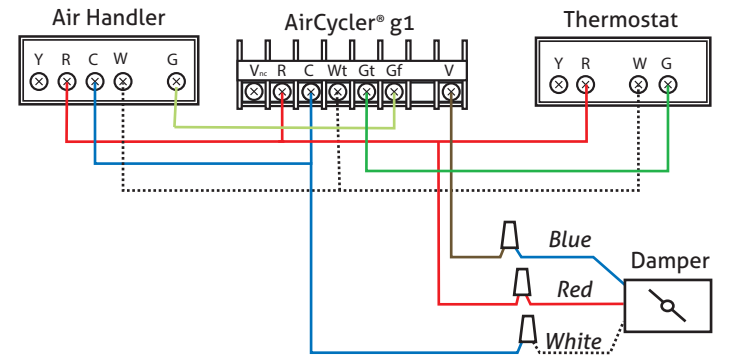
Operating Voltage: 24 VAC (up to 30 VAC max)

Current Draw: 0.07 Amps

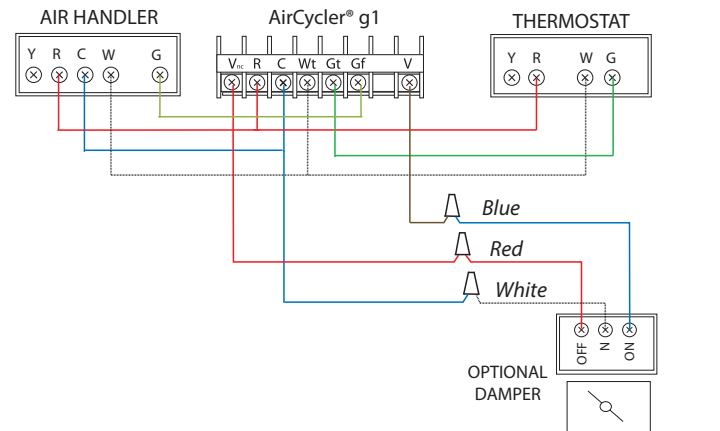
Two Setup Options: Calculated Time or Calculated CFM

Optional Damper: 24VAC (up to 30 VAC max)

Wiring Diagram

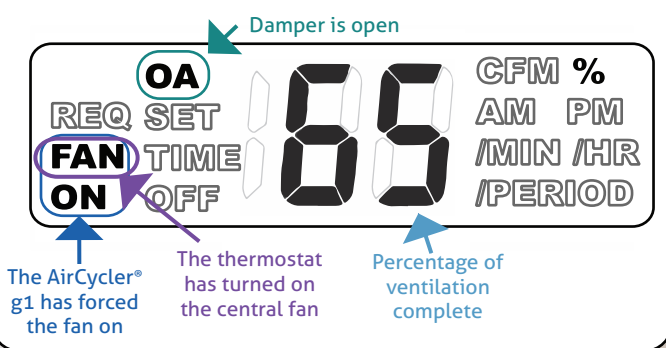


DAMPER PART # FAD



DAMPER PART # MVCD

Normal Operation Display



Part No:	Description:
AC-G1	AirCycler® g1 Controller
AC-G1D-04	AirCycler® g1 Controller + 4" Motorized Damper
AC-G1D-06	AirCycler® g1 Controller + 6" Motorized Damper
AC-G1D-08	AirCycler® g1 Controller + 8" Motorized Damper
AC-G1D-10	AirCycler® g1 Controller + 10" Motorized Damper
AC-TG-C02	TempGuard™ Cold Temperature Sensor
AC-TG-H01	TempGuard™ Hot Temperature Sensor
AC-RR	RangeRelief Rangehood Pressure Relief Switch