

RangeRelief™

Rangehood Pressure Relief Control Switch

The RangeRelief™ Rangehood Pressure Relief Control Switch works with any AirCycler® motorized damper-based system to provide automatic rangehood pressure relief. By simply pairing the RangeRelief™ Pressure Switch with a motorized damper, RangeRelief will open the damper allowing make up air to enter as soon as the rangehood is turned on. When installed with an AirCycler® controller, rangehood use can be counted toward the overall whole house ventilation requirement for the home.



Features & Benefits

- Simple, low cost solution for solving high flow rangehood depressurization issues
- Compatible with any AirCycler® motorized damper-based system
- Adjustable over a wide-range of pressure, 20-200 Pa
- Easy two wire installation

| Part No: | Description: |
|----------|--|
| ACRR | RangeRelief Rangehood Pressure Relief Control Switch |
| ACRR-6 | RangeRelief Rangehood Pressure Relief Control Switch & AirCycler® 6" motorized damper |
| ACRR-4 | RangeRelief Rangehood Pressure Relief Control Switch & AirCycler® 4" motorized damper |
| ACRR-8 | RangeRelief Rangehood Pressure Relief Control Switch & AirCycler® 8" motorized damper |
| ACRR-10 | RangeRelief Rangehood Pressure Relief Control Switch & AirCycler® 10" motorized damper |



Specifications

Max Operating Pressure
10kPa

Pressure Range
20 ~ 200 Pa ±15%

Operating Temperature
-40°C to 85°C

Electrical Rating
1.5A (0.4A) / 250V

Mounting
Diaphragm in any vertical plane



RangeRelief Wiring Options

Typically, the RangeRelief is installed with the full AirCycler® motorized damper-based system, which includes a motorized damper and AirCycler® furnace fan controller. The controller supplies the power to the motorized damper.

If you are installing the RangeRelief without an AirCycler® furnace fan controller, we recommend using a standard 24VAC transformer such as a doorbell transformer to power the motorized damper. See wiring options below.

OPTION 1:

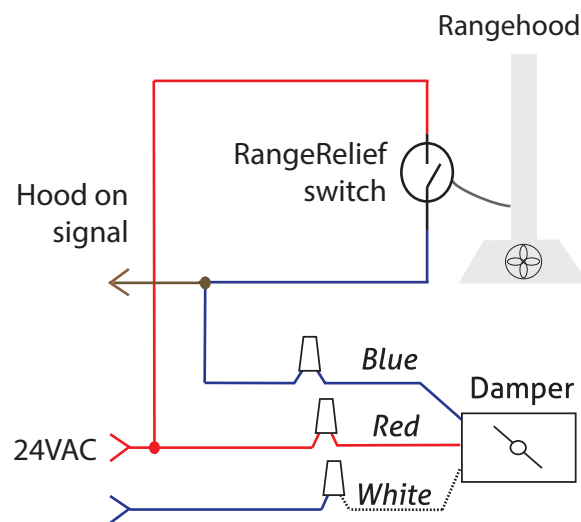
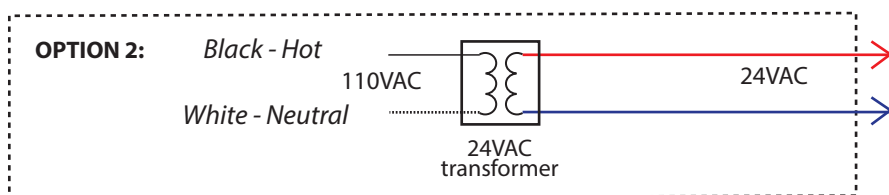
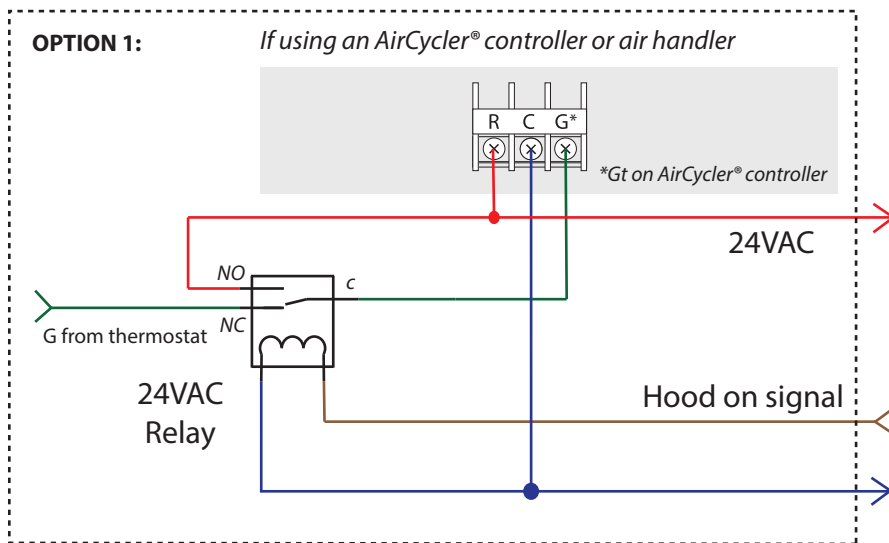
Use a standard SPDT 24VAC relay to force on the air handler fan and open a motorized damper any time the range hood is turned on. This is a balanced ventilation solution.

If using an AirCycler® controller, that ventilation will count towards required ventilation time for that hour.

If not using an AirCycler® controller, connect common (C) terminal on relay to G terminal on air handler. Connect G terminal on thermostat to normally closed (NC) contact on relay and connect 24VAC (R) to normally open (NO) terminal on relay. Relay is energized along with damper from Hood On Signal when range hood is detected on.

OPTION 2:

Use a standard 24VAC transformer such as a door bell transformer to power the motorized damper. Any time the range hood is turned on, the motorized damper will open, providing make up air to the space.



| KEY | |
|-----------------|----------------|
| R - 24VAC Power | Hood On Signal |
| C - Common | |