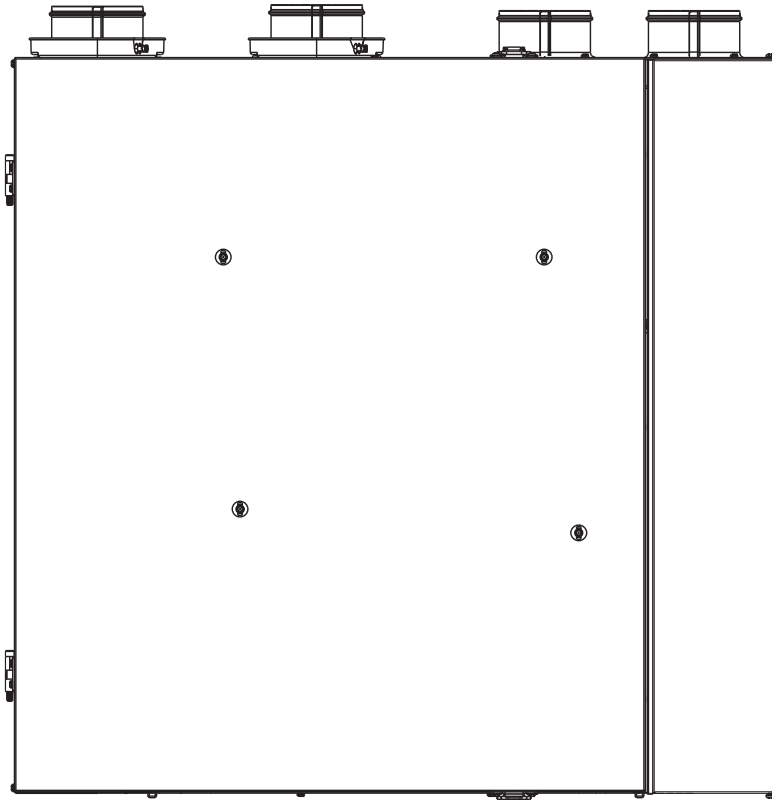


BROAN®

INSTALLATION GUIDE



VB0185

IN THIS REVISION:
New information about
extended defrost setting on
page 16.

IMPORTANT NOTES

1. The one and only main wall control compatible with these units is the VT9W wall control.
2. These units have a new balancing procedure, see Section 7.
3. The terminal connectors for these units are not in the installation kit; they are already mounted to their control board.

ERV200 ECM
ERV250 ECM

HRV200 ECM
HRV250 ECM



These products earned the ENERGY STAR® by meeting strict energy efficiency guidelines set by Natural Resources Canada and the US EPA. They meet ENERGY STAR requirements only when used in Canada.

△ RESIDENTIAL USE ONLY △

READ AND SAVE THESE INSTRUCTIONS

Broan-NuTone LLC; Hartford, Wisconsin www.broan-nutone.com 800-558-1711

REGISTER YOUR PRODUCT ONLINE AT: www.broan-nutone.com/register

For additional information - visit www.broan-nutone.com



7 72371 13552 9

21992 rev. 04

ABOUT THIS GUIDE

Because of the large amount of models covered in this publication, the illustrations are typical ones. Some details of your unit may be slightly different than the ones shown.

Please take note that this guide uses the following symbols to emphasize particular information:

WARNING

Identifies an instruction which, if not followed, might cause serious personal injuries including possibility of death.

CAUTION

Denotes an instruction which, if not followed, may severely damage the unit and/or its components.

NOTE: Indicates supplementary information needed to fully complete an instruction.

ABOUT THESE UNITS

LIMITATION

For residential (domestic) installation only. Installation work and electrical wiring must be done by a qualified person(s) in accordance with all applicable codes and standards, including fire-rated construction codes and standards.

WARNING

TO REDUCE THE RISK OF FIRE, ELECTRIC SHOCK, OR INJURY TO PERSON(S) OBSERVE THE FOLLOWING:

1. Use this unit only in the manner intended by the manufacturer. If you have questions, contact the manufacturer at the address or telephone number listed in the warranty.
2. We recommend that your unit be inspected by a specialized technician once a year.
3. Before servicing or cleaning the unit, disconnect power cord from electrical outlet.
4. This unit is not designed to provide combustion and/or dilution air for fuel-burning appliances.
5. When cutting or drilling into wall or ceiling, do not damage electrical wiring and other hidden utilities.
6. Do not use the units with any solid-state speed control device other than the corresponding ones listed below:

UNIT	MAIN CONTROL	AUXILIARY CONTROL
ERV200 ECM, ERV250 ECM, HRV200 ECM, HRV250 ECM	VTW9 EXCLUSIVELY	VB60W

7. This unit must be grounded. The power supply cord has a 3-prong grounding plug for your personal safety. It must be plugged into a mating 3-prong grounding receptacle, grounded in accordance with the national electrical code and local codes and ordinances. Do not remove the ground prong. Do not use an extension cord.
8. Do not install in a cooking area or connect directly to any appliances.
9. Do not use to exhaust hazardous or explosive materials and vapors.
10. When performing installation, servicing or cleaning these units, it is recommended to wear safety glasses and gloves.
11. Due to the weight of the unit, two installers are recommended to perform installation.
12. When applicable local regulations comprise more restrictive installation and/or certification requirements, the aforementioned requirements prevail on those of this document and the installer agrees to conform to these at his own expenses.

CAUTION

1. To avoid premature clogged filters, turn OFF the unit during construction or renovation.
2. Please read specification label on product for further information and requirements.
3. Be sure to duct air outdoors – Do not intake/exhaust air into spaces within walls or ceiling or into attics, crawl spaces, or garage.
4. Intended for residential installation only in accordance with the requirements of NFPA 90B (for a unit installed in USA).
5. Do not run any air ducts directly above or closer than 2 ft (0.61 m) to any furnace or its supply plenum, boiler, or other heat producing appliance. If a duct has to be connected to the furnace return plenum, it must be connected not closer than 9' 10" from this plenum connection to the furnace.
6. The ductwork is intended to be installed in compliance with all applicable codes.
7. When leaving the house for a long period of time (more than two weeks), a responsible person should regularly check if the unit operates adequately.
8. If the ductwork passes through an unconditioned space (e.g.: attic), the ducts must be insulated, and the unit must operate continuously except when performing maintenance and/or repair. Also, the ambient temperature of the house should never drop below 65°F.

TECHNICAL SUPPORT

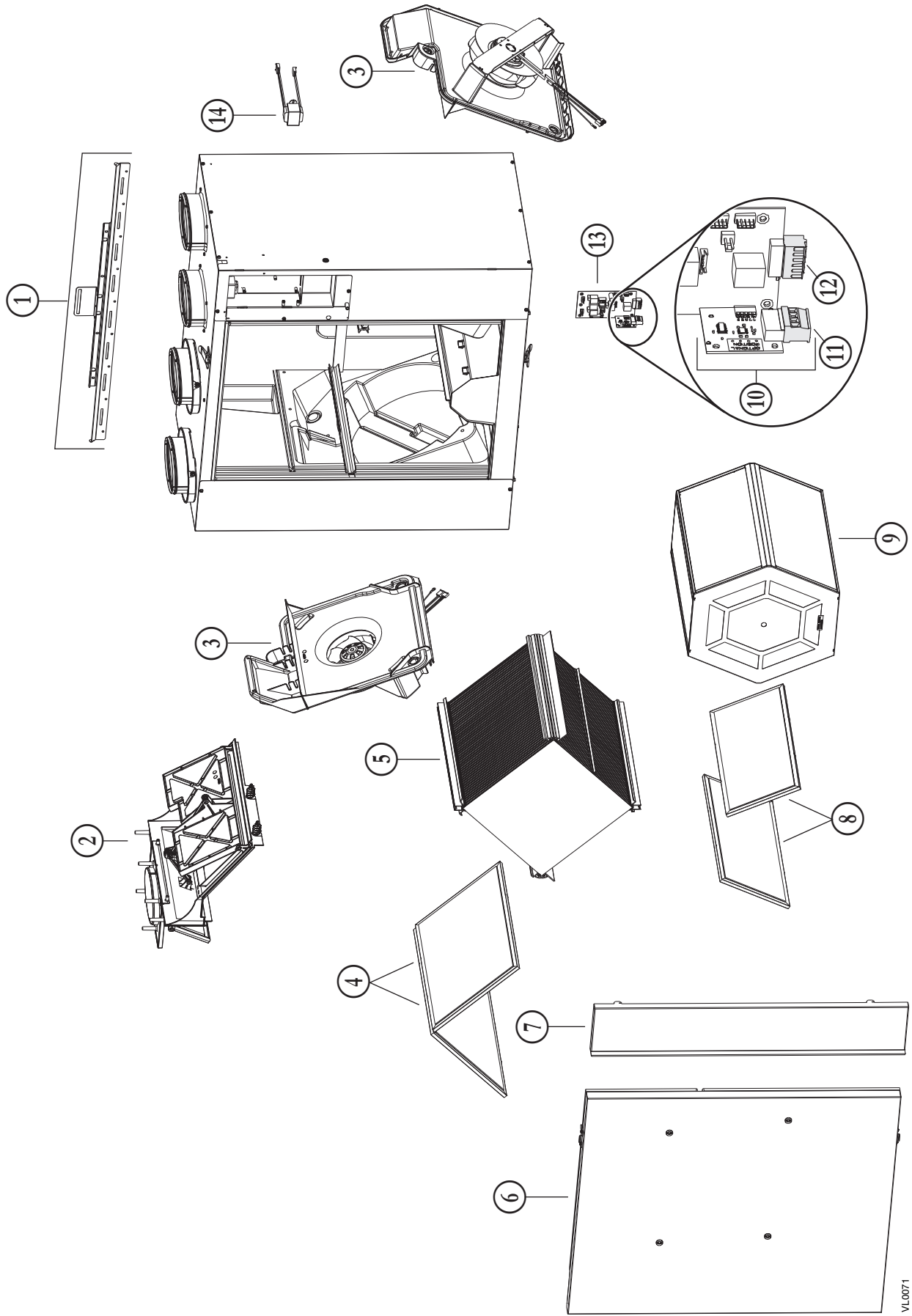
FOR ASSISTANCE, CALL ON WEEKDAYS, 8:30 AM TO 5:00 PM (EASTERN STANDARD TIME): 1-800-558-1711.

NOTE: THIS PHONE NUMBER IS STRICTLY RESERVED FOR INSTALLERS USE ONLY. Do not call this number for ordering parts.

TABLE OF CONTENTS

1. SERVICE PARTS.....	4-5
2. AIR DISTRIBUTION	6
3. INSTALLATION.....	6-12
3.1 INSPECT THE CONTENT OF THE BOX	6
3.2 LOCATING THE UNIT	6-7
3.3 PLANNING OF THE DUCTWORK	8
3.4 DUCT SIZE	8
3.5 INSTALLING THE DUCTWORK AND REGISTERS	8-10
3.6 CONNECTING THE DUCTS TO THE UNIT	11
3.7 INSTALLING TWO EXTERIOR HOODS	12
3.8 CONNECTING THE DRAIN	12
4. CONTROLS.....	13-16
4.1 UNITS BOOTING SEQUENCE	13
4.2 WALL CONTROL(S) ELECTRICAL CONNECTION	13-15
4.3 SETTING UNIT OPERATION IN THE REMAINING 40 MINUTES ON 20 MIN/H MODE AND SETTING UNIT DEFROST CYCLE TYPE USING VT9W MAIN WALL CONTROL.....	16
5. ELECTRICAL CONNECTION TO THE FURNACE	17
6. WIRING DIAGRAM.....	18
7. BALANCING THE UNIT.....	19-24
7.1 WHAT YOU NEED TO BALANCE THE UNIT	19
7.2 PRELIMINARY STAGES TO BALANCE THE UNIT.....	19
7.3 USING MAGNEHELIC GAUGES.....	19
7.4 BALANCING CHART AND PRESET SPEEDS TABLE	19-20
7.5 BALANCING PROCEDURE	21-24
8. TROUBLESHOOTING.....	25-27

1. SERVICE PARTS



1. SERVICE PARTS (CONT'D)

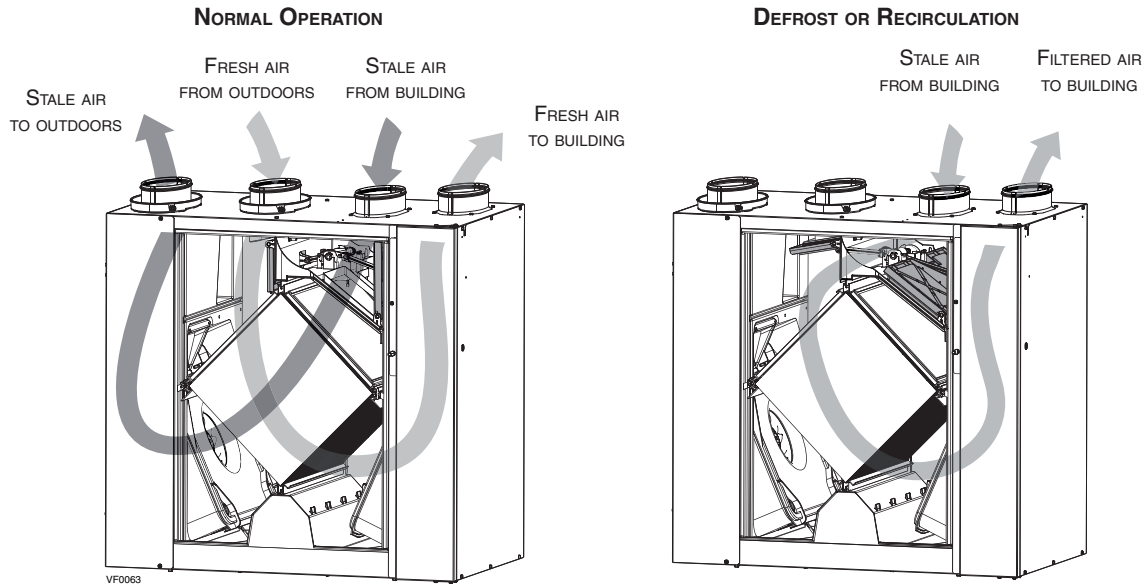
No.	DESCRIPTION	QTY.	ERV200 ECM	HRV200 ECM	ERV250 ECM	HRV250 ECM
1	BRACKET KIT	1	SV63419	SV63419	SV63419	SV63419
2	DAMPER SYSTEM ASSEMBLY (INCLUDING 2 PLASTIC SCREWS)	1	SV63420	SV63420	SV63420	SV63420
3	BLOWER ASSEMBLY (INCLUDING 3 PLASTIC SCREWS)	2	SV63421	SV63421	SV63421	SV63421
4	HRV CORE FILTER (PAIR)	1		SV63426		SV63426
	ERV CORE FILTER (PAIR)	1			SV63433	
5	HEAT RECOVERY CORE	1		SV63422		SV63423
	ENERGY RECOVERY CORE	1			SV63425	
6	DOOR ASSEMBLY (INCLUDING NO. 16)	1	SV63569	SV63569	SV63569	SV63569
7	RIGHT PANEL	1	SV63565	SV63566	SV63567	SV63568
8	ERV CORE FILTER (PAIR)	1	SV63427			
9	ENERGY RECOVERY CORE	1	SV63424			
10	DAUGHTER BOARD (INCLUDING INO. 11)	1	SV63437	SV63437	SV63437	SV63437
11	PCB CONNECTOR (MAIN CONTROL)	1	SV63434	SV63434	SV63434	SV63434
12	PCB CONNECTOR (AUXILIARY CONTROL)	1	SV63435	SV63435	SV63435	SV63435
13	PCB (INCLUDING NOS. 10 & 12)	1	SV63436	SV63441	SV63442	SV63443
14	TRANSFORMER	1	SV63438	SV63438	SV63438	SV63438
15	WARM SIDE THERMISTOR KIT*	1	SV62481	SV62481	SV62481	SV62481
16	DOOR MAGNETIC SWITCH*	1	SV19060	SV19060	SV19060	SV19060
17	PLASTIC SCREW (SET OF 6)*	1	SV63439	SV63439	SV63439	SV63439
18	HARDWARE KIT*	1	SV22488	SV22488	SV22488	SV22488

* Not shown.

REPLACEMENT PARTS AND REPAIR

In order to ensure your ventilation unit remains in good working condition, you must use the Broan-Nutone LLC genuine replacement parts only. The Broan-NuTone LLC genuine replacement parts are specially designed for each unit and are manufactured to comply with all the applicable certification standards and maintain a high standard of safety. Any third party replacement part used may cause serious damage and drastically reduce the performance level of your unit, which will result in premature failing. Broan-NuTone LLC recommends to contact a BRoan-NuTone LLC certified service depot for all replacement parts and repairs.

2. AIR DISTRIBUTION



3. INSTALLATION

3.1 INSPECT THE CONTENT OF THE BOX

Inspect the exterior of the unit for shipping damage. Ensure that there is no damage to the door, ports, power cord, etc.

3.2 LOCATING THE UNIT

Choose an appropriate location for the unit.

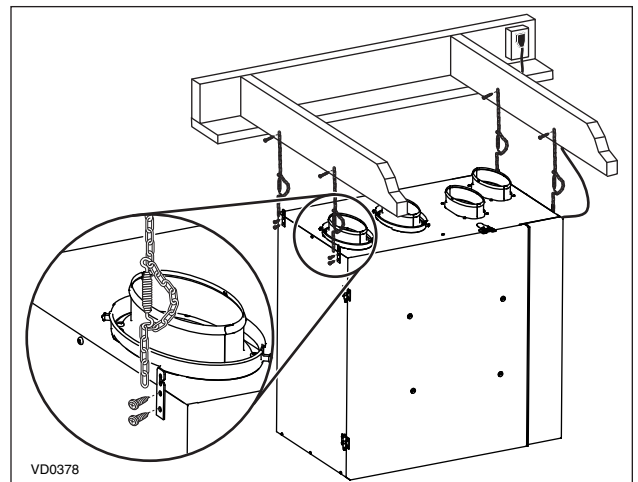
- Within an area of the house **where the ambient temperature is kept between 50°F and 104°F.**
- Away from living areas (dining room, living room, bedroom), if possible.
- So as to provide easy access to the interior of the unit, for regular and annual maintenance.

NOTE: There must be a 27" clearance in front of the unit to fully open the door. In limited space, the door can be removed by lifting it up, but there must be a 18" clearance in front of the unit to remove the core.

- Close to an exterior wall, so as to limit the length of the insulated flexible duct to and from the unit.
- Away from hot chimneys and other fire hazards.
- Allow for a power source (standard 3-prong grounding outlet).
- Close to a drain. If no drain is close by, use a pail to collect run-off.

The unit can be hung using provided 4 chains and springs (see at right) or hung to the wall using provided brackets (see next page).

UNIT HUNG BY CHAINS AND SPRINGS



CAUTION

In every case, make sure the unit is level.

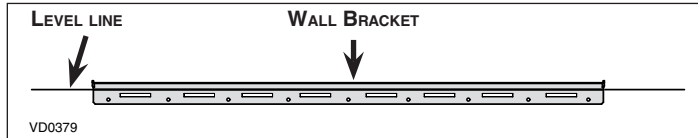
3. INSTALLATION (CONT'D)

3.2 LOCATING THE UNIT (CONT'D)

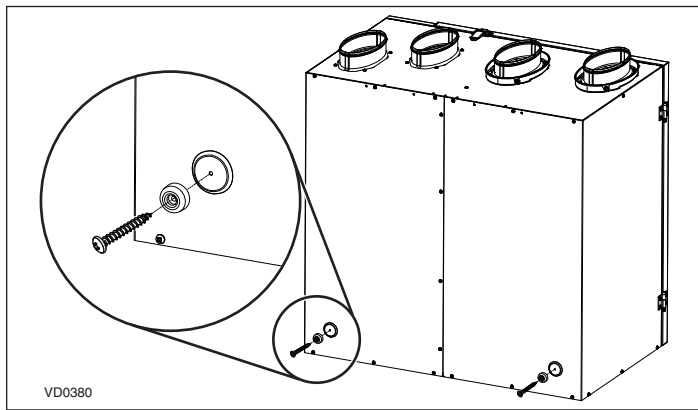
UNIT HUNG TO WALL BRACKET

Trace a level line on the wall; align the wall bracket (the longer one) to the line and secure this bracket to the wall using 4 provided screws (1½" long) and washers, if using the slots on bracket).

WARNING
Ensure the wall bracket is attached to all of the available studs, not into the drywall alone.



Using 1½" long provided screws, assemble both spacers to left and right back bottom corner of the unit.

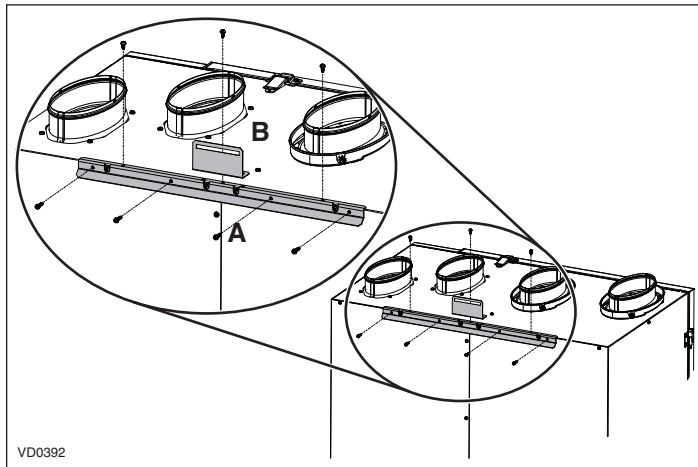


CAUTION
Never use an electric screwdriver or drill to screw the brackets to the unit; use a standard screwdriver.

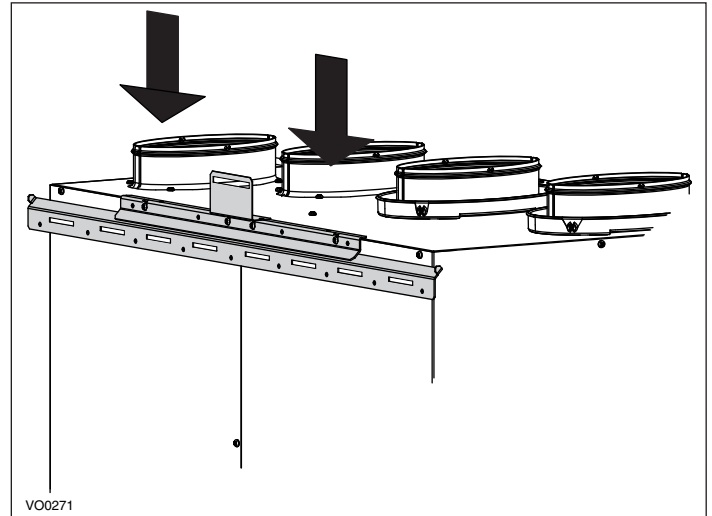


Using 3/8" long provided screws, mount the other bracket (A) to the back of the unit; start with the 4 back screws, then 2 screws on top left and right sides, then use the last center one to assemble the last small bracket (B).

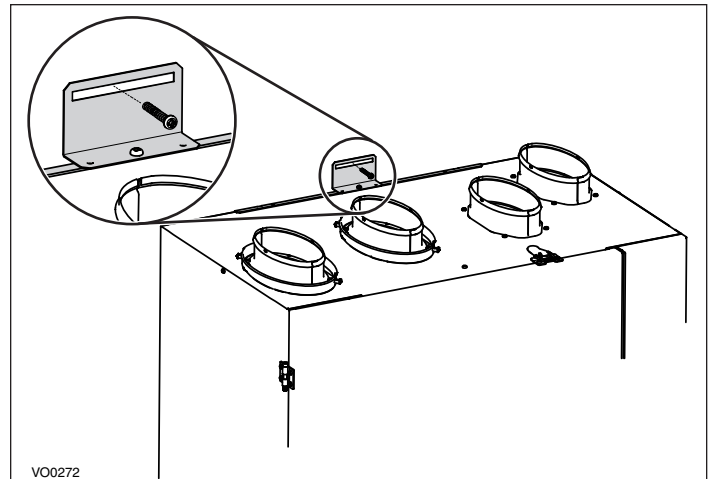
NOTE: These screws must be hand tightened.



Lift the unit and hang it to the wall bracket. Ensure the bracket assembled on back of the unit rests on the wall bracket.



Secure the unit to the wall using one 1½" long provided screw through the small bracket.



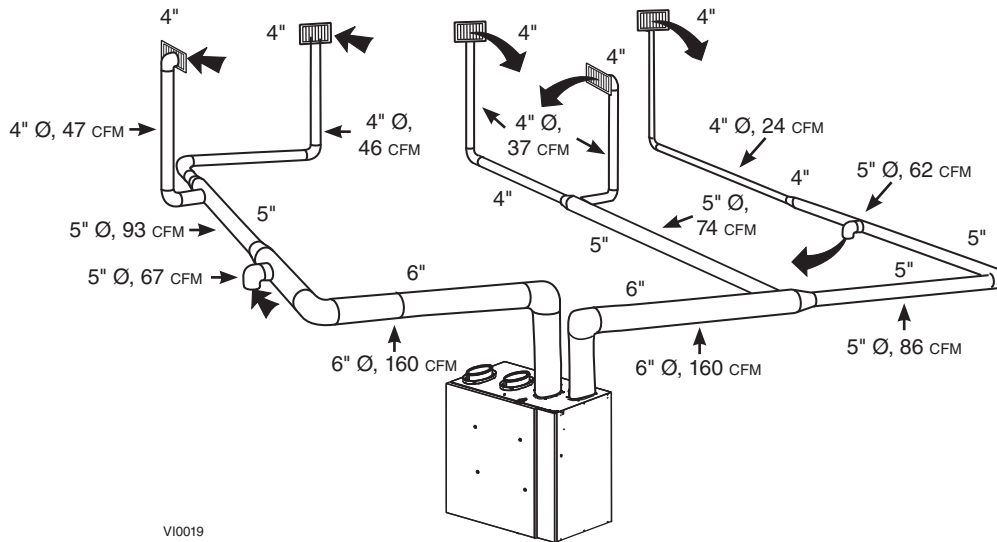
3. INSTALLATION (CONT'D)

3.3 PLANNING OF THE DUCTWORK

- Keep it simple. Plan for a minimum of bends and joints.
- Keep the length of insulated and non-insulated ducts to a minimum, because the length of the ductwork impacts directly the unit airflow performances.
- Do not ventilate crawl spaces or cold rooms. Do not attempt to recover the exhaust air from a dryer or a range hood. This would cause clogging of the filters and recovery module.
- If the house has two floors or more, be sure to plan for at least one exhaust register on the highest lived-in level.

3.4 DUCT SIZE

To determine the appropriate duct size to be used, refer to the ASHRAE or HRAI HANDBOOK. Below is an example of a design for a fully ducted system with a unit having a high speed performance of 160 cfm.



3.5 INSTALLING THE DUCTWORK AND REGISTERS

3.5.1 FULLY DUCTED SYSTEM

⚠ WARNING

Never install a stale air exhaust register in a closed room where a combustion device operates, such as a gas furnace, a gas water heater or a fireplace.

Stale air exhaust ductwork

- Install the stale air exhaust registers where the contaminants are produced: kitchen, living room, etc. Position the registers as far from the stairway as possible and in such a way that the air circulates in all the lived-in spaces in the house.
- If a register is installed in the kitchen, it must be located at least 4 feet from the range.
- Install the registers 6 to 12 inches from the ceiling on an interior wall OR install them in the ceiling.
- If possible, measure the velocity of the air flowing through the registers. If the velocity is higher than 400 ft/min, then the register type is too small. Replace with a larger one.

Fresh air distribution ductwork

- Install the fresh air distribution registers in bedrooms, dining rooms, living room and basement.
- Keep in mind that the fresh air registers must be located as far as possible from the stale air registers.
- Install the registers either in the ceiling or high on the walls with air flow directed towards the ceiling. (The cooler air will then cross the upper part of the room and mix with room air, before descending to occupant's level.)
- If a register must be floor installed, direct the airflow up the wall.

3. INSTALLATION (CONT'D)

3.5 INSTALLING THE DUCTWORK AND REGISTERS (CONT'D)

3.5.2 CENTRAL DRAW POINT SYSTEM

Stale air exhaust ductwork

Same as for Fully Ducted System, described on point 3.5.1

⚠ WARNING

When performing duct connections, always use approved tools and materials. Respect all corresponding laws and safety regulations. Please refer to your local building code.

CAUTION

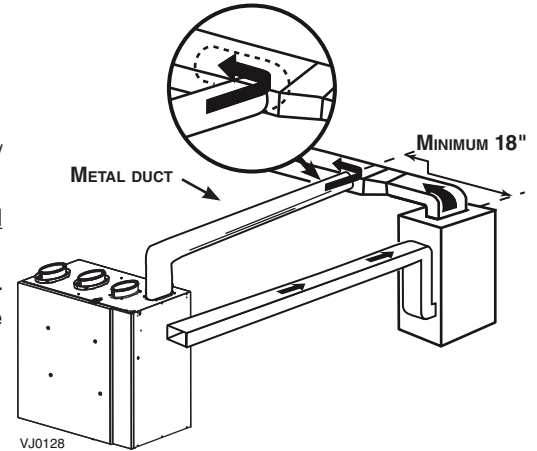
When performing duct connections to the furnace supply duct, this duct must be sized to support the additional airflow produced by the unit. Also, the use of metal duct is highly recommended.

Fresh air distribution ductwork

- There are 2 methods for connecting the unit to the furnace/air handler:

Method 1: Supply side connection

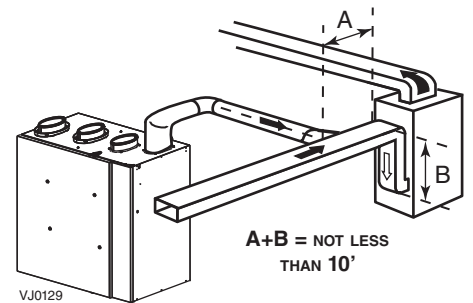
- Cut an opening into the furnace supply duct at least 18 inches from the furnace/air handler.
- Connect this opening to the **Fresh air distribution** port of the unit (use **metal duct**, see figure at right).
- Make sure the unit duct forms an elbow inside the furnace/air handler ductwork.
- If desired, interlock (synchronize) the furnace/air handler blower operation (see Section 5 ELECTRICAL CONNECTION TO THE FURNACE).



Method 2: Return side connection

- Cut an opening into the furnace return duct not less than 10 feet from the furnace/air handler (A+B).
- Connect this opening to the **Fresh air distribution** port of the unit (see figure at right).

NOTE: For Method 2, it is not essential that the furnace/air handler runs when the unit is operation, but we recommend it. If desired, interlock (synchronize) the furnace/air handler blower operation (see Section 5 ELECTRICAL CONNECTION TO THE FURNACE).



3. INSTALLATION (CONT'D)

3.5 INSTALLING THE DUCTWORK AND REGISTERS (CONT'D)

3.5.3 SIMPLIFIED INSTALLATION

⚠ WARNING

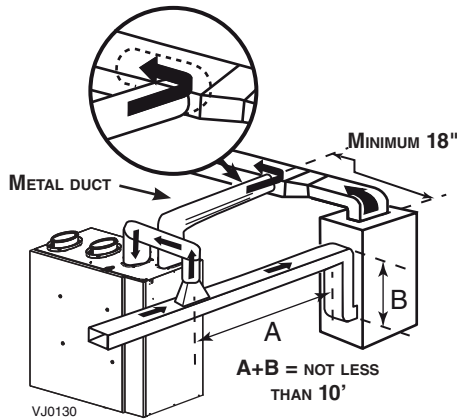
When performing duct connections, always use approved tools and materials. Respect all corresponding laws and safety regulations. Please refer to your local building code.

CAUTION

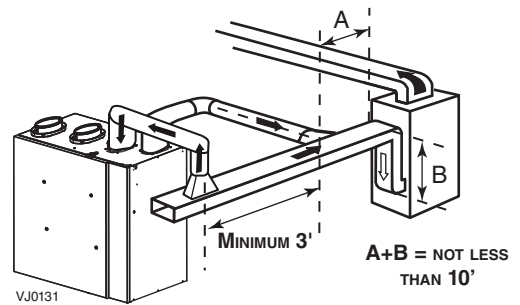
When performing duct connections to the furnace supply duct (Method 1), this duct must be sized to support the additional airflow produced by the unit. Also, the use of metal duct is highly recommended. For a Return-return installation, the furnace blower must be in operation when the unit is in operation.

There are 2 methods for connecting the unit to the furnace/air handler:

Method 1: Supply-return connection



Method 2: Return-return



Stale air intake

- Cut an opening into the furnace/air handler return duct not less than 10 feet from the furnace/air handler (A+B).
- Connect this opening to the **Exhaust air from building** port of the unit.

Fresh air distribution

- Same instructions as for Method 1 or Method 2, Section 3.5.2.

For Method 2 (Return-return), make sure there is a distance of at least 3 feet between the 2 connections to the furnace/air handler.

CAUTION

If using Method 2, make sure the furnace/air handler blower operation is synchronized with the unit operation! See Section 5.

NOTE: For Method 1, it is not essential to synchronize the furnace blower operation with the unit operation, but we recommend it.

3. INSTALLATION (CONT'D)

3.6 CONNECTING THE DUCTS TO THE UNIT

NOTE: All unit ports are created to be connected to ducts having a minimum of 6" diameter, but if need be, they can be connected to bigger sized ducts by using an appropriate transition (e.g.: 6" diameter to 7" diameter transition).

Insulated flexible ducts

Use the following procedure to connect the insulated flexible ducts to the ports of the unit (**Exhaust air to outdoors** and **Fresh air from outdoors** ports).

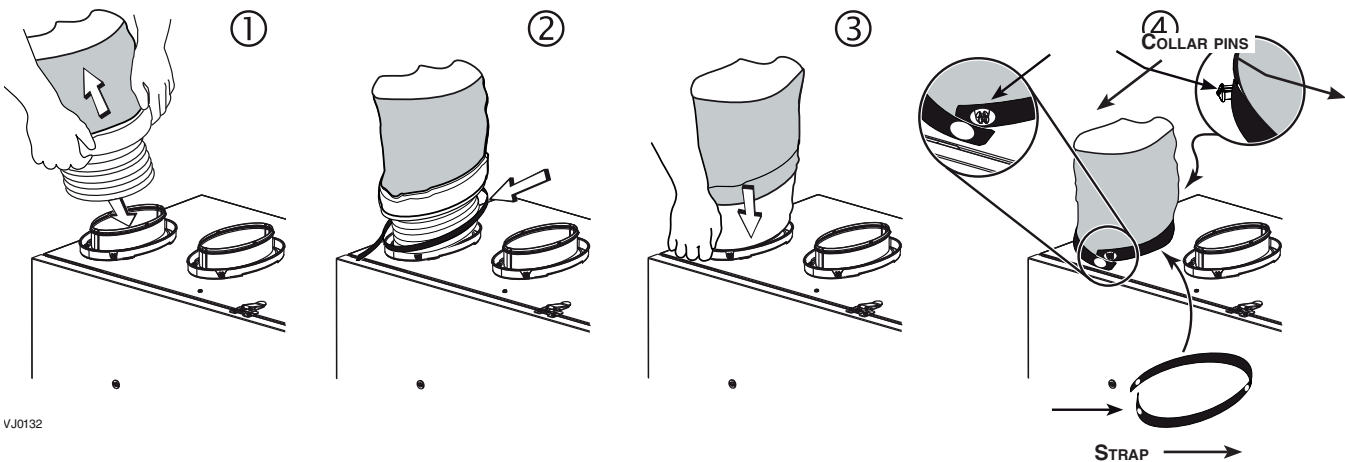
CAUTION

If ducts have to go through an unconditioned space (e.g.: attic), always use insulated ducts.

- ① Pull back the insulation to expose the flexible duct.
- ② Attach the flexible duct to the port using tie wrap.
- ③ Pull the insulation over the joint and tuck in between the inner and outer rings of the double collar.
- ④ Pull down the vapor barrier (shaded part in illustrations below) over the outer ring to cover it completely. Fasten in place the vapor barrier using the port strap (included in unit parts bag). To do so, insert one collar pin through vapor barrier and first strap hole, then insert the other collar pin through vapor barrier and center strap hole and close the loop by inserting the first collar pin in the last strap hole.

CAUTION

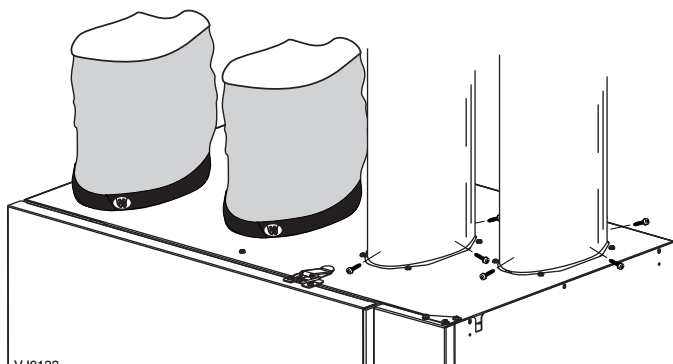
Make sure the vapor barrier on the insulated ducts does not tear during installation to avoid condensation within the ducts.



VJ0132

Non-insulated rigid ducts

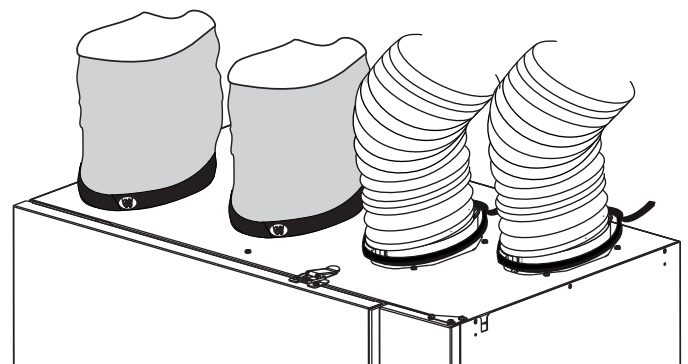
Use metal screws and duct tape to connect the rigid ducts to the unit ports.



VJ0133

Non-insulated flexible ducts

Use tie wraps to connect the flexible ducts to the unit ports.



3. INSTALLATION (CONT'D)

3.7 INSTALLING TWO EXTERIOR HOODS

Choose an appropriate location to install the exterior hoods:

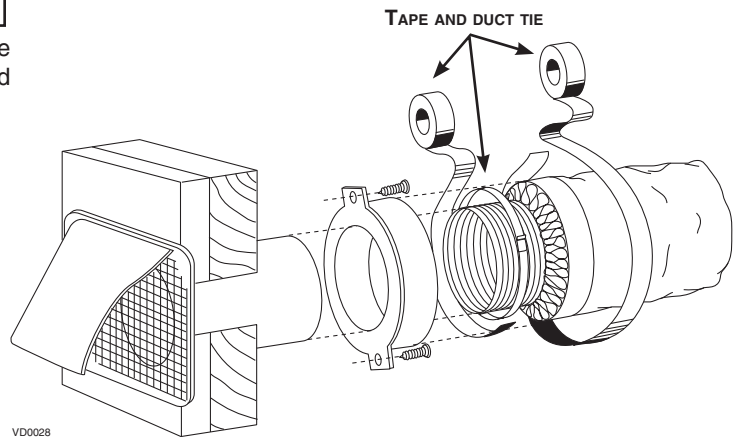
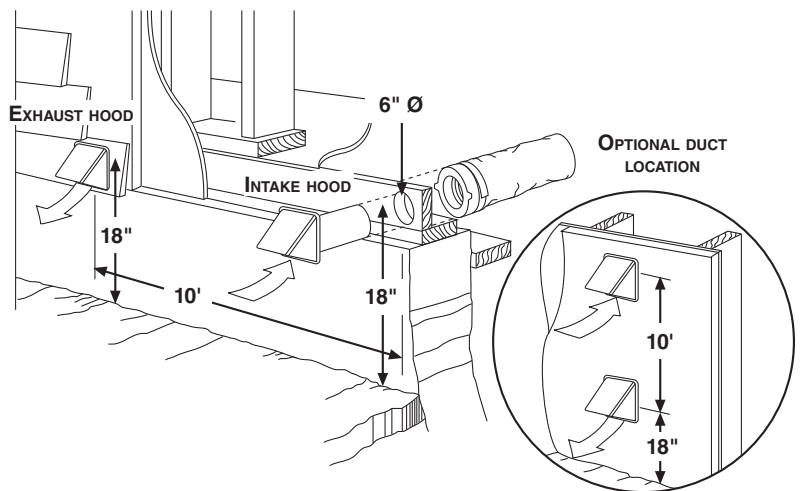
- There must be a minimum distance of 10 feet between the hoods to avoid cross-contamination.
- There must be a minimum distance of 18 inches from the ground.

⚠ WARNING

Make sure the intake hood is at least 6 feet away from any of the following:

- Dryer exhaust, high efficiency furnace vent, central vacuum vent
- Gas meter exhaust, gas barbecue-grill
- Any exhaust from a combustion source
- Garbage bin and any other source of contamination.

Refer to figure at right for connecting insulated ducts to the exterior hoods. An "Anti-gust intake hood" should be installed in regions where a lot of snow is expected to fall.

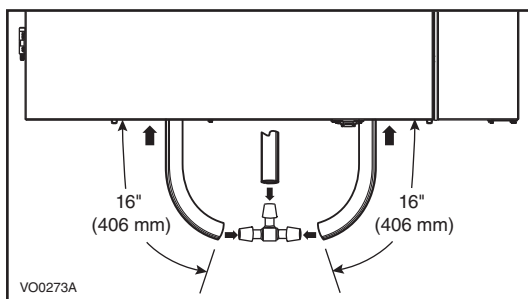


VD0028

3.8 CONNECTING THE DRAIN

CAUTION

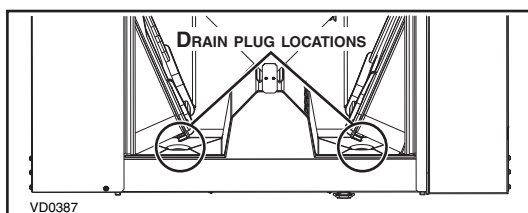
A drain tubing (included) must be installed for all HRV units. For ERV units, it is not required, however, it is recommended for climates where the outdoor temperature typically remains below -13°F, (over a 24-hour period) for several days in a row, combined with an indoor humidity of 40% or higher.



VO0273A

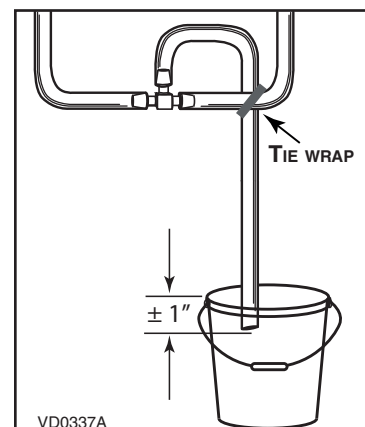
Cut 2 sections of the plastic tube, at least 16" long, and attach them to each inner drain fitting, located under the unit.

Join both short sections to the "T" junction and main tube as shown.



VD0387

NOTE: For ERV units installed in cold climate, remove both drain plugs inside the unit prior to install tubing.



VD0337A

Make a water trap loop in the tube to prevent the unit from drawing unpleasant odors from the drain source. Make sure this loop is located OVER the "T" as shown. Run the tube to the floor drain or to an alternative drain pipe or pail.

IMPORTANT

If using a pail to collect water, locate the tube end approximately 1" from the top of the pail in order to prevent water from being drawn back up into the unit.

4. CONTROLS

4.1 UNIT BOOTING SEQUENCE

The unit booting sequence is similar to a personal computer boot sequence. Each time the unit is plugged after being unplugged, or after a power failure, the unit will perform a 30-second booting sequence before starting to operate.

During the booting sequence, the unit is checking and resetting the motorized damper position.

Once the motorized damper position completely set, the booting sequence is done.

NOTE: No command will be taken until the unit is fully booted.

4.2 WALL CONTROL(S) ELECTRICAL CONNECTION

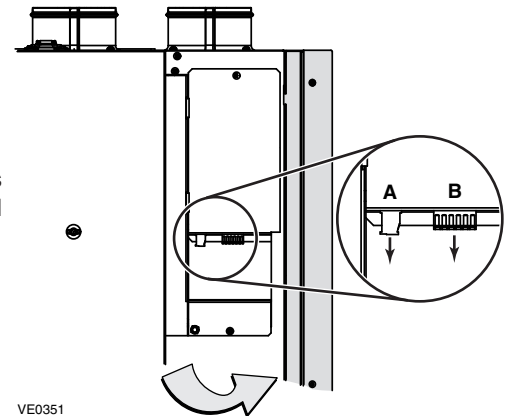
⚠ WARNING

The VT9W wall control is the only main wall control compatible to your unit. Never attempt to install another wall control model. Always disconnect the unit before making any connections. Failure to disconnect power could result in electric shock or damage to the wall control or electronic module inside the unit.

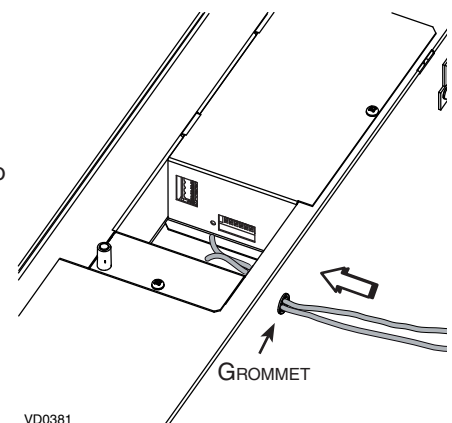
CAUTION

Failure to comply with the following can cause erratic operation of the unit and/or the wall control: Never install more than one VT9W main wall control per unit. Make sure that the wires do not short-circuit between themselves or by touching any other components on the wall control. Avoid poor wiring connections. To reduce electrical interference (noise) potential, do not run wall control wiring next to control contactors or near light dimming circuits, electrical motors, dwelling/building power or lighting wiring, or power distribution panel.

Unplug the unit from power source. Open the side panel to access terminal blocks (**A** is the one for main control connection only and **B** is the one for auxiliary controls). Pull out from the unit board the needed connector(s).



Run the end of the control wire(s) through the grommet located on the unit wall. Refer to illustration at right (side panel removed to ease understanding).



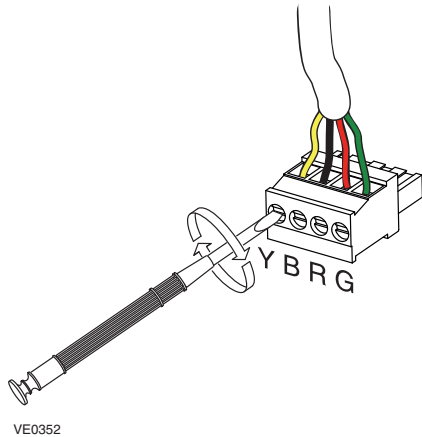
4. CONTROLS (CONT'D)

4.2 WALL CONTROL(S) ELECTRICAL CONNECTION (CONT'D)

4.2.1 TERMINAL BLOCK(S) CONNECTION

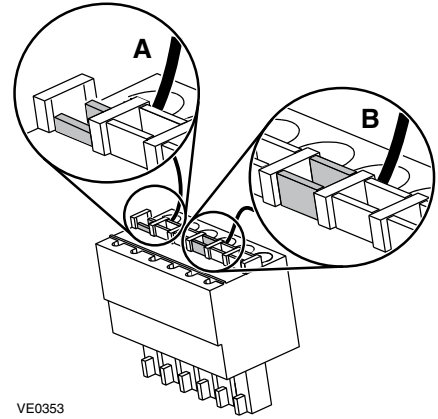
MAIN CONTROL TERMINAL BLOCK

Strip the end of the main control cable to access the 4 wires. Strip the end of each wire. Using a small flat blade screwdriver, connect each wire to its corresponding terminal, by referring on the sticker affixed on the unit: YELLOW wire to "Y," BLACK wire to "B," RED wire to "R" and GREEN wire to "G."



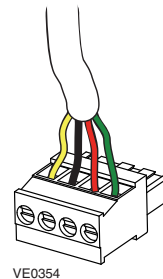
AUXILIARY CONTROL TERMINAL BLOCK

Strip the end of the auxiliary control cable to access the wires. Strip the end of 3 wires. Check if all wires are correctly inserted in their corresponding holes in the terminal block. (A wire is correctly inserted when its orange receptacle is lower than another one without wire. On illustration below, wire A is correctly inserted, but wire B is not.)

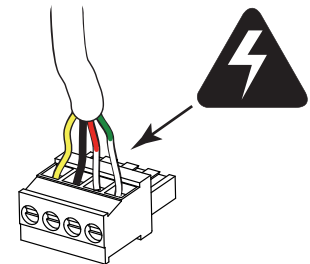


When stripping the wires, ensure to remove only the necessary length of sheath in order to prevent short circuits.

RIGHT

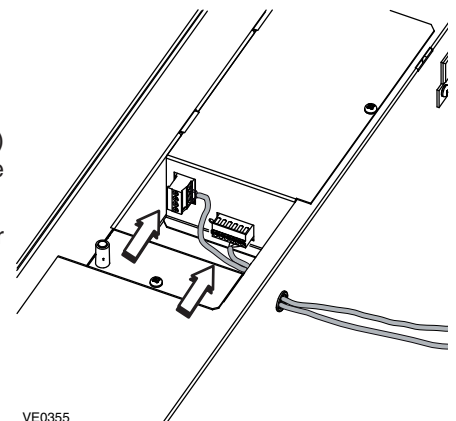


WRONG



Once the terminal block(s) connections have been made, reinstall it (them) on the unit PC board. Refer to illustration at right (side panel removed to ease understanding). Close the side panel.

NOTE: For information about the operation of the wall controls, refer to their installation sheet.

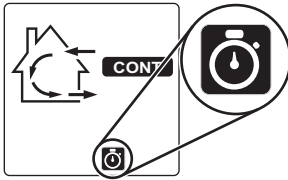
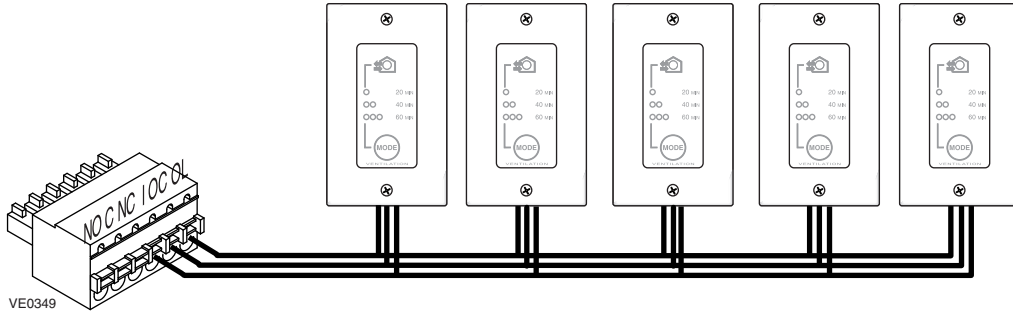


4. CONTROLS (CONT'D)

4.2 WALL CONTROL(S) ELECTRICAL CONNECTION (CONT'D)

4.2.2 ELECTRICAL CONNECTION TO VB60W OPTIONAL AUXILIARY CONTROL(S)

Up to five (5) VB60W auxiliary controls can be installed.



When used, the VB60W activation will override the main control operation, as well as the unit defrost cycle. On example shown on the left, the unit was in CONT mode when the auxiliary control was activated; so the actual operation mode stays on VT9W main wall control screen, but the chronometer icon appears as long as the VB60W is activated.

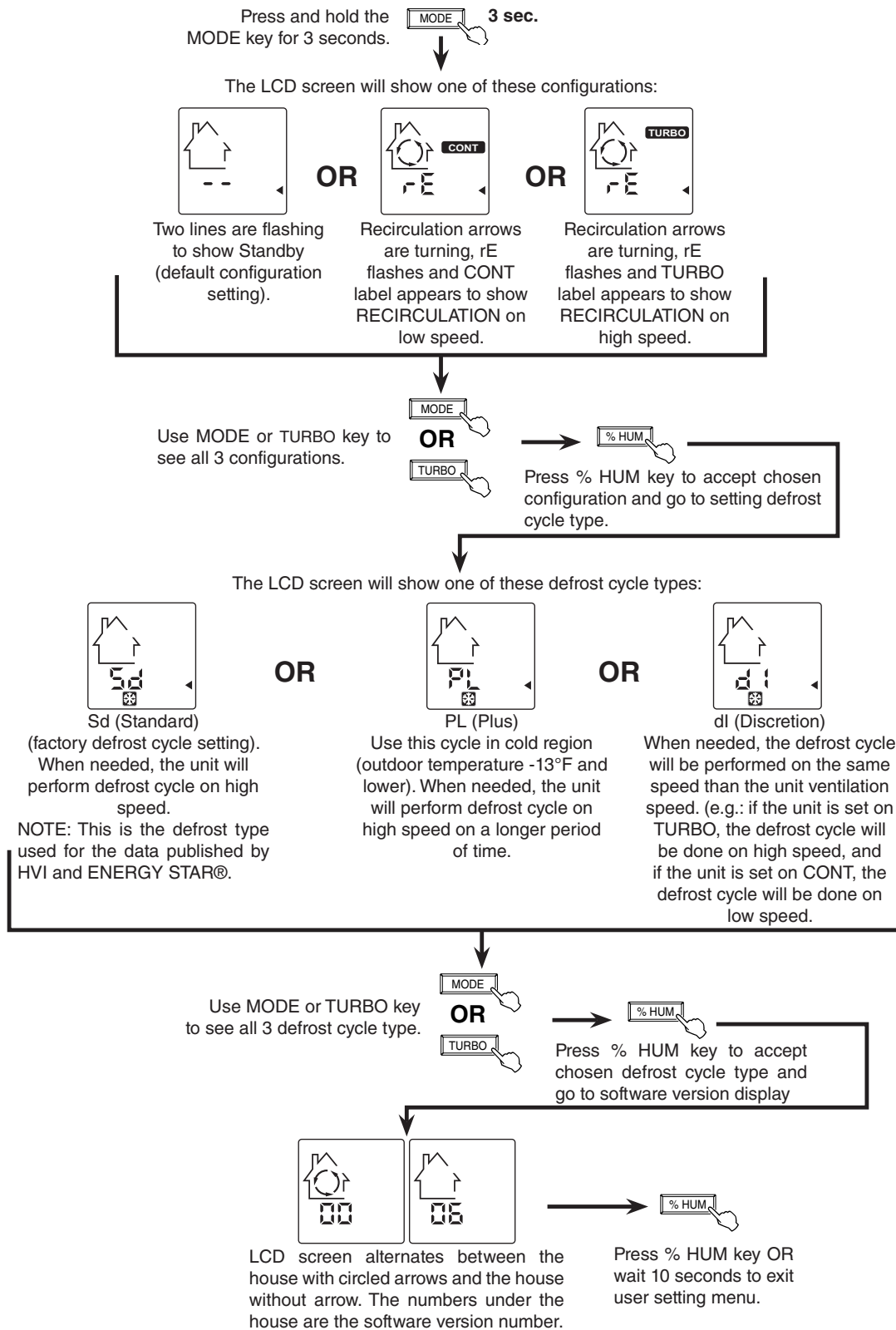
NOTE: In colder regions, the chronometer icon may stay after the end of the VB60W cycle, due to defrost cycle.

4. CONTROLS (CONT'D)

4.3 SETTING UNIT OPERATION IN THE REMAINING 40 MINUTES ON 20 MIN/H MODE AND SETTING UNIT DEFROST CYCLE TYPE USING VT9W MAIN WALL CONTROL

CAUTION

Set extended defrost on all units located in climates where the outdoor temperature typically remains below -13°F (i.e. Bemidji, MN; Duluth, MN; Fargo, ND; Fairbanks, AK) over a 24-hour period for several days in a row, combined with an indoor humidity of 40% or higher.



5. ELECTRICAL CONNECTION TO THE FURNACE

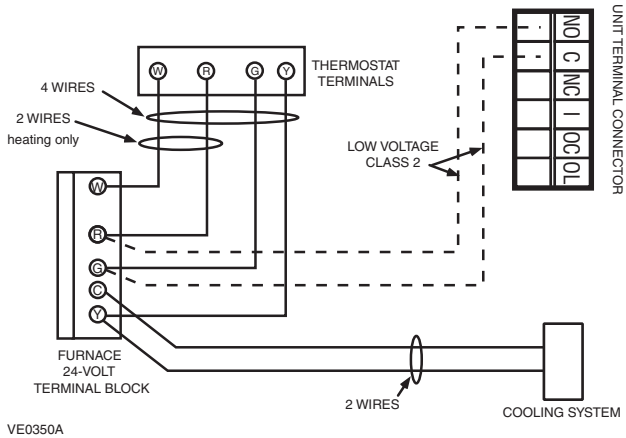
⚠ WARNING

Never connect a 120-volt AC circuit to the terminals of the furnace interlock (standard wiring). Only use the low voltage class 2 circuit of the furnace blower control.

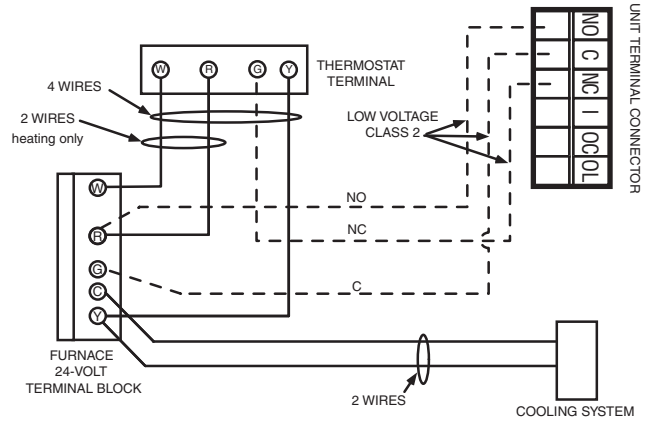
For a furnace connected to a cooling system:

On some older thermostats, energizing the “R” and “G” terminals at the furnace has the effect of energizing “Y” at the thermostat and thereby turning on the cooling system. If you identify this type of thermostat, you must use the ALTERNATE FURNACE INTERLOCK WIRING.

STANDARD FURNACE INTERLOCK WIRING



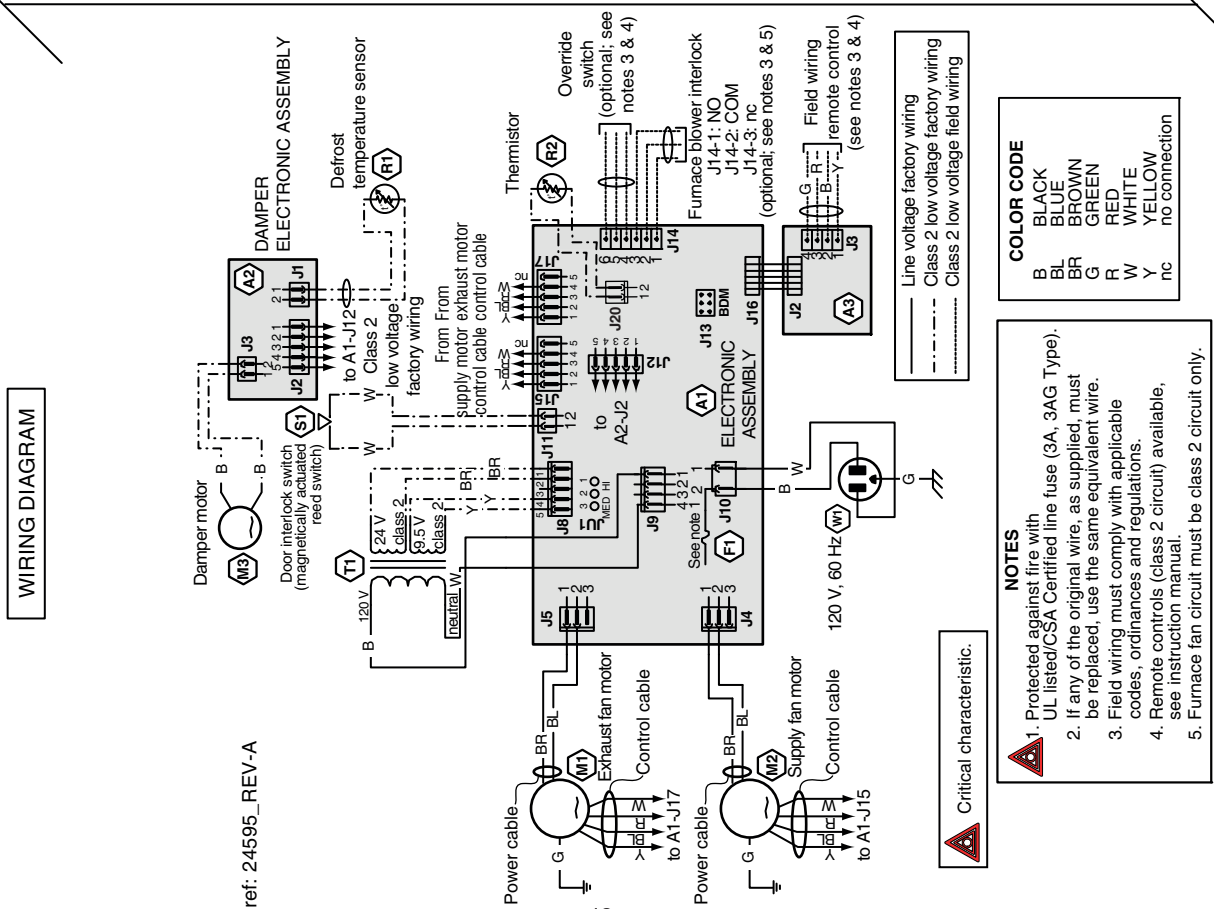
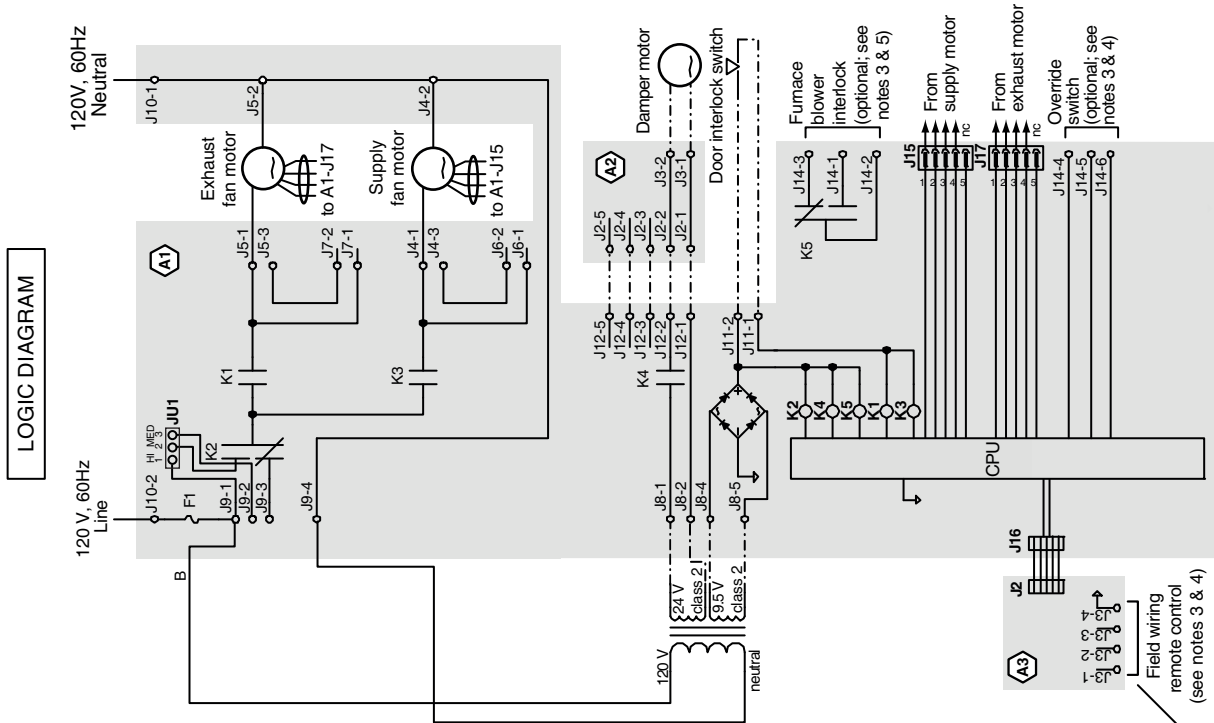
ALTERNATE FURNACE INTERLOCK WIRING



6. WIRING DIAGRAM

⚠ WARNING

- Risk of electric shocks. Before performing any maintenance or servicing, always disconnect the unit from its power source.
- This product is equipped with an overload protection (fuse). A blown fuse indicates an overload or a short-circuit situation. If the fuse blows, unplug the product from the outlet. Discontinue using the unit and contact technical support.



COLOR CODE

B	BLACK
BL	BLUE
BR	BROWN
G	GREEN
R	RED
W	WHITE
Y	YELLOW
nc	no connection

- NOTES**
1. Protected against fire with UL listed/CSA Certified line fuse (3A, 3AG Type).
 2. If any of the original wire, as supplied, must be replaced, use the same equivalent wire.
 3. Field wiring must comply with applicable codes, ordinances and regulations.
 4. Remote controls (class 2 circuit) available, see instruction manual.
 5. Furnace fan circuit must be class 2 circuit only.

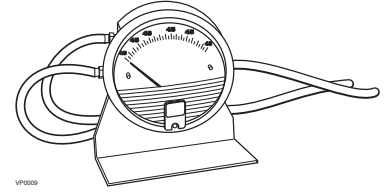
⚠ Critical characteristic.

- Line voltage factory wiring
- - - Class 2 low voltage factory wiring
- Class 2 low voltage field wiring

7. BALANCING THE UNIT

7.1 WHAT YOU NEED TO BALANCE THE UNIT

- One VT9W main wall control close to the unit.
- A magnehelic gauge capable of measuring 0 to 0.5 inch of water (0 to 125 Pa) and 2 plastic tubes.
- The balancing chart of the unit.



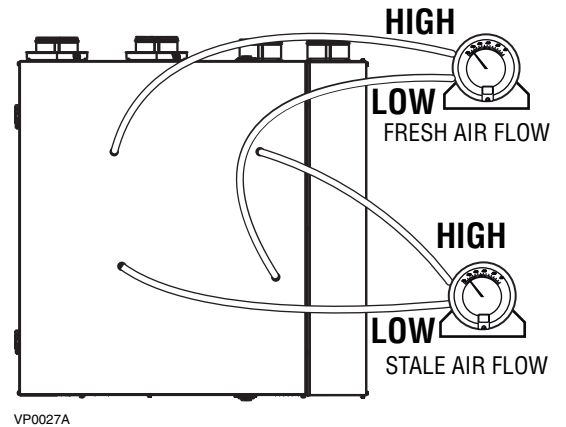
7.2 PRELIMINARY STAGES TO BALANCE THE UNIT

- Seal all the unit ductwork with tape. Close all windows and doors.
- Turn off all exhaust devices such as range hood, dryer and bathroom fans.
- Make sure all filters are clean (if it is not the first time the unit is balanced).

NOTE: Make sure that the furnace/air handler blower is ON if the installation is in any way connected to the ductwork of the cold air return. If not, leave furnace/air handler blower OFF.

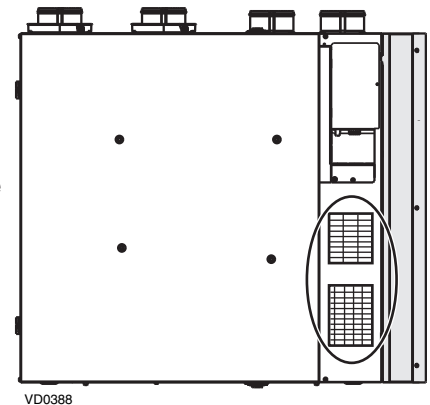
7.3 USING MAGNEHELIC GAUGES

1. Place the magnehelic gauge on a level surface and adjust it to zero.
2. According to the airflow to be measured, connect tubing from gauge to STALE air flow or FRESH air flow pressure taps (see illustration at right).
Be sure to connect the tubes to their appropriate *high/low* fittings. If the gauge drops below zero, reverse the tubing connections.



7.4 BALANCING CHART AND PRESET SPEEDS TABLE

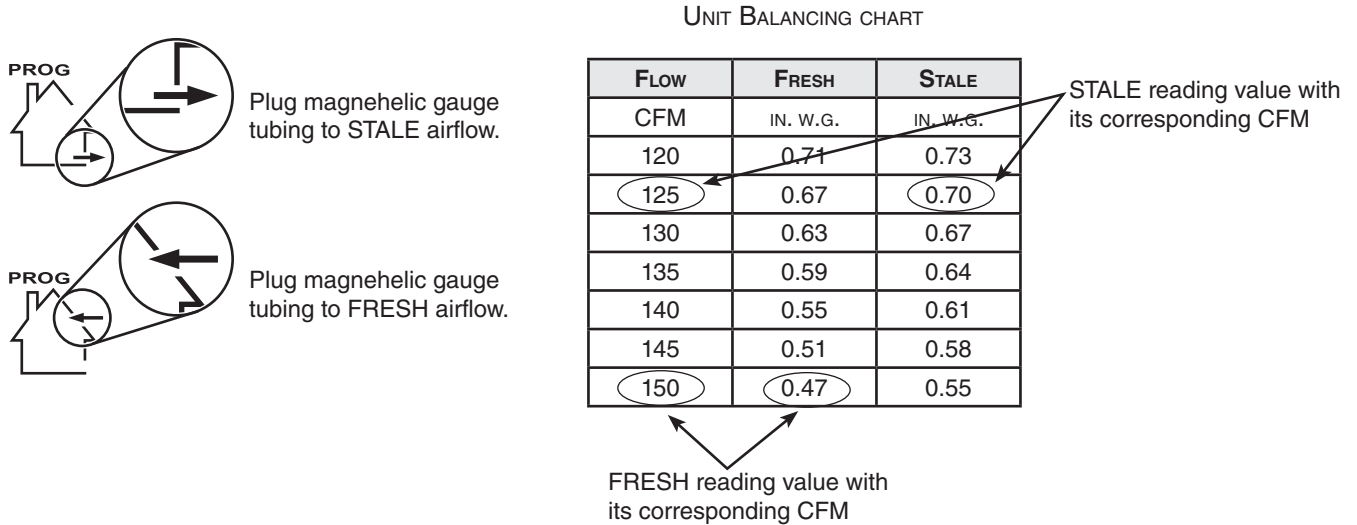
The unit balancing chart and the unit preset speed table are affixed on the unit, behind the right panel (circled area on illustration at right).



7. BALANCING THE UNIT (CONT'D)

7.4 BALANCING CHART AND PRESET SPEEDS TABLE (CONT'D)

Use the balancing chart to convert pressure (in. w.g.) values read from magnehelic gauge to airflow (CFM) values. While balancing, the VT9W wall control screen shows which pressure taps have to be used. See example below.




NOTE: The unit is considered balanced even if there is a difference of ± 10 CFM (or ± 5 L/s or $17 \text{ m}^3/\text{h}$) between the two airflows.

The special design of these units, combined with the VT9W main wall control, offer many preset speeds ranges according to the unit models.

See preset speeds table example below.

PRESET SPEEDS TABLE




UNIT MODEL				
PRESET SPEEDS NO.	TURBO HIGH SPEED (CFM @ 0.4 IN. W.G.)	CONT LOW SPEED (CFM @ 0.2 IN. W.G.)	 20/40/60 MIN. CONTROL STALE AIR (CFM @ 0.4 IN. W.G.)	RECIRC RECIRCULATION SPEED (CFM @ 0.4 IN. W.G.)
--	From 60 to 250	From 30 CFM to 75% of adjusted TURBO speed	From 60 to 250	From 60 to 250
01	250	125	250	250
02	225	110	250	225
03	200	100	250	200
04	175	85	225	175
05	150	75	200	150
06	125	60	175	125
07	100	50	150	100
08	This speed must be used for HVI testing at 64 CFM @ 13°F (-25°C)			
09	This speed must be used for HVI testing at 98 CFM @ 13°F (-25°C)			

7. BALANCING THE UNIT (CONT'D)

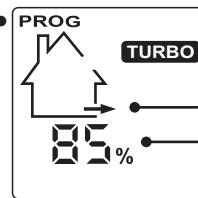
7.5 BALANCING PROCEDURE

① Connect an VT9W main wall control nearby the unit.

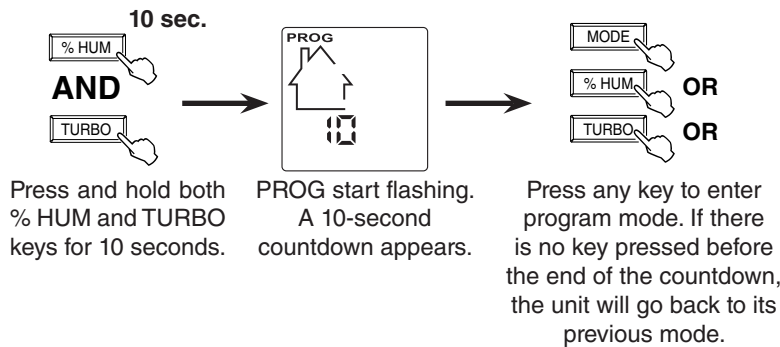
GENERAL INFORMATION ABOUT VT9W WALL CONTROL USAGE IN UNIT BALANCING PROCEDURE

-  Press on MODE key to raise the value.
-  Press on % HUM key to accept.
-  Press on TURBO key to lower the value.

PROG flashes on screen as long as you are in Program Mode Setting menus (preset speeds or custom speeds). It disappears from screen when all settings are done or when there is no change after 60 seconds.



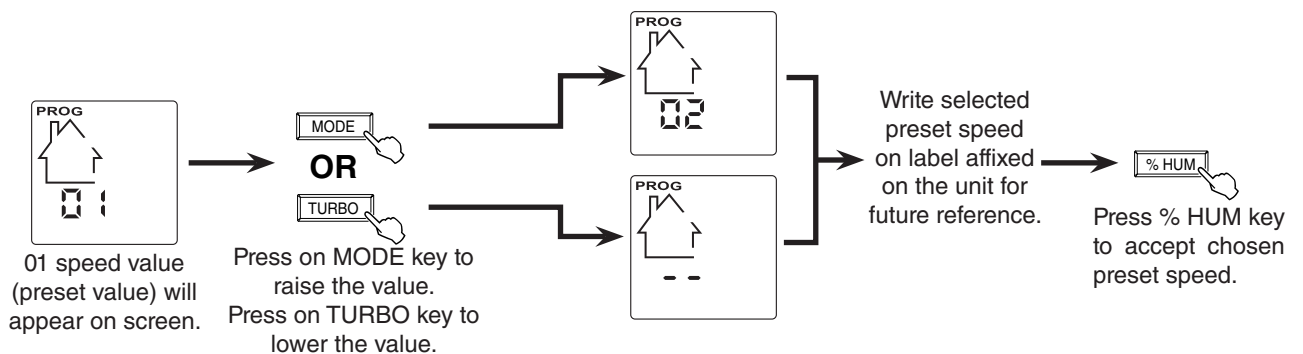
② Enter Program Mode.



Choose between two options: • 01, 02, etc.: Preset speeds (balance the unit only, faster option)

- - -: Custom speeds (adjust TURBO speed and balance the unit, then set CONT, VB60W control and RECIRC speeds).

③ Select the Preset speeds or Custom speeds.



NOTE: From 01 value, pressing on TURBO key will access to custom speed settings (see page 23).

④ Connect the magnehelic tubings to the unit (see 7.3).

7. BALANCING THE UNIT (CONT'D)

7.5 BALANCING PROCEDURE (CONT'D)

- ⑤ If the unit speed is set close to its highest speed, we recommend to first measure and note both airflows.
- ⑥ Refer to the unit balancing chart to find the corresponding CFMs.
- ⑦ Determine which airflow should be adjusted (the higher airflow must be lowered to equalize the lower one). See example below.

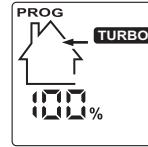
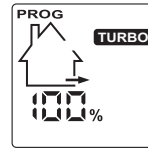
Pressure in. w.g.	Fresh CFM	Stale CFM
0.31	152	155
0.32	156	159
0.33	159	162
0.34	162	166
0.35	165	169
0.36	168	172
0.37	171	176
0.38	174	179
0.39	177	183
0.40	180	186
0.41	183	189
0.42	186	193
0.43	189	196
0.44	193	200
0.45	196	203
0.46	199	206
0.47	202	210
0.48	205	213
0.49	208	217
0.50	211	220
0.51	214	223
0.52	217	227
0.53	220	230
0.54	223	234
0.55	226	237

NOTE: At first airflow readings, for speed value 01, both stale and fresh airflow values displayed on control screen are 100%.

Before airflow adjustment

STALE airflow reading:
0.41 in. w.g.,
189 CFM

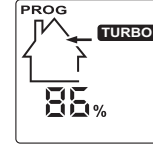
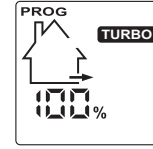
FRESH airflow reading:
0.50 in. w.g.,
211 CFM



After airflow adjustment

STALE airflow reading:
0.41 in. w.g.,
189 CFM

FRESH airflow reading:
0.43 in. w.g.,
189 CFM



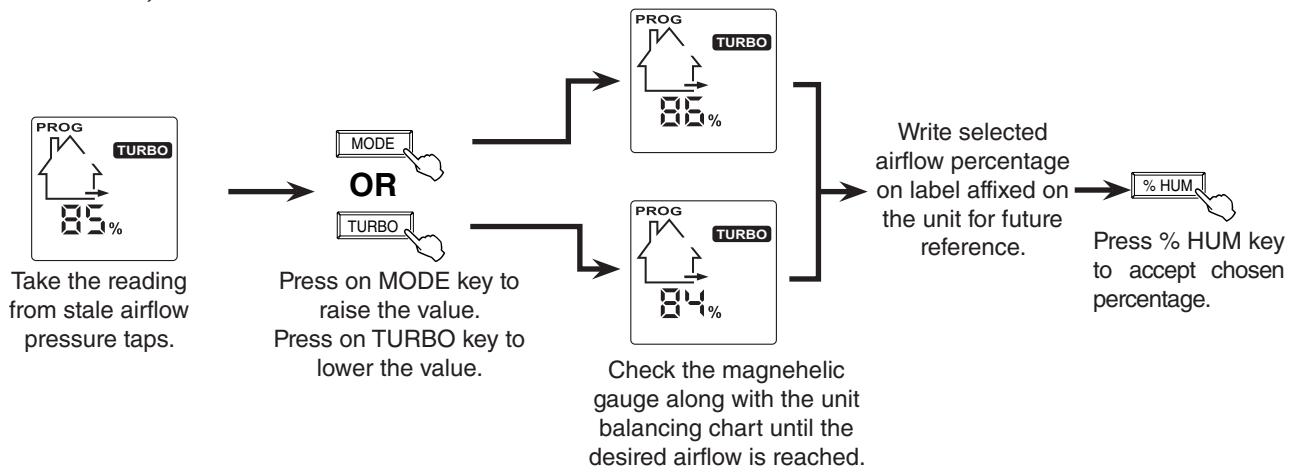
In that case, the FRESH airflow must be lowered to reach the STALE airflow value.

STALE reading value with its corresponding CFM

FRESH reading value with its corresponding CFM

- ⑧ Adjust stale air TURBO speed (or press % HUM key to keep it as is).

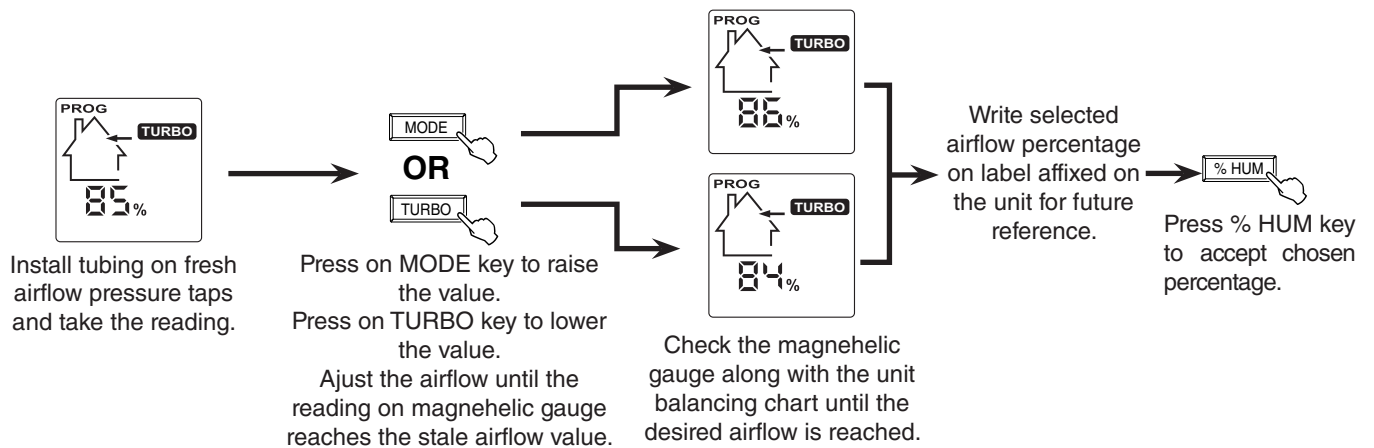
NOTE: The following shown values are example. The real values vary according to the preset speed chosen, the unit installation, etc.



7. BALANCING THE UNIT (CONT'D)

7.5 BALANCING PROCEDURE (CONT'D)

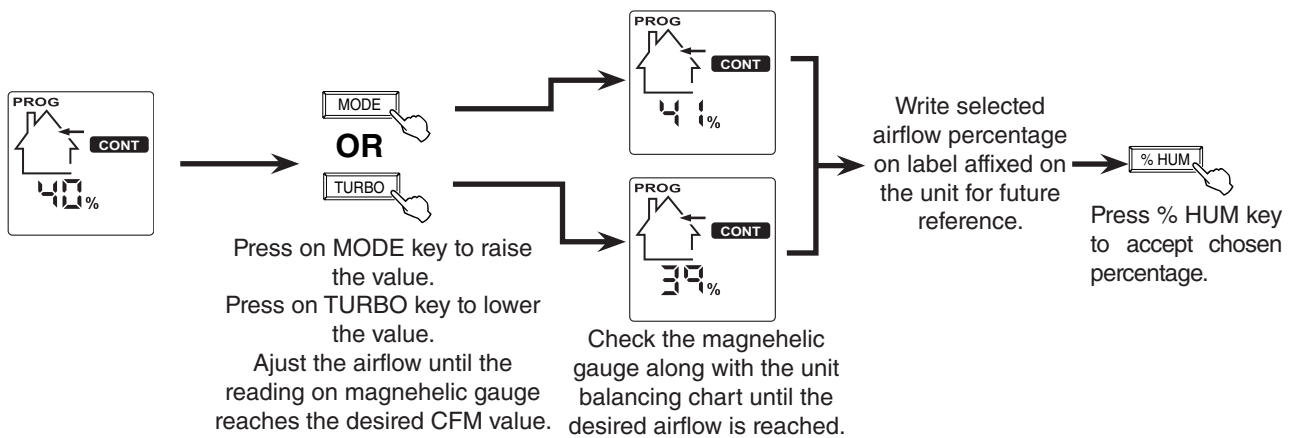
- ⑨ Adjust fresh air TURBO speed (or press % HUM key to keep it as is).



If you have selected the preset speed balancing at ⑦, the balancing procedure is completed.

If you have selected the custom speed balancing, continue with the following:

- ⑩ Set CONT speed.

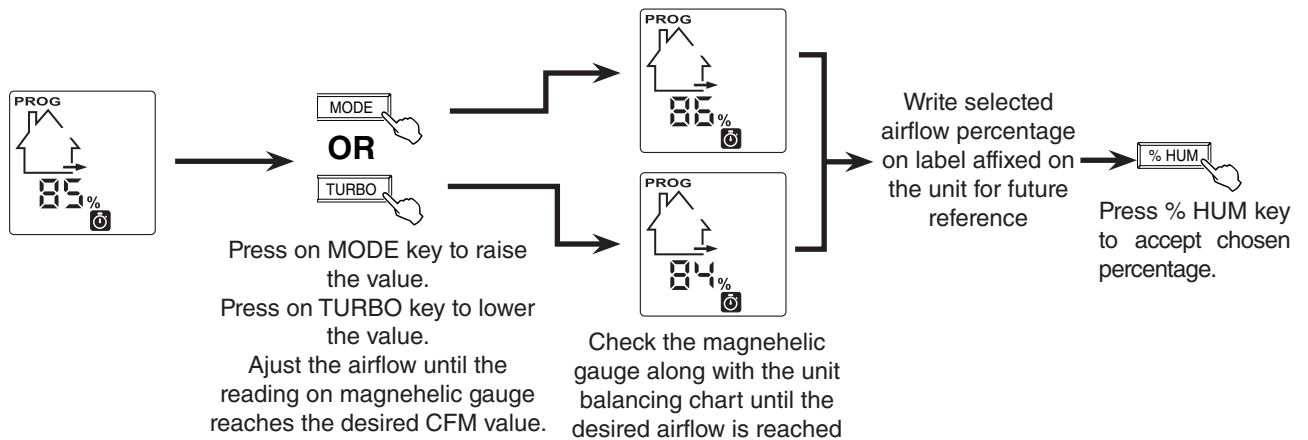
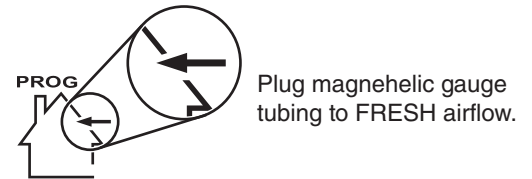
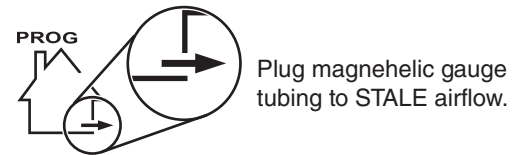


7. BALANCING THE UNIT (CONT'D)

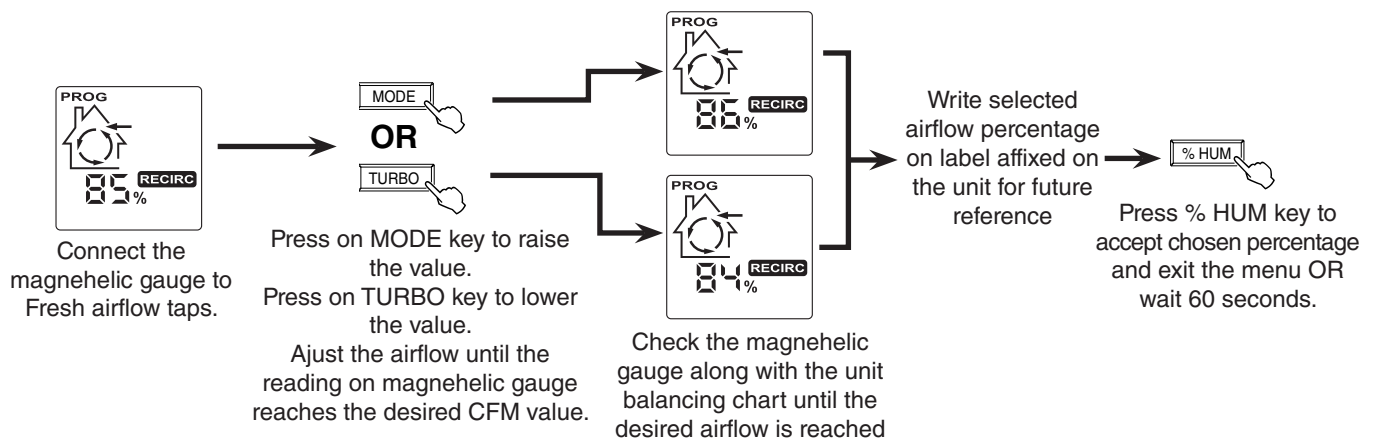
7.5 BALANCING PROCEDURE (CONT'D)

⑪ Set VB60W control speed.

NOTE: According to the installation, the magnehelic gauge tubing can be connected to exhaust OR supply air flow. The arrow on screen will show which airflow will have to be set.



⑫ Set RECIRC speed.



The balancing procedure is completed.

NOTE: The adjusted airflow values are stored within the unit, so, if needed, any VT9W main control can be used to adjust the unit speeds and balance the unit again. If a power failure occurs, the unit will keep these setting values. To change the setting values, go to step ⑥ and follow the procedure, the new values will replace the previous ones.


8. TROUBLESHOOTING

⚠ WARNING

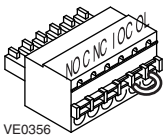
Risk of electric shocks. Electronic board connections must be checked by qualified personnel only.

If the unit does not work properly, reset the unit by unplugging and then replug it. If it is still not working properly, refer to the table below.

If the LED of the unit is flashing, this means the unit sensors have detected a problem. See the table below to know where the problem occurs on the unit.

LED SIGNAL ON UNIT	ERROR CODE ON CONTROL SCREEN	ERROR TYPE	ACTION	UNIT STATUS
LED flashes GREEN (double blink every 2 seconds).	E21	Cold side thermistor error.	<ul style="list-style-type: none"> Ensure J12 connector is properly connected and its wires are not damaged. If they are correct: Replace the damper system assembly. 	Unit works but will defrost frequently.
LED flashes GREEN (2 blinks per second; faster blink).	E22	Warm side thermistor error.	<ul style="list-style-type: none"> Ensure J20 connector is properly connected and its wires are not damaged. If they are correct: Replace the warm side thermistor. 	Unit does not work.
LED flashes AMBER.	E23	Damper system error.	<ul style="list-style-type: none"> Go to point 6 in next table. 	Unit does not work.
LED flashes RED (one blink every 2 seconds).	E25 and E26 alternately	Open door while the unit is in function or magnetic switch bad contact.	<ul style="list-style-type: none"> Reset the VT9W wall control by pressing on MODE and %HUM keys for 10 seconds. Check if the unit door is properly closed and for the door magnet to be properly seated onto the door. If not, correct the situation, close the door and reset the VT9W wall control by pressing on MODE and %HUM keys for 10 seconds. Ensure J11 connector is properly connected and its wires are not damaged. If not, correct the situation, close the door and reset the VT9W wall control by pressing on MODE and %HUM keys for 10 seconds. Using a flat blade screwdriver, jump J11, reset the VT9W wall control by pressing on MODE and %HUM keys for 10 seconds and set the unit on CONT. If the LED is still flashing, go to point 8 in next table for motor diagnosis. 	Unit does not work.
	E25	Supply motor error.	<ul style="list-style-type: none"> Go to point 8 in next table. 	
	E26	Exhaust motor error.	<ul style="list-style-type: none"> Go to point 8 in next table. 	
LED flashes RED (2 blinks per second; faster blink).		Unit is on protection mode.	<ul style="list-style-type: none"> If outside temperature is colder than -25°C, it could be normal for the unit to enter in protection mode. There is no action to be taken. If the snowflake icon appears frequently, the airflows of the unit may be not balanced or the damper system may be damaged. See point 7 in next table. 	Unit perform a special defrost and go back to its previous mode when completed.

8. TROUBLESHOOTING (CONT'D)

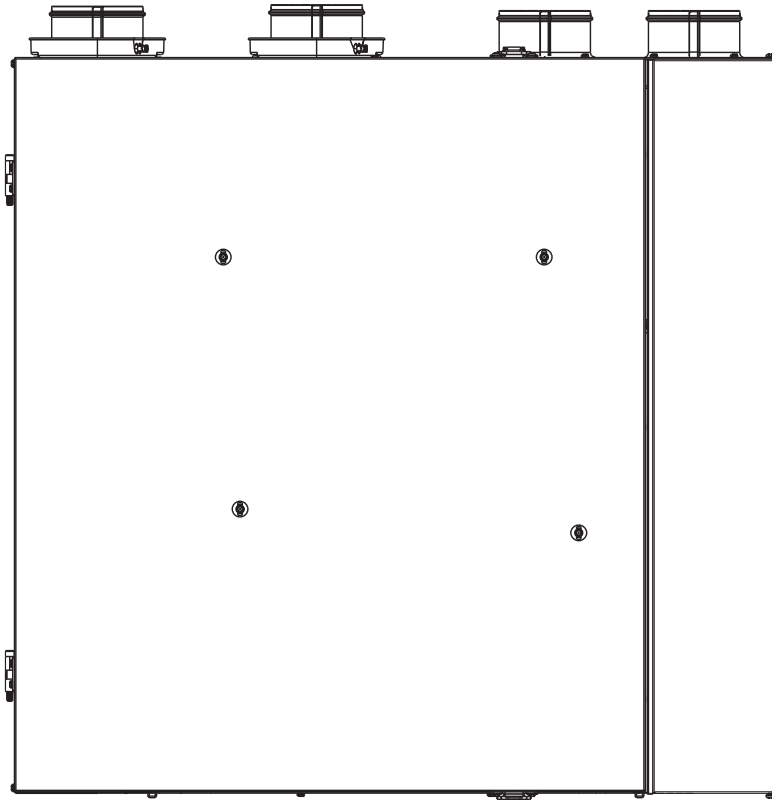
	PROBLEMS	POSSIBLE CAUSES	YOU SHOULD TRY THIS
1	The error code E01 is displayed on VT9W wall control screen.	<ul style="list-style-type: none"> The wires may be in reverse position. The wires may be misconnected. The wires may be broken. 	<ul style="list-style-type: none"> Ensure that the color coded wires have been connected to their appropriate places. Ensure the wires are correctly connected. Inspect every wire and replace any damaged ones. If wires are hidden into walls, test the control using a shorter wire.
2	The VT9W wall control screen alternates between normal display and E03.	<ul style="list-style-type: none"> The VT9W wall control may be defective. 	<ul style="list-style-type: none"> Replace the VT9W wall control.
3	The VT9W wall control does not work.	<ul style="list-style-type: none"> Wrong main control. The wires may be in reverse position. The wires may be misconnected. The wires may be broke. Defective wall control. 	<ul style="list-style-type: none"> Ensure the main control is an VT9W. Ensure that the color coded wires have been connected to their appropriate places. Ensure the wires are correctly connected. Inspect every wire and replace any damaged ones. If wires are hidden into walls, test the control using a shorter wire. Replace the wall control.
4	Unit does not work.	<ul style="list-style-type: none"> Unit is unplugged. No power to power outlet. The fuse may be defective. J10, J9, or J8 connector(s) may be unplugged. The transformer may be defective (no 9.5 VAC between J8-4 and J8-5). The main PCB may be defective. 	<ul style="list-style-type: none"> Make sure the unit is plugged. Test the power outlet with another electrical device (e.g.: a lamp). If it does not work, call an electrician. Unplug the product from the outlet. Check if fuse F1 (located on the PCB) is blown. In that case, discontinue using the unit and contact technical support. Check the connection of J10, J9, and J8 connectors. With unit powered on and J9 connected, check if there is about 9.5 VAC between J8-4 and J8-5 (YELLOW wires) transformer connector. If not, change the transformer. Replace the main PCB.
5	The VB60W push-button timer does not work (unit LED lit, no matter the color).	<ul style="list-style-type: none"> The wires may be in reverse position. The wires may be misconnected. The wires may be broken. The push button may be defective. 	<ul style="list-style-type: none"> Ensure that the color coded wires have been connected to their appropriate places. Ensure the wires are correctly connected. Inspect every wire and replace any damaged ones. If wires are hidden into walls, test the control using a shorter wire. Jump the OL and OC terminals. If the unit switches to high speed, remove the push button and test it right beside the unit using another shorter wire. If it works here, change the wire. If it doesn't, change the push button. 
6	Unit is always on high speed.	<ul style="list-style-type: none"> The VB60W push-button timer wires may be shorted. 	<ul style="list-style-type: none"> Ensure OC and OL wires do not touch each others. Unplug wires from the auxiliary control terminal block and measure the resistance between cables (there should be no resistance). If resistance has been detected, ensure the wires are correctly connected, then inspect every wire and replace damaged ones.

8. TROUBLESHOOTING (CONT'D)

	PROBLEMS	POSSIBLE CAUSES	YOU SHOULD TRY THIS
7	The damper system does not work (LED flashes AMBER, error code E23).	At power up, no RED LED.	<ul style="list-style-type: none"> • See point 4.
		At power up, LED lights RED and there is a clicking sound coming from electrical compartment, but damper does not move: <ul style="list-style-type: none"> • Ice or other things hindering the damper movement. • J12 unconnected or bad contact. • Wrong connection of J8. • The transformer may be defective (no 24 VAC between J8-1 and J8-2). 	<ul style="list-style-type: none"> • Remove ice or hindering elements. • Check J12 connection (both harness side and board side). • Check J8 connection. • With unit powered and J9 connected, check if there is about 20-24 VAC between J8-1 and J8-2 (BROWN wires) transformer connector. If no, change the transformer. • Erase the error code by pressing on MODE and %HUM keys for 10 sec., then set the unit in CONT and check if the error code is displayed again. • If the error code is back, replace the damper system.
		<ul style="list-style-type: none"> • The damper actuator may be defective. Damper moves but does not stop when supposed to: <ul style="list-style-type: none"> • Bad connection of J12 connector. • Damper system PCB defective or damper motor stripped gear. • The main PCB is defective. 	<ul style="list-style-type: none"> • Check J12 connection (both harness side and board side). • Replace the damper system. • Replace the main PCB.
8	A. The supply motor does not work, but exhaust motor works. (LED flashes RED, error code E25)	<ul style="list-style-type: none"> • The supply motor may be defective or blocked by an obstacle. 	<ul style="list-style-type: none"> • Make sure that there is no obstacle blocking the motor. • Check the connection of J4 and J15 connectors. • Jump the OL and OC terminals and plug supply motor to J5 connector and exhaust motor to J4 connector. If the supply motor works but the exhaust motor does not, replace the main PCB. If the supply motor is still not working, plug back supply motor to J4 connector and exhaust motor to J5 connector and continue to investigate. • Swap both motor control cable connections on PCB: connect supply control cable to J17 connector and exhaust control cable to J15 connector. If the supply motor works but the exhaust motor does not, replace the main PCB. If the supply motor is still not working, plug back the exhaust control cable to J17 connector and replace the supply motor.
	B. The exhaust motor does not work, but supply motor works. (LED flashes RED, error code E26)	<ul style="list-style-type: none"> • The exhaust motor may be defective or blocked by ice or an obstacle.. 	<ul style="list-style-type: none"> • Make sure that there is no obstacle or ice blocking the motor. • Check the connection of J5 and J17 connectors. • Jump the OL and OC terminals and plug exhaust motor to J4 connector and supply motor to J5 connector. If the exhaust motor works but the supply motor does not, replace the main PCB. If the exhaust motor is still not working, plug back exhaust motor to J5 connector and supply motor to J4 connector and continue to investigate. • Swap both motor control cable connections on PCB: connect exhaust control cable to J15 connector and supply control cable to J17 connector. If the exhaust motor works but the supply motor does not, replace the main PCB. If the exhaust motor is still not working, plug back the supply control cable to J15 connector and replace the exhaust motor.
9	Unit works on CONT and TURBO modes, but not in RECIRC mode.	<ul style="list-style-type: none"> • Reversed motor connections. 	<ul style="list-style-type: none"> • Swap both motor power cable connections J4 and J5 on PCB. Check for the supply motor (on right side of the unit) operation in RECIRC mode. • If the exhaust motor is still running in RECIRC mode instead of supply, connect back in place power cable connections J4 and J5 on PCB and swap control cables J15 and J17 on PCB. • If the problem is not solved, change the PCB.

BROAN®

MANUAL DE INSTALACIÓN



VB0185

EN ESTA REVISIÓN encontrará información nueva sobre la configuración de la descongelación ampliada (pág. 16).

NOTAS IMPORTANTES

1. El único control mural compatible con estas unidades es el control mural VT9W.
2. Estas unidades están sujetas a un nuevo procedimiento de equilibrado. Véase la Sección 7.
3. Los conectores de terminales de estas unidades no vienen con el kit para la instalación; ya están montados en su placa de control electrónico.

**ERV200 ECM
ERV250 ECM**

**HRV200 ECM
HRV250 ECM**



Estos productos han sido distinguidos con el logotipo ENERGY STAR® al cumplir las directrices de eficiencia energética establecidas por el Ministerio de Recursos Naturales de Canadá y la Agencia Federal de Protección Ambiental (EPA) de Estados Unidos. Los productos cumplen las exigencias del programa ENERGY STAR únicamente cuando se emplean en Canadá.

⚠ SÓLO PARA USO RESIDENCIAL ⚠

LEA Y CONSERVE ESTAS INSTRUCCIONES

Broan-NuTone LLC; Hartford, Wisconsin www.broan-nutone.com 800-558-1711

REGISTRE SU PRODUCTO EN LÍNEA EN: www.broan-nutone.com/register

Para obtener más información, visitar nuestro sitio www.broan-nutone.com

ACERCA DE ESTE MANUAL

Dado el gran número de modelos de los que trata este manual, las ilustraciones son de carácter general. Algunos detalles de su aparato pueden ser ligeramente distintos de los que se muestran aquí.

Con el fin de hacer hincapié en determinada información, en este manual se emplean los siguientes símbolos:

ADVERTENCIA

Se refiere a una instrucción que, de no seguirse podría causar heridas corporales graves e incluso la muerte.

PRECAUCIÓN

Se refiere a una instrucción que, si no seguisse, podría dañar gravemente el aparato o sus piezas.

NOTA : Da información complementaria para realizar una instrucción.

ACERCA DE ESTOS APARATOS

LIMITACIÓN

Sólo para instalaciones residenciales. El trabajo de instalación y el cableado eléctrico han de ser efectuados por personal cualificado conforme a todos los códigos y normas aplicables, incluso los relativos a lugares con alto riesgo de incendio.

ADVERTENCIA

PARA REDUCIR EL RIESGO DE INCENDIO, DESCARGA ELÉCTRICA O LESIÓN CORPORAL, RESPETE LAS SIGUIENTES INDICACIONES:

1. Utilice este aparato únicamente de la forma en que indica el fabricante. Si tiene cualquier pregunta, comunique con el fabricante en la dirección o el teléfono que aparecen en la garantía.
2. Le aconsejamos que un técnico especializado examine el aparato una vez por año.
3. Antes de reparar o limpiar el aparato, desenchufe el cable de alimentación de la toma.
4. Este aparato no se ha concebido para proporcionar aire de combustión o de dilución a otros aparatos de combustión.
5. Al cortar o perforar la pared o el techo, procure no dañar el cableado eléctrico ni otras instalaciones de servicios públicos.
6. No utilice este aparato con un dispositivo de control de velocidad con semiconductores distinto al control siguientes:

UNIDAD	CONTROL PRINCIPAL	CONTROL AUXILIAR
ERV200 ECM, ERV250 ECM, HRV200 ECM, HRV250 ECM	VT9W EXCLUSIVAMENTE	VB60W

7. Este aparato debe conectarse a tierra. El cable de alimentación tiene un enchufe de tres pastillas para su seguridad personal. Este enchufe debe enchufarse en una toma tres pastillas, conectada a tierra según el código nacional de electricidad y los códigos y ordenanzas locales. No quite la pastilla de tierra ni utilice un cable prolongador.
8. No instale este aparato en una zona donde se cocine ni lo conecte directamente a ningún tipo de aparato.
9. No utilice este aparato para extraer materiales y vapores peligrosos o explosivos.
10. Al instalar, reparar o limpiar estos aparatos, se aconseja llevar anteojos y guantes de seguridad.
11. Teniendo en cuenta el peso del aparato, se aconseja que lo instalen dos personas.
12. Cuando una reglamentación local esta en vigor y conlleva exigencias de instalación y/o de certificación mas estrictas, susodichas exigencias prevalecen sobre aquellas en este documento y el instalador acepta somerterse a estas exigencias a sus gastos.

PRECAUCIÓN

1. Para evitar que los filtros se obstruyan prematuramente, apague el aparato cuando realice obras de construcción o renovación.
2. Para mayor información y conocer mejor los requisitos del aparato, lea la etiqueta con las características técnicas del producto.
3. Compruebe que el aire va fuera. No introduzca ni saque el aire de espacios situados entre paredes, techos o altillos, sótanos o cocheras.
4. Aparato previsto únicamente para instalaciones residenciales con arreglo a los requisitos NFPA 90B.
5. No ponga ningún tubo de aire directamente sobre (o a menos de 2 pies) una caldera o de su cámara de alimentación, de una cámara de combustión o de cualquier otro aparato que produzca calor. Si hay que conectar un tubo a la cámara de retorno de una caldera, la conexión debe acerse a 9'10" o más de la conexión de dicha cámara con la caldera.
6. Los tubos deben instalarse con arreglo a los códigos locales y nacionales aplicables.
7. Si no va a estar en la casa durante un largo periodo (más de dos semanas), un responsable debería verificar regularmente que el aparato funciona debidamente.
8. Si las tuberías pasa a través de un espacio do acondicionado (p. ej., un altillo), el aparato debería funcionar constantemente, menos cuando se repare o se limpie. Asimismo, la temperatura ambiente de la casa nunca debería bajar de 65°F.

ASISTENCIA TÉCNICA

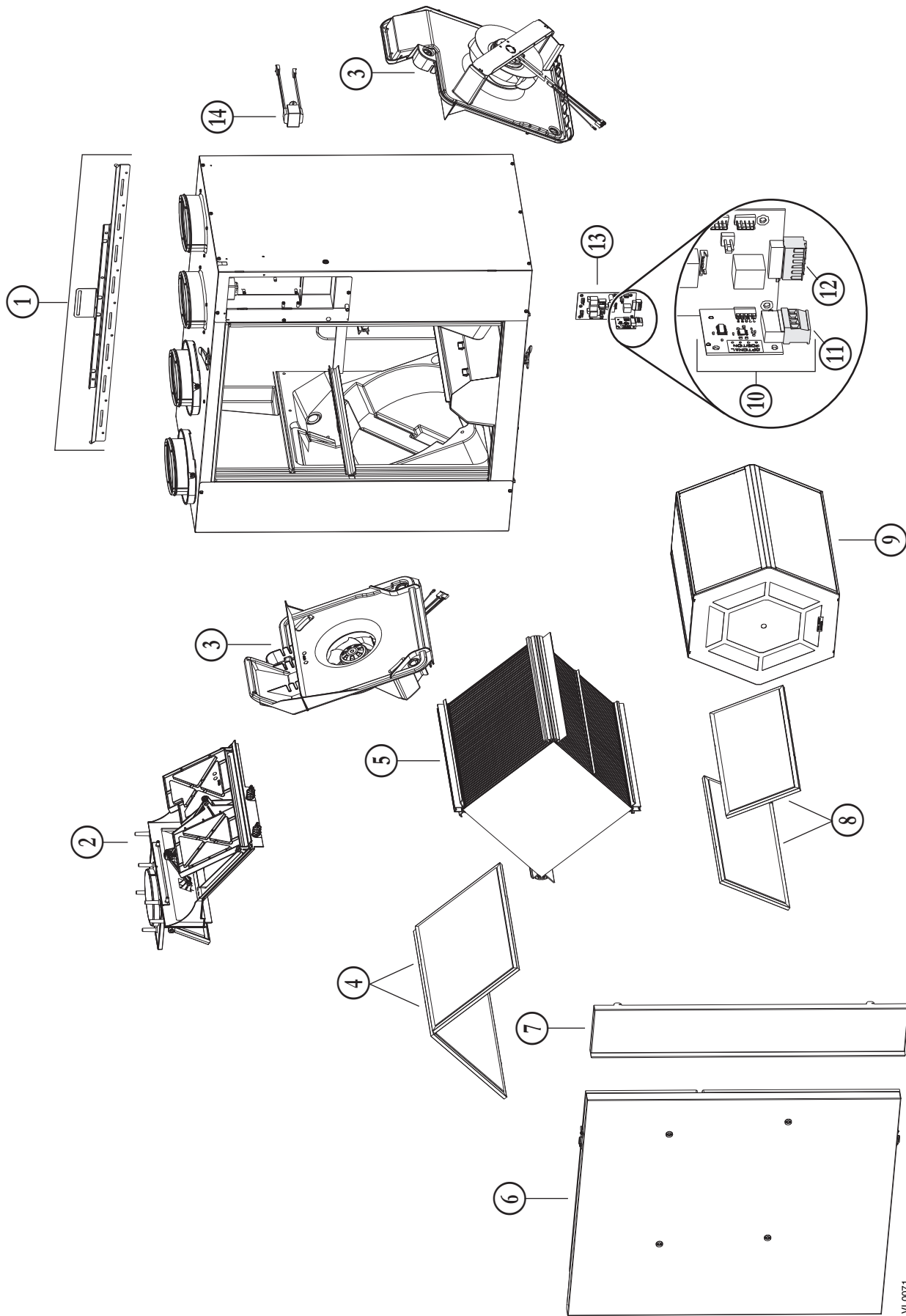
PARA OBTENER ASISTENCIA, LLAME DURANTE DÍAS LABORABLE, ENTRE LAS 8:30 AM Y LAS 5:00 PM (HORA ESTÁNDAR DEL ESTE): 1-800-558-1711.

NOTA: ÉSTE NÚMERO ESTA SÓLO PARA INSTALADORES. No llame a éste número para ordenar piezas.

ÍNDICE

1. PIEZAS	4-5
2. DISTRIBUCIÓN DEL AIRE.....	6
3. INSTALACIÓN.....	6-12
3.1 EXAMEN DEL CONTENIDO DE LA CAJA	6
3.2 UBICACIÓN DEL APARATO	6-7
3.3 PLANIFICACIÓN DE LOS TUBOS	8
3.4 TAMAÑO DE LOS CONDUCTOS	8
3.5 INSTALACIÓN DE LOS TUBIOS Y REGISTROS	8-10
3.6 CONEXIÓN DE LOS TUBULOS AL APARATO	11
3.7 INSTALACIÓN DE 2 BOCAS EXTERIORES	12
3.8 CONEXIÓN DEL DESAGÜE	12
4. CONTROLES	13-16
4.1 SECUENCIA DE PUESTA EN MARCHA	13
4.2 CONEXIÓN ELÉCTRICA DEL CONTROL O CONTROLES MURALES	13-15
4.3 CONFIGURACIÓN DEL FUNCIONAMIENTO DE LA UNIDAD EN LOS 40 MINUTOS RESTANTES EN EL MODO 20 MIN/H Y CONFIGURACIÓN DEL TIPO DE CICLO DE DESHIELO DE LA UNIDAD MEDIANTE EL CONTROL MURAL PRINCIPAL VT9W.....	16
5. CONEXIÓN ELÉCTRICA CON LA CALDERA.....	17
6. DIAGRAMA DE CABLEADO	18
7. EQUILIBRADO DEL APARATO	19-24
7.1 ELEMENTOS NECESARIOS PARA EQUILIBRAR EL APARATO	19
7.2 ETAPAS PRELIMINARES PARA EQUILIBRAR EL APARATO	19
7.3 USO DE CAUDALÍMETROS DE HÉLICE.....	19
7.4 CUADRO DE EQUILIBRADO Y TABLA DE VELOCIDADES PRESELECCIONADAS	19-20
7.5 PROCEDIMIENTO DE EQUILIBRADO.....	21-24
8. SOLUCIÓN DE PROBLEMAS.....	25-27

1. PIEZAS



1. PIEZAS (CONTINUACIÓN)

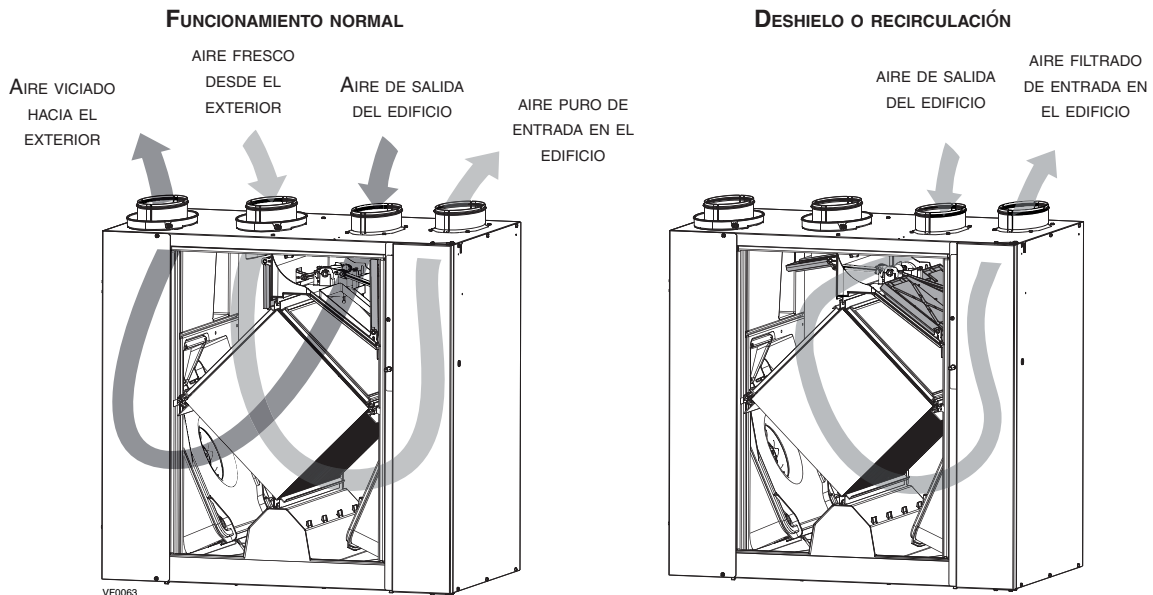
N.º	DESCRIPCIÓN	C ^{TD}	ERV200 ECM	HRV200 ECM	ERV250 ECM	HRV250 ECM
1	KIT DE SOPORTES	1	SV63419	SV63419	SV63419	SV63419
2	CONJUNTO DEL SISTEMA DE LA CLAPETA (INCLUYE 2 TORNILLOS DE PLÁSTICO)	1	SV63420	SV63420	SV63420	SV63420
3	CONJUNTO DEL VENTILADOR IMPELENTE (INCLUYE 3 TORNILLOS DE PLÁSTICO)	2	SV63421	SV63421	SV63421	SV63421
4	FILTRO DEL NÚCLEO RECUPERADOR DE CALOR HRV (PAR)	1		SV63426		SV63426
	FILTRO DEL NÚCLEO RECUPERADOR DE ENERGÍA ERV (PAR)	1			SV63433	
5	NÚCLEO DE RECUPERACIÓN DE CALOR	1		SV63422		SV63423
	NÚCLEO DE RECUPERACIÓN DE ENERGÍA	1			SV63425	
6	CONJUNTO DE LA PUERTA (INCLUYE EL ÍTEM 16)	1	SV63569	SV63569	SV63569	SV63569
7	PANEL DE DERECHA	1	SV63565	SV63566	SV63567	SV63568
8	FILTRO DEL NÚCLEO RECUPERADOR DE ENERGÍA ERV (PAR)	1	SV63427			
9	NÚCLEO DE RECUPERACIÓN DE ENERGÍA	1	SV63424			
10	PLACA SECUNDARIA (INCLUYE ÍTEM 11)	1	SV63437	SV63437	SV63437	SV63437
11	CONECTOR DE LA PLACA DE CIRCUITOS IMPRESOS (PCB) (CONTROL PRINCIPAL)	1	SV63434	SV63434	SV63434	SV63434
12	CONECTOR DE LA PLACA DE CIRCUITOS IMPRESOS (PCB) (CONTROL AUXILIAR)	1	SV63435	SV63435	SV63435	SV63435
13	CONECTOR DE LA PLACA DE CIRCUITOS IMPRESOS (PCB) (INCLUYE LOS ÍTEMS 10 Y 12)	1	SV63436	SV63441	SV63442	SV63443
14	TRANSFORMADOR	1	SV63438	SV63438	SV63438	SV63438
15	KIT DEL TERMISTOR DEL LADO CALIENTE*	1	SV62481	SV62481	SV62481	SV62481
16	INTERRUPTOR MAGNÉTICO DE PUERTA*	1	SV19060	SV19060	SV19060	SV19060
17	TORNILLO DE PLÁSTICO (JUEGO DE 6)*	1	SV63439	SV63439	SV63439	SV63439
18	KIT DE PIEZAS*	1	SV22488	SV22488	SV22488	SV22488

Sin ilustración*

Sustitución de piezas y reparación

Para que la unidad se conserve en buen estado, debe usar repuestos genuinos Broan-NuTone LLC únicamente. Estas piezas se han diseñado especialmente para cada unidad y se han fabricado conforme a las normas de certificación aplicables y un elevado nivel de seguridad. El uso de repuestos de otros fabricantes podría causar daños graves y reducir radicalmente el desempeño de la unidad, causando así fallas prematuras. Broan-NuTone LLC también aconseja ponerse en contacto con un taller de reparación homologado por Broan-NuTone LLC para todos los repuestos y reparaciones.

2. DISTRIBUCIÓN DEL AIRE



3. INSTALACIÓN

3.1 EXAMEN DEL CONTENIDO DE LA CAJA

Examine el exterior del aparato para ver si hay daños debidos al envío. Compruebe que la puerta, los pestillos, el cable de alimentación, etc., no estén dañados.

3.2 UBICACIÓN DEL APARATO

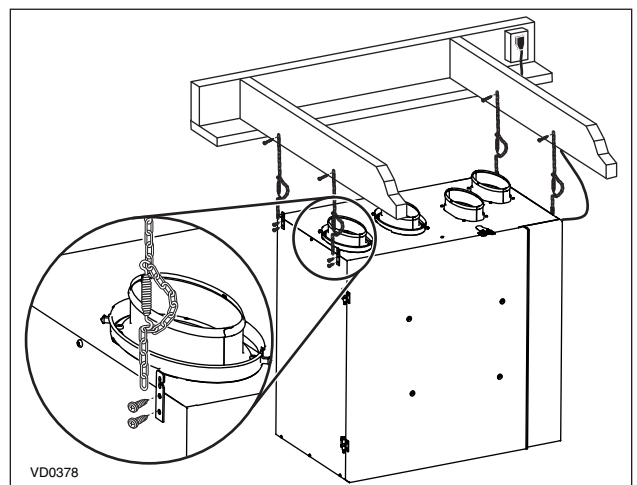
Elija un lugar apropiado para el aparato.

- En una zona de la casa **donde la temperatura ambiente se sitúe entre 50°F y 104°F.**
- Lejos de las zonas habitables (comedor, sala de estar, dormitorio) de ser posible.
- De manera que se tenga acceso fácilmente al interior del aparato para las tareas de mantenimiento semestrales y anuales.

NOTA: Es necesario que haya un espacio de 27" delante de la unidad para poder abrir la puerta completamente. En espacios limitados, la puerta se puede retirar levantántola, pero se necesita un espacio de 18" adelante de la unidad para retirar el núcleo.

- Cerca de una pared exterior para limitar la longitud del tubo flexible aislado que va del aparato al exterior.
- Lejos de las chimenea calientes y otros peligros relacionados con el fuego.
- Cerca de una fuente de alimentación (toma con puesta a tierra de 3 patillas).
- Cerca de un desagüe. Si no hay un desagüe, utilice un balde para recoger los residuos líquidos.

UNIDAD COLGADA CON CADENAS Y MUELLES



La unidad puede colgarse con las 4 cadenas y muelles provistos (véase la ilustración a la derecha) o colgarse de la pared con los soportes provistos (véase la página siguiente).

PRECAUCIÓN

En cualquiera de los casos, verifique que la unidad esté a nivel.

3. INSTALACIÓN (CONTINUACIÓN)

3.2 UBICACIÓN DEL APARATO (CONTINUACIÓN)

UNIDAD COLGADA AL SOPORTE MURAL

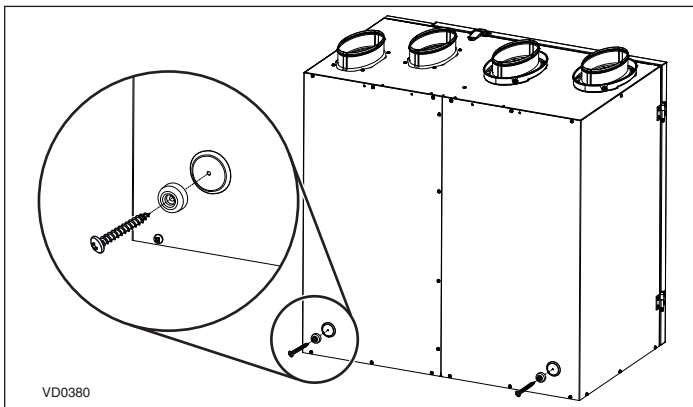
Trace una línea a nivel en la pared; alinee el soporte mural (el más largo) con la línea y fije el soporte a la pared con los 4 tornillos (1½" de largo) y las arandelas provistos, si se usan los huecos del soporte).

⚠ ADVERTENCIA

Compruebe que el soporte mural esté fijado a todos los montantes disponibles y no sólo al panel mural.



Utilice los tornillos largos de 1½" provistos, ensamble los dos espaciadores en las esquinas inferiores izquierda y derecha de la unidad.



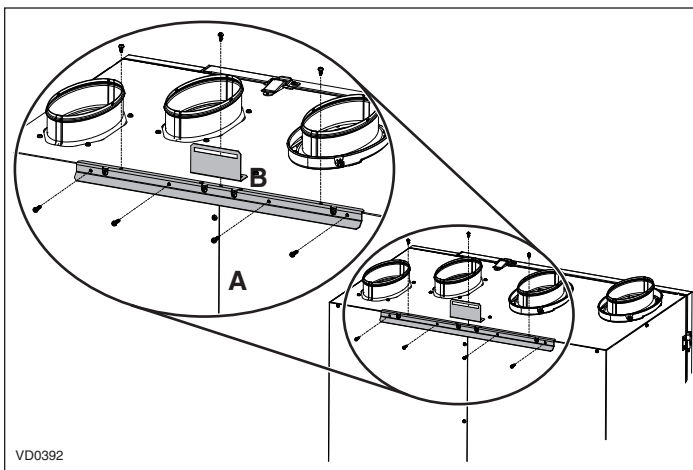
PRECAUCIÓN

No use nunca un destornillador o una taladradora eléctricos para atornillar los soportes a la unidad; use un destornillador normal.

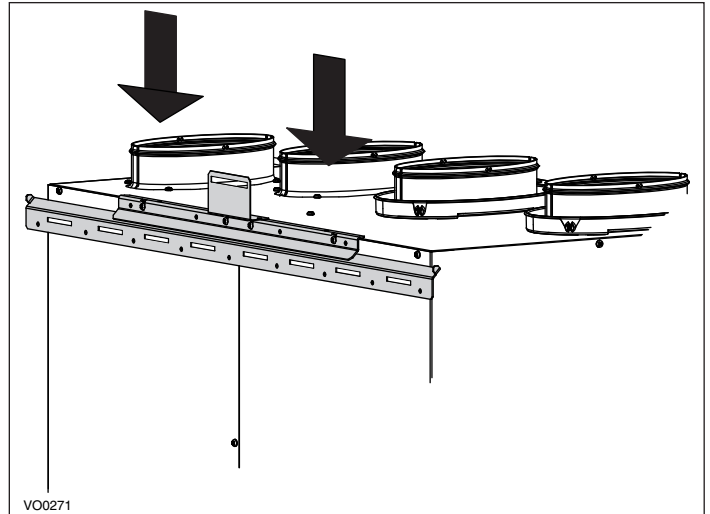


Utilice los tornillos largos de 3/8" provistos; instale el otro soporte (A) en la parte trasera de la unidad; empiece con los 4 tornillos traseros y continúe con los 2 tornillos en la parte superior izquierda y derecha. A continuación, use el último tornillo central para sujetar el último soporte pequeño (B).

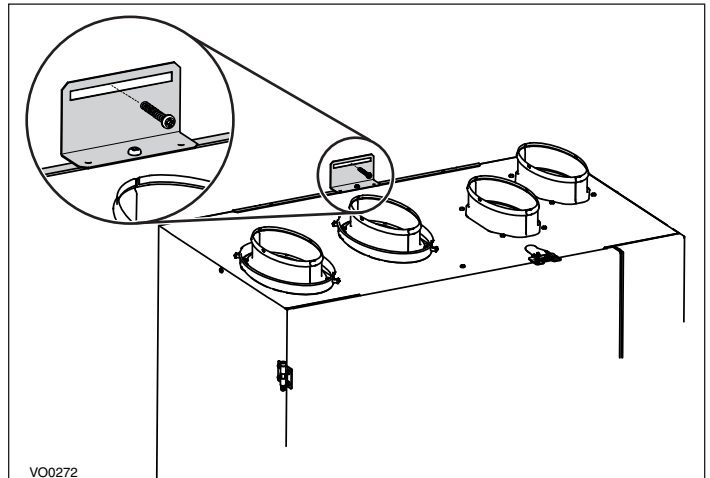
NOTA: Estos tornillos deben apretarse manualmente.



Levante la unidad y cuélguela al soporte mural. Compruebe que el soporte instalado en la parte trasera de la unidad reposa en el soporte mural.



Sujete la unidad a la pared con el tornillo largo de 1½" provisto haciéndolo pasar a través del soporte mural.



3. INSTALACIÓN (CONTINUACIÓN)

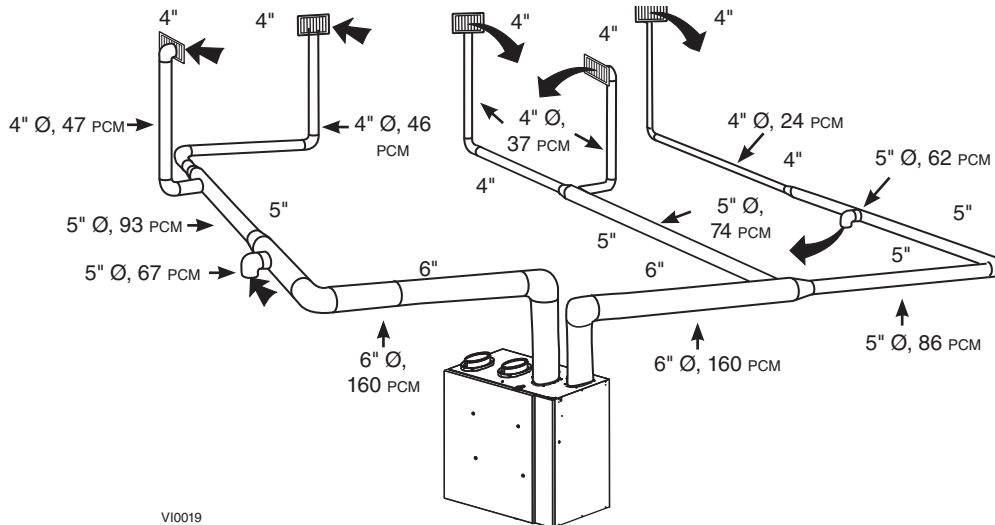
3.3 PLANIFICACIÓN DE LOS TUBOS

- Intente hacer una instalación sencilla. Prevea la menor cantidad posible de tubos curvados y juntas.
- Utilice conductos aislados de una longitud mínima ya que dicha longitud influye directamente en el rendimiento de las corrientes de aire de la unidad.
- No ventile sótanos ni cuartos fríos. No intente recuperar el aire de salida de una secadora o de una campana de cocina. De hacerlo, podrían obstruirse los filtros y el módulo de recuperación.
- Si la casa tiene dos plantas o más, prevea al menos un registro de extracción en la planta más alta habitada.

3.4 TAMAÑO DE LOS CONDUCTOS

Para calcular el tamaño adecuado de los conductos que hay que utilizar, consulte el manual ASHRAE o HRAI.

A continuación se presenta un ejemplo de diseño para un sistema totalmente conectado con conductos con una unidad de un rendimiento a alta velocidad de 160 pi³/min.



3.5 INSTALACIÓN DE LOS TUBOS Y REGISTROS

3.5.1 SISTEMA TOTALMENTE ENTUBADO

⚠ ADVERTENCIA

No instale nunca un registro de aire viciado en un cuarto cerrado donde funcione un dispositivo de combustión, como un horno o caldera de gas, un calentador de agua o una chimenea de leña.

Tubos de extracción de aire viciado

- Instale los registros de extracción del aire viciado donde se producen los contaminantes: cocina, sala de estar, etc. Coloque los registros lo más lejos que pueda de la escalera y de manera que le aire circule por todos los espacios habitados de la casa.
- Si se instala un registro en la cocina, debe colocarse al menos a 4 pies de la campana. Instale los registros a una distancia de entre 6 pulgadas y 12 pulgadas del techo, en una pared interior, O en el techo.
- De ser posible, mida la velocidad del aire que corre a través de los registros. Si es superior a 400 pi/min, el tipo de registro es demasiado pequeño. Sustitúyalo por otro mayor.

Tubos de distribución del aire puro

- Instale los registros de distribución del aire puro en dormitorios, comedores, salas de estar y sótanos.
- Recuerde que los registros de aire puro han de estar lo más lejos posible de los registros de aire viciado.
- Instale los registros en el techo o en la parte superior de las paredes dirigiendo la corriente de aire hacia el techo. (El aire más frío cruzará la parte superior de la habitación y se mezclará con el aire de ésta antes de descender a la altura del ocupante).
- Si hay que instalar un registro en el suelo, dirija la corriente de aire hacia arriba.

3. INSTALACIÓN (CONTINUACIÓN)

3.5 INSTALACIÓN DE LOS TUBOS Y REGISTROS (CONTINUACIÓN)

3.5.2 SISTEMA DE VENTILACIÓN EN PUNTO DE ORIGEN

Tubo de extracción de aire viciado

Siga la misma indicaciones que cuando se trata de un sistema totalmente entubado, descrito en la sección 3.5.1

⚠ ADVERTENCIA

Utilice siempre herramientas y materiales homologados para conectar los tubos. Aténgase a todas las leyes y reglamentos de seguridad correspondientes. Consulte el código de construcción local.

PRECAUCIÓN

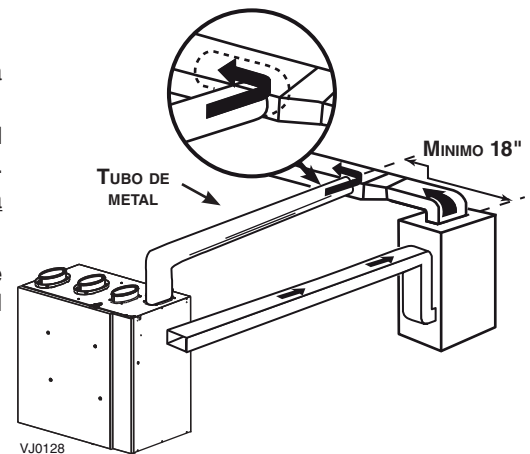
Al conectar un tubo al tubo de alimentación de una caldera, el tamaño de este tubo debe adaptarse para soportar la corriente de aire adicional que produce el aparato. Asimismo, debe utilizarse un tubo de metal.

Tubos de distribución del aire puro

- Hay dos métodos para conectar el aparato a la caldera/armario de tratamiento del aire:

Método 1: Conexión por el lado de la alimentación

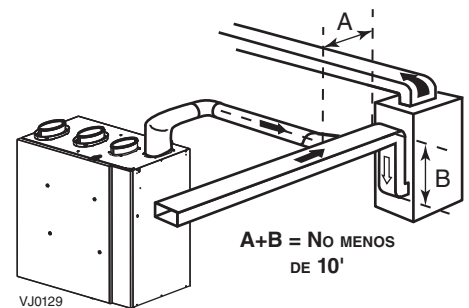
- Corte una apertura en el tubo de alimentación de la caldera al menos a 18 pulgadas de la caldera/armario de tratamiento del aire.
- Conecte esta apertura a la abertura de **Aire puro de entrada** en el edificio del aparato (debe utilizarse un **tubo de metal**, véase la ilustración de la derecha).
- Compruebe que el tubo del aparato forma un codo dentro del tubo de la caldera/armario de tratamiento del aire.
- Si desea, interbloquee (sincronice) el funcionamiento del ventilador impelente de la caldera/armario de tratamiento del aire (véase la sección 5 CONEXIÓN ELÉCTRICA CON LA CALDERA).



Método 2: Conexión por el lado de retorno:

- Corte una apertura en el tubo de retorno de la caldera a no menos de 10 pies de la caldera/armario de tratamiento del aire (A+B).
- Conecte esta apertura a la abertura de **Aire puro de entrada** en el edificio del aparato (véase la ilustración de la derecha).

NOTA : Para el segundo método, no es fundamental que la caldera/armado de tratamiento del aire funcione cuando el aparato está en marcha, pero se aconseja. Si se desea, interbloquee (sincronice) el funcionamiento del ventilador impelente de la caldera/armario de tratamiento del aire (véase la sección 5 CONEXIÓN ELÉCTRICA CON LA CALDERA).



3. INSTALACIÓN (CONTINUACIÓN)

3.5 INSTALACIÓN DE LOS TUBOS Y REGISTROS (CONTINUACIÓN)

3.5.3 INSTALACIÓN SENCILLA

⚠ ADVERTENCIA

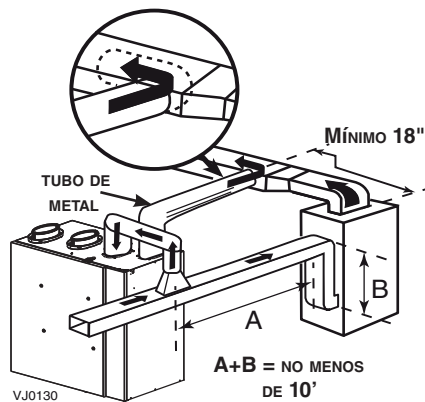
Utilice siempre herramientas y materiales homologados para conectar los tubos. Atégase a todas las leyes y reglamentos de seguridad correspondientes. Consulte el código de construcción local.

PRECAUCIÓN

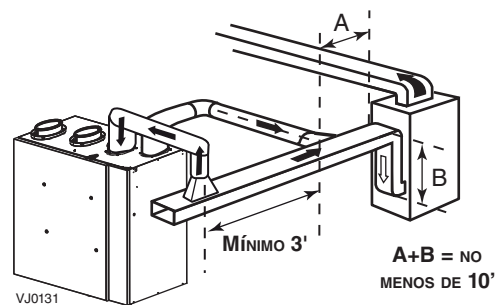
Al realizar las conexiones de los tubos con el tubo de alimentación de la caldera (Método 1), debe adaptarse el tamaño de este tubo para soportar la corriente de aire adicional que produce el aparato. Asimismo, debe utilizarse un tubo de metal. Para una instalación retorno-retorno, es obligatorio que el ventilador impelente de la caldera funcione cuando el aparato esté funcionado.

Hay dos métodos para conectar el aparato a la caldera/armario de tratamiento del aire:

Método 1: Conexión alimentación-retorno



Método 2: Retorno-retorno



Admisión de aire viciado

- Corte una apertura en el tubo de retorno de la caldera/armario de tratamiento del aire a no menos de 10 pies de la caldera/armario de tratamiento del aire (A+B).
- Conecte esta apertura a la **apertura de aire de salida del edificio** del aparato.

Distribución del aire puro

- Las instrucciones son las mismas que para el método 1 o 2, sección 3.5.2.
- Para el método 2 (retorno-retorno), compruebe que hay una distancia de al menos 3 pies (0.9 m) entre las 2 conexiones con la caldera/armario de tratamiento del aire.

PRECAUCIÓN

Si se utiliza el método 2, compruebe que el funcionamiento del ventilador impelente de la caldera/armario de tratamiento del aire está sincronizado con el del aparato, véase la sección 5.

NOTA: Para el método 1, no es esencial sincronizar el funcionamiento del ventilador impelente de la caldera con el aparato, pero se aconseja.

3. INSTALACIÓN (CONTINUACIÓN)

3.6 CONEXIÓN DE LOS TUBULOS AL APARATO

NOTA: Todas las bocas de los aparatos han sido diseñadas para conectarse a tubos de un diámetro mínimo de 6", pero de ser necesario, se pueden conectar con tubos de mayor diámetro utilizando un cambio de sección adecuado (p. ej., un cambio de sección de 6" a 7" de diámetro).

Tubos flexibles aislados

Siga el método siguiente para conectar los tubos flexibles aislados a la abertura del aparato (**aberturas Aire de salida hacia el exterior y Aire puro del exterior**).

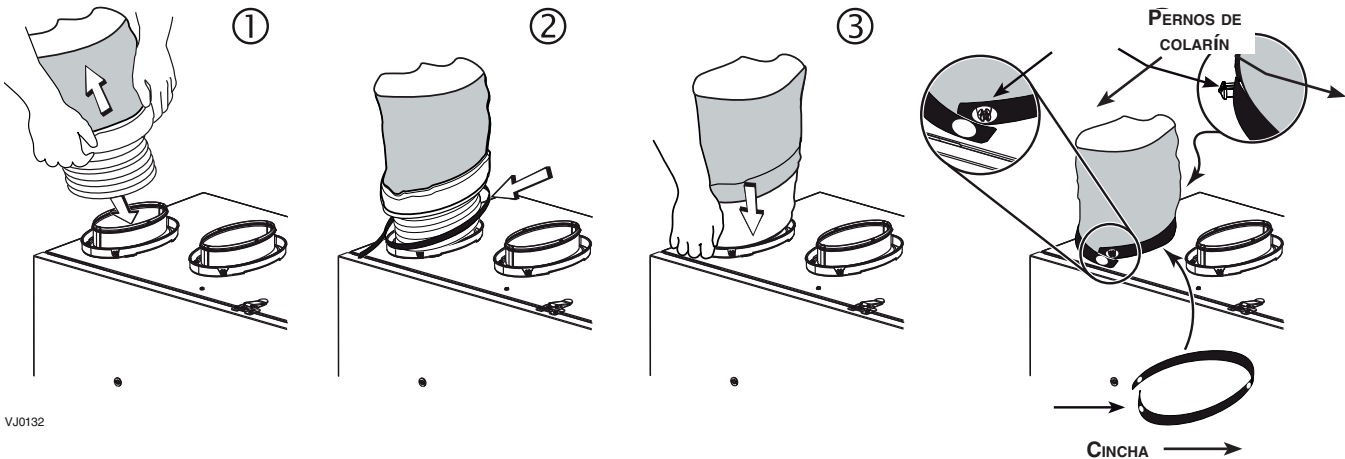
PRECAUCIÓN

Si los tubos tienen que pasar a través de un espacio no acondicionado (como un desván), utilice siempre tubos aislados.

- ① Tire hacia atrás el aislamiento para dejar a la vista el tubo flexible.
- ② Coloque el tubo flexible en la abertura por medio de la sujeción autobloqueante.
- ③ Tire del aislamiento, colóquelo sobre la junta metiéndolo entre el anillo interior y el exterior del collarín doble.
- ④ Pase la película impermeable al vapor (parte sombreada de la ilustración de abajo) por encima del anillo exterior cubriéndolo completamente. Sujete la película impermeable con la cincha de la boca (incluida en la bolsa de piezas). Para ello, introduzca un perno de collarín a través de la película impermeable y del primer agujero de la cincha; a continuación, introduzca el otro perno de collarín a través de la película impermeable y del agujero central de la cincha y cierre el lazo introduciendo el primer perno de collarín en el último agujero de la cincha.

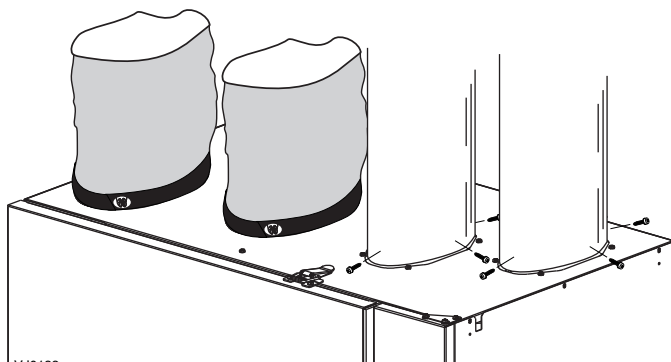
PRECAUCIÓN

Procure que la película impermeable al vapor de los tubos aislados no se rompa durante la instalación para evitar que se forme condensación en los tubos.



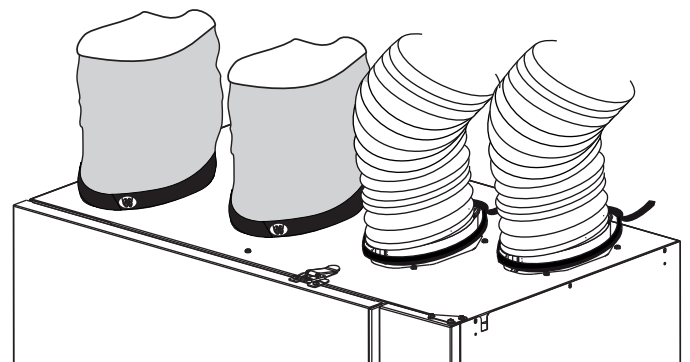
Tubos rígidos no aislados

Utilice tornillos metálicos y cinta adhesiva para tubos para conectar los tubos rígidos a las bocas del aparato.



Tubos flexibles no aislados

Utilice cintas de amarre para conectar los tubos flexibles a las bocas del aparato.



VJ0133

3. INSTALACIÓN (CONTINUACIÓN)

3.7 INSTALACIÓN DE 2 BOCAS EXTERIORES

Eligir un lugar apropiado para to instalar las bocas exteriores:

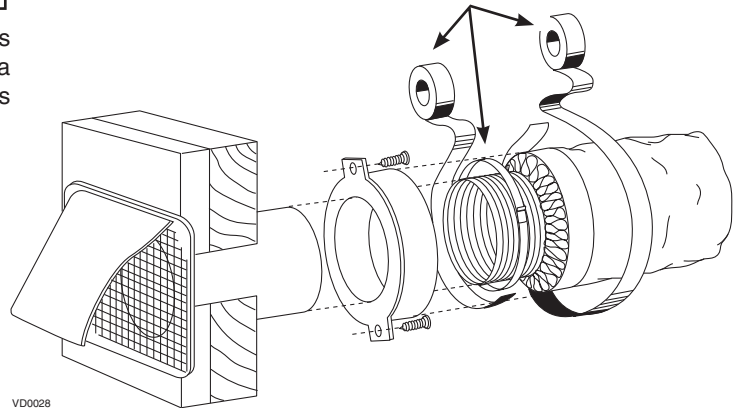
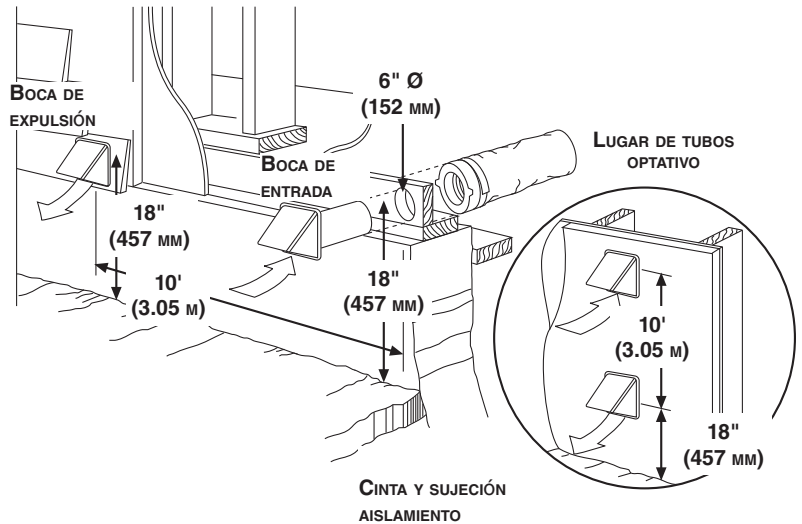
- Es preciso que haya una distancia mínima de 10 pies entre las bocas para evitar la contaminación cruzada.
- Es preciso que haya una distancia mínima de 18 pulgadas del suelo.

⚠ ADVERTENCIA

Compruebe que la boca de entrada del aire puro se encuentra a una distancia mínima de 6 pies (1.8 m) de los siguientes elementos:

- Salida de secadora, de caldera de alto rendimiento, de aspirador central
- Salida de un gasómetro o una parrilla de gas
- Cualquier salida de una fuente de combustión
- Un cubo de basura y cualquier otra fuente de contaminación.

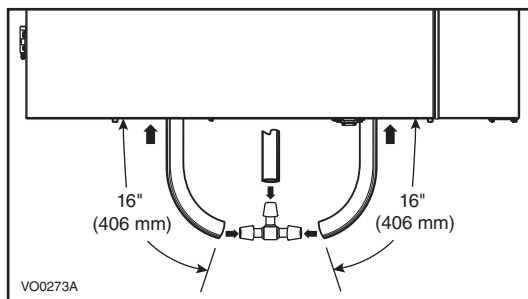
Véase la ilustración de la derecha para la conexión de los tubos flexibles aislados a los bocas exteriores. Una "boca de entrada con anti-ráfada" debe ser instalada en regiones donde baja mucha nieve.



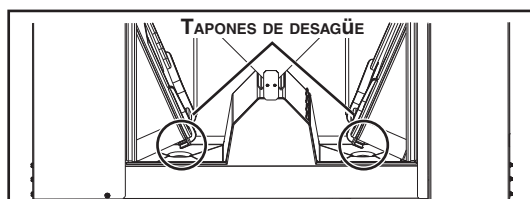
3.8 CONEXIÓN DEL DESAGÜE

PRECAUCIÓN

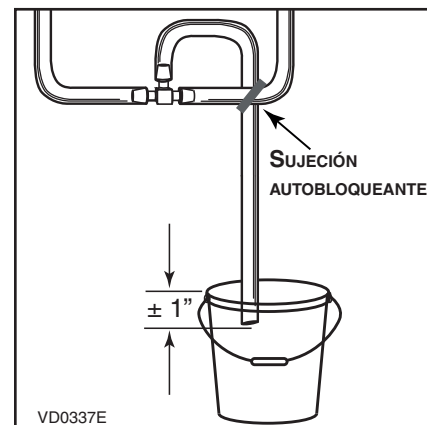
Para modelos HRV, debe instalare un tubo de desagüe (incluido). Para modelos ERV, no es necesario, aunque se aconseja en climas en los que la temperatura exterior normalmente si sitúa por debajo de -13°F durante un periodo de 24 horas durante varios días seguidos y la humedad interior es del 40% o más.



Corte dos secciones del tubo de plástico de una longitud mínima de 16" y conecte cada una de ellas con los desagües interiores situados debajo del aparato. Una ambas secciones cortas al empalme en "T" y al tubo principal, como se ve en la ilustración.



NOTA: Para modelos ERV, retire ambos tapones de desagüe que hay dentro del aparato antes de instalar los tubos.



Haga un lazo de retención en el tubo para evitar que se desprendan malos olores de la fuente de desagüe. El lazo debe pasar POR ENCIMA del empalme en "T", como se ve en la ilustración. Lleve el tubo al desagüe del suelo, a otro tubo de desagüe o a un balde.

IMPORTANTE

Si se utiliza un balde para recoger el agua, tiene que colocar la punta del tubo aproximadamente a 1" de la parte superior del balde para evitar que el agua retroceda en el aparato.

4. CONTROLES

4.1 SECUENCIA DE PUESTA EN MARCHA

La secuencia de puesta en marcha del aparato es similar a la de una computadora personal. Cada vez que se enchufa el aparato después de haberlo desenchufado o tras un corte de corriente, el aparato pasará por una secuencia de puesta en marcha de unos 30 segundos antes de empezar a funcionar. Durante la secuencia, el aparato está verificando y tratando de reconfigurar la posición del registro motorizado. Una vez terminada esta operación, the booting sequence is done.

NOTA: el aparato no acepta ninguna instrucción hasta que se haya puesto en marcha totalmente.

4.2 CONEXIÓN ELÉCTRICA DEL CONTROL O CONTROLES MURALES

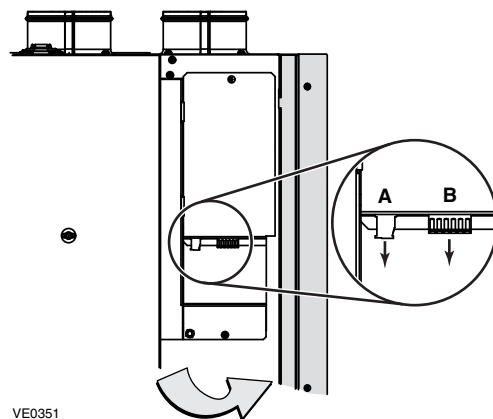
⚠ ADVERTENCIA

El control mural VT9W es el único control mural principal compatible con la unidad. No trate nunca de instalar otro modelo de control mural. Desconecte siempre la unidad antes de cualquier conexión. Si no desconecta la alimentación, podría producirse una descarga eléctrica o daños en el control mural o en el módulo electrónico dentro de la unidad.

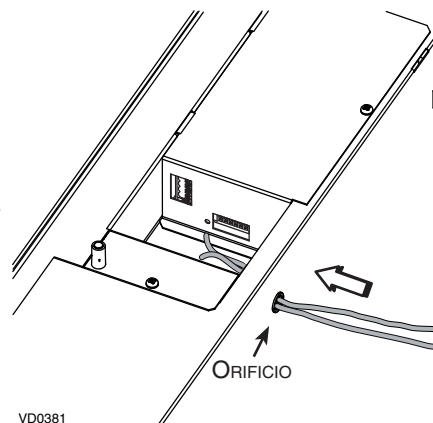
PRECAUCIÓN

De no seguirse las siguientes instrucciones, la unidad y/o el control mural podrían funcionar incorrectamente: No instale nunca más de un control de pared principal opcional por aparato. Compruebe que los cables no hagan cortocircuito entre ellos o tocando otros componentes del control de pared. Evite las malas conexiones de los cables. Para reducir la interferencia eléctrica (ruido) potencial, no pase los cables del control de pared cerca de los contactores de control ni de circuitos de atenuación de la luz, motores eléctricos, alimentación de viviendas o edificios, cables de iluminación o tableros de distribución de energía.

Desenchufe la fuente de alimentación de la unidad. Abra el tablero lateral para tener acceso a los bloques de terminales (A es para la conexión del control principal únicamente y B es para el control auxiliar). Saque de la placa de la unidad los conectores necesarios.



Pase el extremo del hilo o hilos de control a través del orificio situado en la pared de la unidad. Consulte la ilustración de la derecha (se ha suprimido de la imagen el tablero lateral para poder entender las instrucciones).



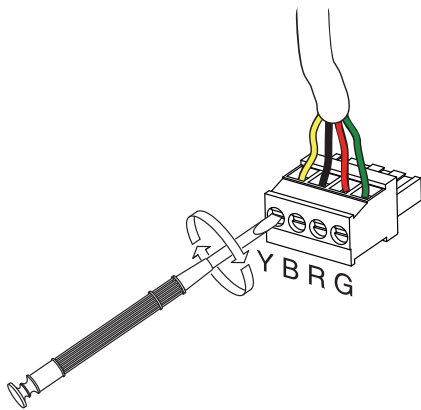
4. CONTROLES (CONTINUACIÓN)

4.2 CONEXIÓN ELÉCTRICA DEL CONTROL O CONTROLES MURALES (CONTINUACIÓN)

4.2.1 CONEXIÓN DE LOS BLOQUES DE TERMINALES

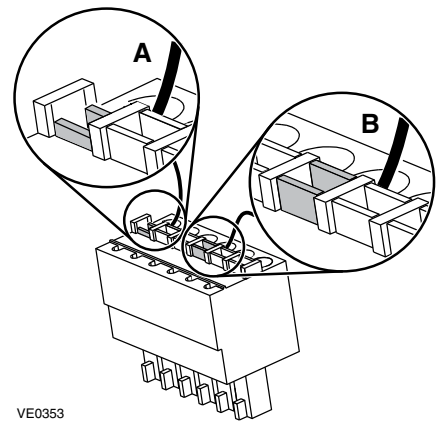
BLOQUE DE TERMINALES DEL CONTROL PRINCIPAL

Pele el extremo del cable del control principal para tener acceso a los 4 hilos. Pele el extremo de cada hilo. Utilice un pequeño destornillador de punta plana para conectar cada hilo a su terminal correspondiente consultando para ello la pegatina pegada en la unidad: el hilo AMARILLO se conecta a "Y", el NEGRO a "B", el ROJO a "R" y el VERDE a "G".



BLOQUE DE TERMINALES DEL CONTROL AUXILIAR

Pele el extremo del cable del control auxiliar para tener acceso a los hilos. Pele el extremo de los 3 hilos. Verifique si todos los hilos están introducidos correctamente en sus agujeros correspondientes del bloque de terminales. (Un hilo está introducido correctamente cuando su receptáculo naranja está más bajo que el de un receptáculo sin hilo. En la ilustración de abajo el hilo **A** está introducido correctamente pero el hilo **B** no.)

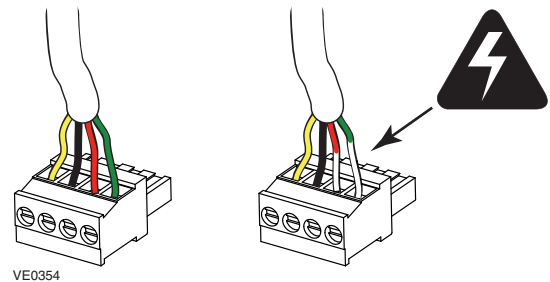


VE0353

CORRECTO

INCORRECTO

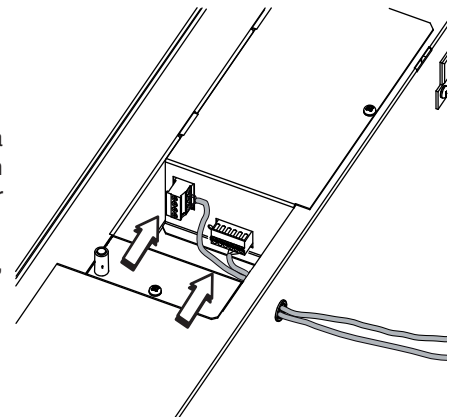
Al pelar los hilos, quite sólo la longitud de la funda que sea necesaria con el fin de evitar cortocircuitos.



VE0354

Cuando se hayan hecho las conexiones de los bloques de terminales, vuelva a instalar los bloques en la placa de circuitos impresos (PCB). Consulte la ilustración de la derecha (se ha suprimido de la imagen el tablero lateral para poder entender las instrucciones). Cierre el tablero lateral.

NOTA: Para informarse sobre el funcionamiento de los controles murales, consulte su ficha de instalación.

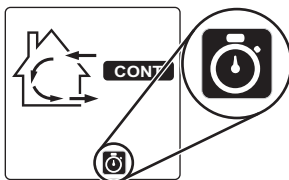
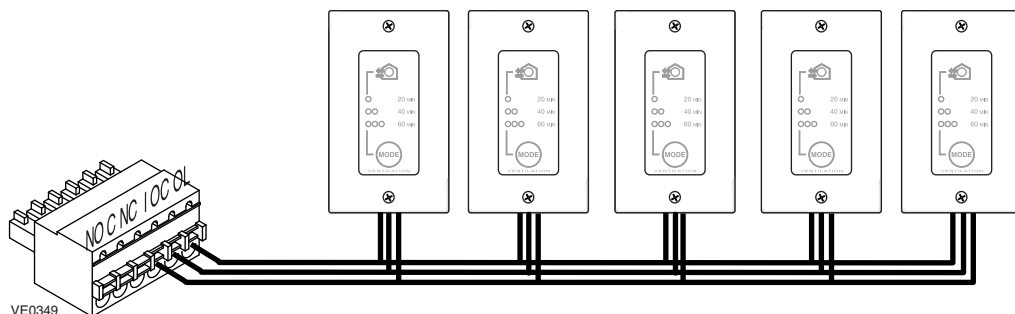


4. CONTROLES (CONTINUACIÓN)

4.2 CONEXIÓN ELÉCTRICA DEL CONTROL O CONTROLES MURALES (CONTINUACIÓN)

4.2.2 CONEXIÓN ELÉCTRICA CON EL CONTROL O CONTROLES AUXILIARES OPCIONALES VB60W

Se pueden instalar hasta cinco (5) controles auxiliares VB60W



Cuando se use, la activación del control auxiliar VB60W anulará el funcionamiento del control principal así como el ciclo de deshielo de la unidad. En el ejemplo que se muestra a la izquierda, la unidad estaba en modo CONT cuando se activó el control auxiliar; el modo de funcionamiento real permanece en la pantalla del control mural principal VT9W, pero aparece el icono del cronómetro en cuanto se activa el control auxiliar VB60W.

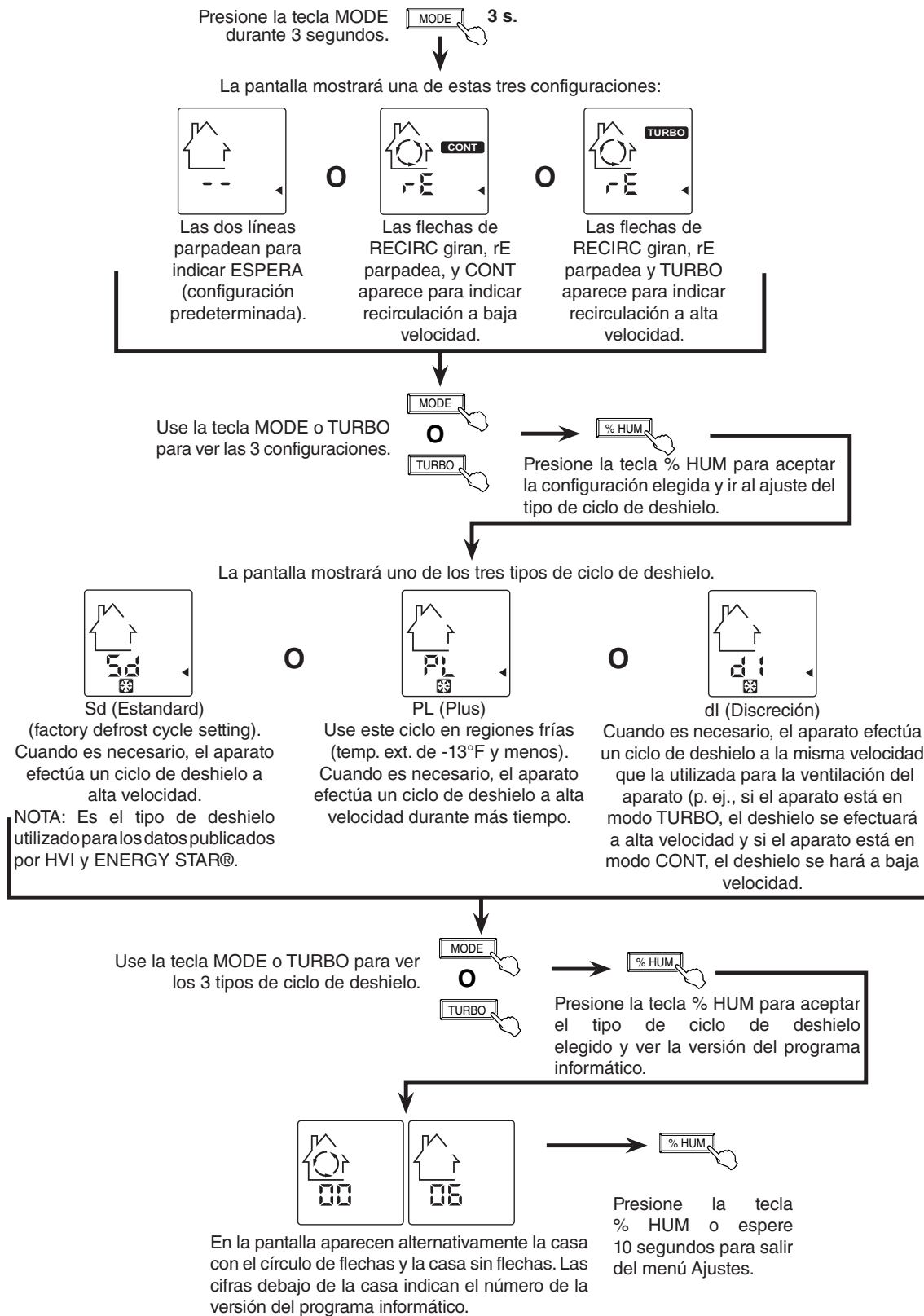
NOTA: En las regiones más frías el icono del cronómetro puede permanecer cuando termine el ciclo de VB60W debido al ciclo de deshielo.

4. CONTROLES (CONTINUACIÓN)

4.3 CONFIGURACIÓN DEL FUNCIONAMIENTO DE LA UNIDAD EN LOS 40 MINUTOS RESTANTES EN EL MODO 20 MIN/H Y CONFIGURACIÓN DEL TIPO DE CICLO DE DESHIELO DE LA UNIDAD MEDIANTE EL CONTROL MURAL PRINCIPAL VT9W.

CAUTION

Configure la descongelación ampliada en todos los aparatos situados en climas donde la temperatura exterior normalmente permanece por debajo de -13°F (p. ej., Bemidji, MN; Duluth, MN; Fargo, ND; Fairbanks, AK) durante un período de 24 horas varios días seguidos, combinada con una humedad interior del 40 % o superior.



5. CONEXIÓN ELÉCTRICA CON LA CALDERA

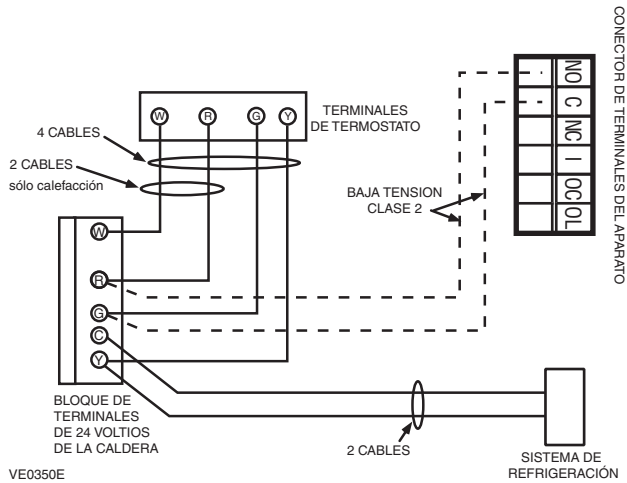
⚠ ADVERTENCIA

No conecte nunca un circuito de corriente alterna de 120 voltios a los terminales del interbloqueo de la caldera (cableado estándar). Utilice sólo el circuito de clase 2 de bajo voltaje del control del ventilador impelente de la caldera.

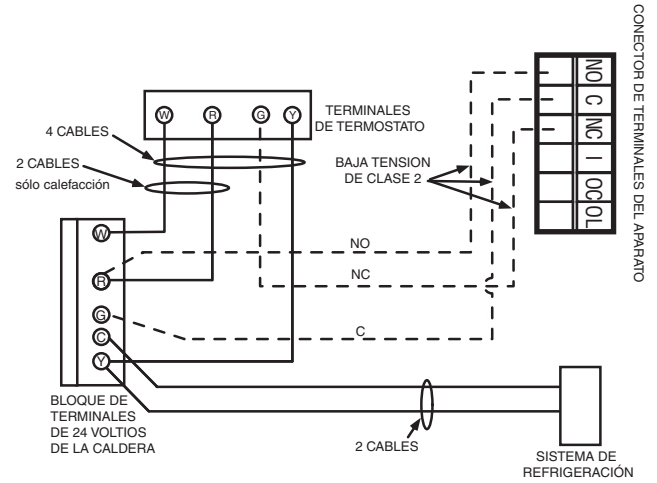
Para una caldera conectada a un sistema de refrigeración:

En algunos termostatos más antiguos, si se activan los terminales «R» y «G» en la caldera, se activaría también el terminal «Y» en el termostato y se pondría en marcha el sistema de refrigeración. Si reconoce este tipo de termostato, utilice el CABLEO DE INTERBLOQUEO ALTERNATIVO DE LA CALDERA.

CABLEADO DE INTERBLOQUEO ESTÁNDAR DE LA CALDERA



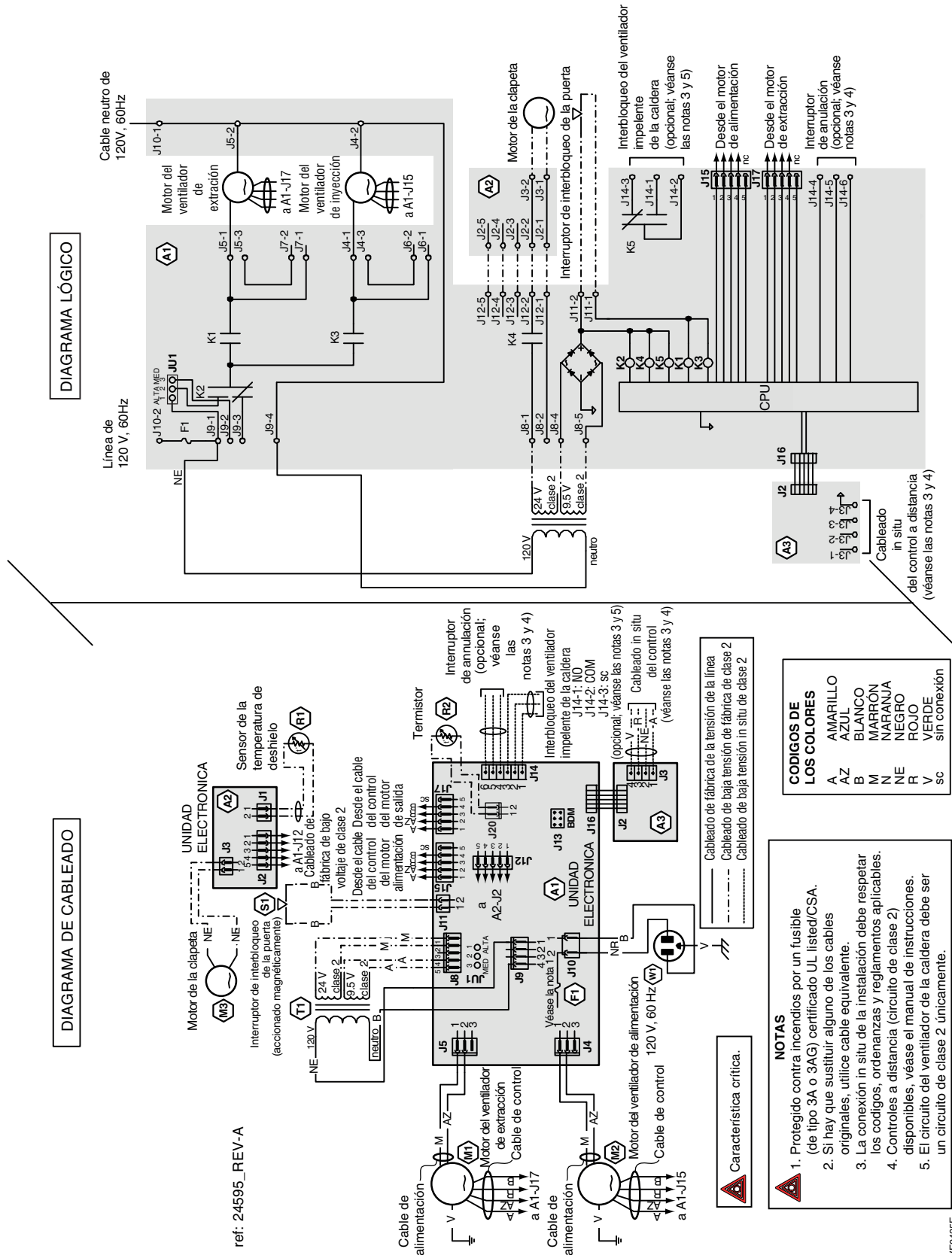
CABLEADO DE INTERBLOQUEO ALTERNATIVO DE LA CALDERA



6. DIAGRAMA DE CABLEADOS

⚠ ADVERTENCIA

- **Riesgo de descarga eléctrica.** Antes de cualquier trabajo de reparación o mantenimiento, desconecte siempre el aparato de su fuente de alimentación.
- Este producto está equipado con una protección contra la sobrecarga (fusible). Un fusible fundido indica que se ha producido una sobrecarga o cortocircuito. Si el fusible se funde, desenchufe el aparato. Deje de utilizar el aparato y póngase en contacto con el servicio de asistencia técnica.



CODIGOS DE LOS COLORES

A	AMARILLO
AZ	AZUL
B	BLANCO
M	MARRON
N	NARANJA
NE	NEGRO
R	ROJO
V	VERDE
SC	sin conexión

- #### NOTAS
1. Protegido contra incendios por un fusible (de tipo 3A o 3AG) certificado UL listed/CSA.
 2. Si hay que sustituir alguno de los cables originales, utilice cable equivalente.
 3. La conexión in situ de la instalación debe respetar los códigos, ordenanzas y reglamentos aplicables.
 4. Controles a distancia (circuito de clase 2) disponibles, véase el manual de instrucciones.
 5. El circuito del ventilador de la caldera debe ser un circuito de clase 2 únicamente.

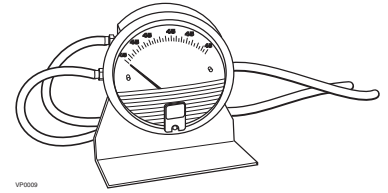
⚠ Característica crítica.

— Cableado de fábrica de la tensión de la línea
 - - - Cableado de baja tensión de fábrica de clase 2
 Cableado de baja tensión in situ de clase 2

7. EQUILIBRADO DEL APARATO

7.1 ELEMENTOS NECESARIOS PARA EQUILIBRAR EL APARATO

- Un control mural principal VT9W cerca de la unidad.
- Un caudalímetro de hélice capaz de medir de 0 pulgada a 0.5 pulgadas de agua (0 Pa a 125 Pa) y 2 tubos de plástico.
- Cuadro de equilibrado del aparato.



7.2 ETAPAS PRELIMINARES PARA EQUILIBRAR EL APARATO

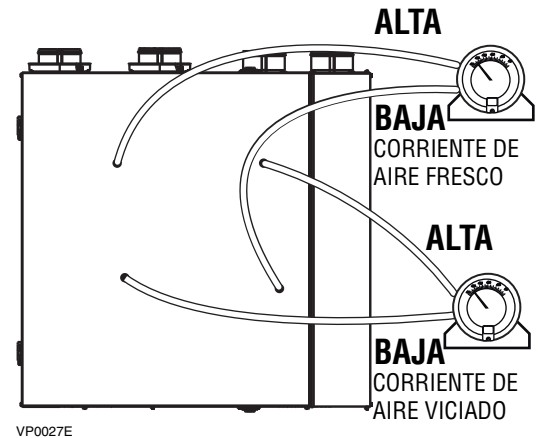
- Obture todos los tubos del aparato con cinta. Cierre todas las ventanas y puertas.
- Apague todos los dispositivos de extracción, como la campana de cocina, la secadora y los ventiladores del baño.
- Compruebe que todos los filtros estén limpios (si no es la primera vez que equilibra el aparato).

NOTA: Compruebe que el ventilador impelente de la caldera/armario de tratamiento del aire esté en posición ON (encendido) si la instalación está de alguna forma conectada a los tubos de retorno de aire frío. De no ser así, deje el ventilador impelente de la caldera/armario de tratamiento del aire en posición OFF (apagado).

7.3 USO DE CAUDALÍMETROS DE HÉLICE

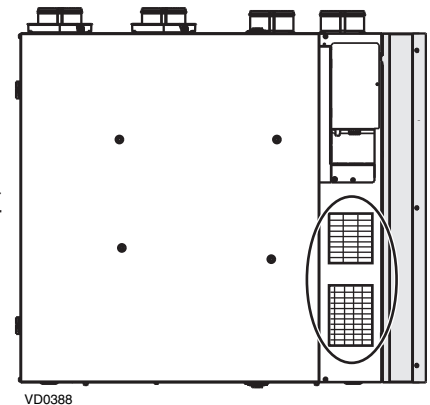
1. Coloque el caudalímetro de hélice sobre una superficie a nivel y póngalo en cero.
2. Según la corriente de aire que se vaya a medir, conecte un tubo entre el caudalímetro y la toma de presión de la corriente de aire VICIADO o la toma de presión de la corriente de aire FRESCO (véase la ilustración de la derecha).

Compruebe que conecta los tubos a los empalmes apropiados alta o baja. Si el caudalímetro desciende por debajo de cero, invierta las conexiones de los tubos.



7.4 CUADRO DE EQUILIBRADO Y TABLA DE VELOCIDADES PRESELECCIONADAS

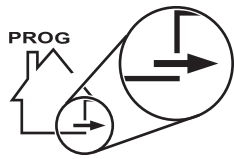
El cuadro de equilibrado y la tabla de velocidades preseleccionadas están colocados en la unidad, detrás de la puerta de derecha (en la ilustración de la derecha están rodeados por un círculo).



7. EQUILIBRADO DEL APARATO (CONTINUACIÓN)

7.4 CUADRO DE EQUILIBRADO Y TABLA DE VELOCIDADES PRESELECCIONADAS (CONTINUACIÓN)

Use el cuadro de equilibrado para convertir los valores de presión (pulgadas de columna de agua o in. w.g.) del caudalímetro de hélice a valores de corriente de aire (pi³/min). Durante la conversión, la pantalla del control mural principal VT9W muestra las tomas de presión que han de usarse. Véase el ejemplo de abajo.



Enchufe el tubo del caudalímetro de hélice a la corriente de aire VICIADO.



Enchufe el tubo del caudalímetro de hélice a la corriente de aire FRESCO.

CUADRO DE EQUILIBRADO DE LA UNIDAD

CORRIENTE	FRESCO	VICIADO
pi ³ /min	IN. W.G.	IN. W.G.
120	0.71	0.73
125	0.67	0.70
130	0.63	0.67
135	0.59	0.64
140	0.55	0.61
145	0.51	0.58
150	0.47	0.55

Valor del aire VICIADO con su valor en pi³/min correspondiente.

Valor del aire FRESCO con su valor en pi³/min correspondiente

NOTA: La unidad se considera equilibrada aunque haya una diferencia de ± 10 pi³/min (o ± 5 L/s o 17 m³/h) entre las dos corrientes de aire.

El diseño especial de estas unidades, combinado con el control mural principal VT9W, ofrece numerosas gamas de velocidades preseleccionadas, según los modelos.

Véase abajo el ejemplo de tabla de velocidades preseleccionadas.

TABLA DE VELOCIDADES PRESELECCIONADAS


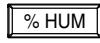

MODELO DE LA UNIDAD				
Nº DE VELOCIDAD PRESELECCIONADA	TURBO ALTA VELOCIDAD (PI ³ /MIN@ 0.4 IN. W.G.)	CONT BAJA VELOCIDAD (PI ³ /MIN@ 0.2 IN. W.G.)	 VB60W CONTROL AIRE VICIADO (PI ³ /MIN@ 0.4 IN. W.G.)	RECIRC VELOCIDAD DE RECIRCULACIÓN (PI ³ /MIN@ 0.4 IN. W.G.)
--	De 60 a 250	De 30 pi ³ /min a 75 % de la velocidad TURBO ajustada	De 60 a 250	De 60 a 250
01	250	125	250	250
02	225	110	250	225
03	200	100	250	200
04	175	85	225	175
05	150	75	200	150
06	125	60	175	125
07	100	50	150	100
08	Esta velocidad esta para prueba de HVI a 64 pi ³ /min a 13°F (-25°C)			
09	Esta velocidad debe estar utilizada para prueba de HVI a 98 pi ³ /min a 13°F (-25°C)			

7. EQUILIBRADO DEL APARATO (CONTINUACIÓN)

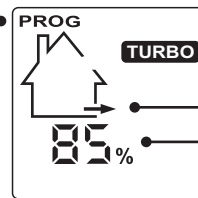
7.5 PROCEDIMIENTO DE EQUILIBRADO

① Conecte un control mural principal VT9W próximo a la unidad.

INFORMACIÓN GENERAL SOBRE EL USO DEL CONTROL MURAL VT9W EN EL PROCEDIMIENTO DE BALANCEO DE LA UNIDAD

-  Presione la tecla MODE para aumentar el valor.
-  Presione la tecla % HUM para aceptar.
-  Presione la tecla TURBO para disminuir el valor.

PROG parpadea en la pantalla mientras esté en los menús de configuración del modo de funcionamiento (velocidades preseleccionadas o velocidades convencionales). Desaparece de la pantalla cuando se hayan hecho todas las configuraciones o cuando no se produzca ningún cambio durante 60 segundos.

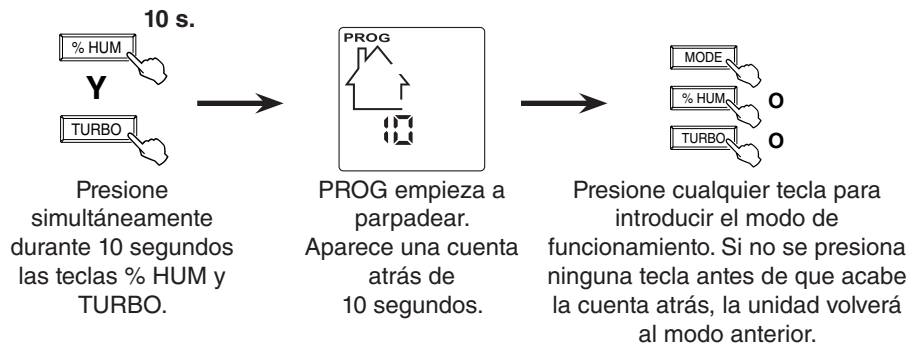


Esta sección de la etiqueta muestra la velocidad que se está seleccionando (p. ej., TURBO).

La flecha muestra dónde hay que instalar el tubo del caudalímetro de hélice (p. ej., SALIDA DEL AIRE).

Indicador de la velocidad del motor.

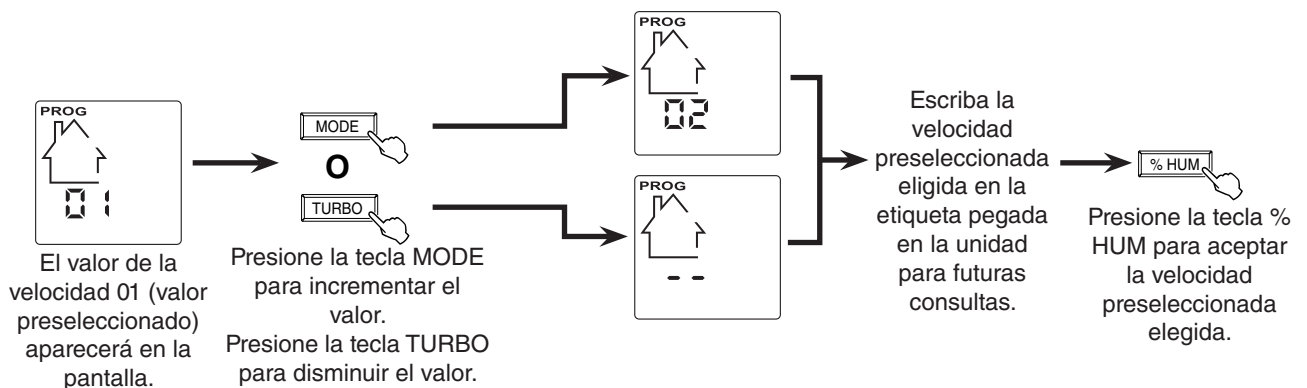
② Introduzca el modo de funcionamiento.



Elija entre dos opciones:

- 01, 02, etc.: velocidades preseleccionadas (balancear la unidad únicamente, es la opción más rápida)
- - -: Velocidades convencionales (ajustar la velocidad TURBO y balancear la unidad; a continuación, establecer las velocidades de CONT, de control VB60W y de RECIRC).

③ Seleccione las velocidades preseleccionadas o velocidades convencionales.



NOTA: A partir del valor 01, si presiona la tecla TURBO tendrá acceso a los parámetros de las velocidades convencionales (véase la página 23).

④ Conecte a la unidad los tubos del caudalímetro (véase 7.3).

7. EQUILIBRADO DEL APARATO (CONTINUACIÓN)

7.5 PROCEDIMIENTO DE EQUILIBRADO (CONTINUACIÓN)

- ⑤ Si la velocidad de la unidad está cerca de su velocidad más alta, se aconseja tomar la medida de los dos corrientes de aire y de notarlos.
- ⑥ Consulte el cuadro de equilibrado de la unidad para encontrar el valor pi³/min correspondiente.
- ⑦ Determine la corriente de aire que debe ajustarse (la corriente de aire más alta debe disminuirse hasta igualar a la más baja). Véase el ejemplo de abajo.

Presión in. w.g.	Fresco pi ³ /min	Viciado pi ³ /min
0.31	152	155
0.32	156	159
0.33	159	162
0.34	162	166
0.35	165	169
0.36	168	172
0.37	171	176
0.38	174	179
0.39	177	183
0.40	180	186
0.41	183	189
0.42	186	193
0.43	189	196
0.44	193	200
0.45	196	203
0.46	199	206
0.47	202	210
0.48	205	213
0.49	208	217
0.50	211	220
0.51	214	223
0.52	217	227
0.53	220	230
0.54	223	234
0.55	226	237

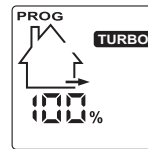
Valor de la medición del aire VICIADO con su valor pi³/min correspondiente

Valor de la medición del aire FRESCO con su valor pi³/min correspondiente

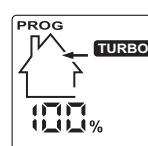
NOTA: En las primeras mediciones de las corrientes de aire para la velocidad 01 de la tabla, los valores de las corrientes de aire viciado y de aire fresco que aparecen en la pantalla de control son el 100 %.

Antes del ajuste de la corriente de aire

Medición de la corriente de aire VICIADO: 0.41 in. w.g., 189 pi³/min

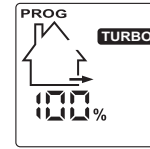


Medición de la corriente de aire FRESCO: 0.50 in.w.g., 211 pi³/min

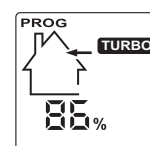


Después del ajuste de la corriente de aire

Medición de la corriente de aire VICIADO: 0.41 in. w.g., 189 pi³/min



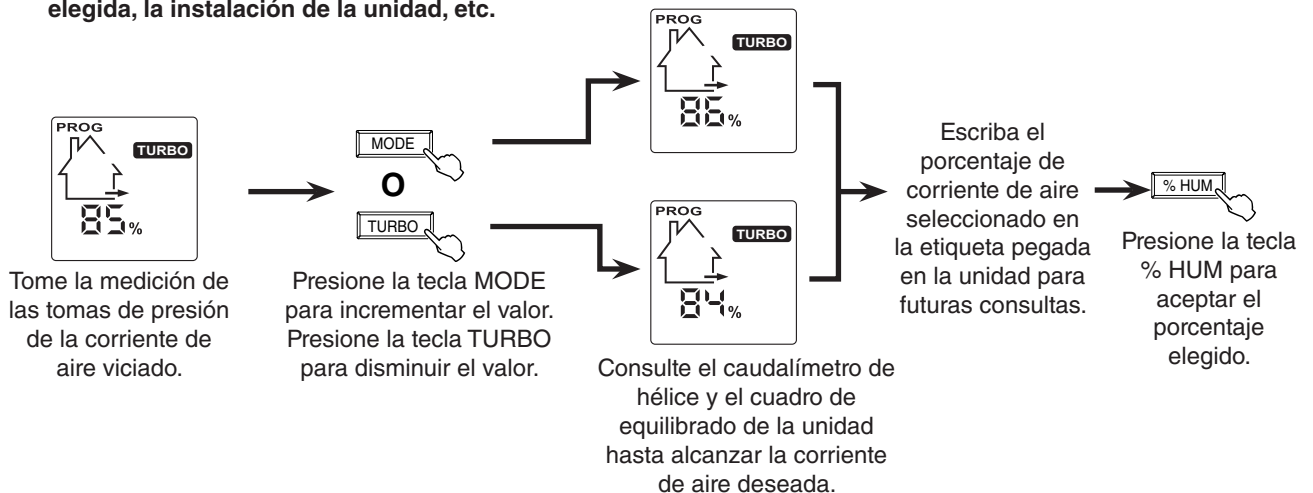
Medición de la corriente de aire FRESCO: 0.43 in. w.g., 189 pi³/min



En tal caso, la corriente de aire FRESCO debe bajarse hasta alcanzar el valor de la corriente de aire VICIADO.

- ⑧ Ajuste la velocidad TURBO del aire viciado (o presione la tecla % HUM para dejarla tal cual).

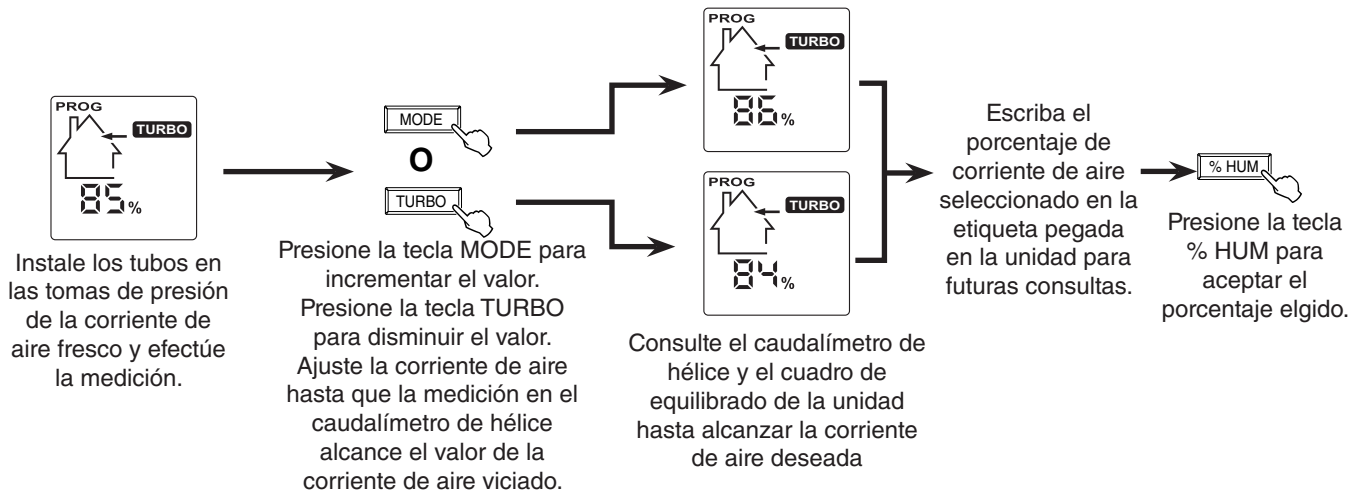
NOTA : Las valores siguientes son ejemplos. Los valores reales pueden variar según la velocidad preseleccionada elegida, la instalación de la unidad, etc.



7. EQUILIBRADO DEL APARATO (CONTINUACIÓN)

7.5 PROCEDIMIENTO DE EQUILBRADO (CONTINUACIÓN)

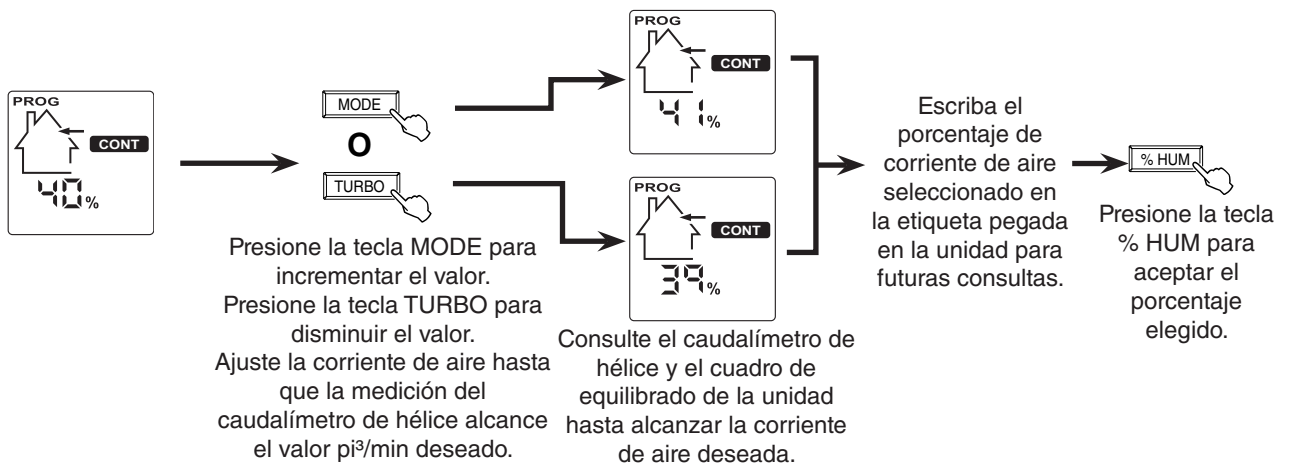
⑨ Ajuste la velocidad TURBO del aire viciado (o presione la tecla % HUM para dejarla tal cual).



Si ha seleccionado el equilibrado de la velocidad preseleccionada en la etapa ⑦, el procedimiento de equilibrado está terminado.

Si ha seleccionado el equilibrado de la velocidad convencional, continúe de la siguiente manera:

⑩ Ajuste la velocidad CONT.

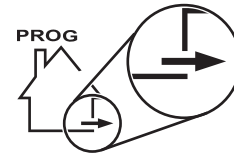


7. EQUILIBRADO DEL APARATO (CONTINUACIÓN)

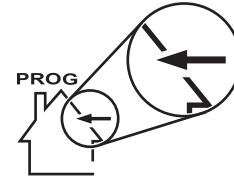
7.5 PROCEDIMIENTO DE EQUILIBRADO (CONTINUACIÓN)

⑪ Seleccione la velocidad de control VB60W

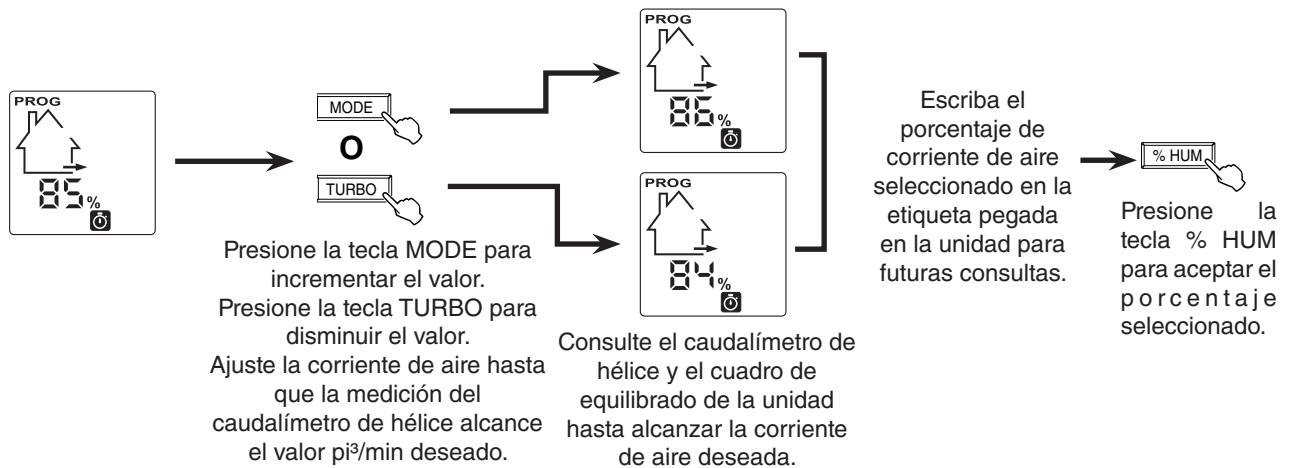
NOTA: Según la instalación, el tubo del caudalímetro de hélice puede conectarse a la corriente de aire de salida O de alimentación. La flecha de la pantalla mostrará la corriente de aire que hay que ajustar.



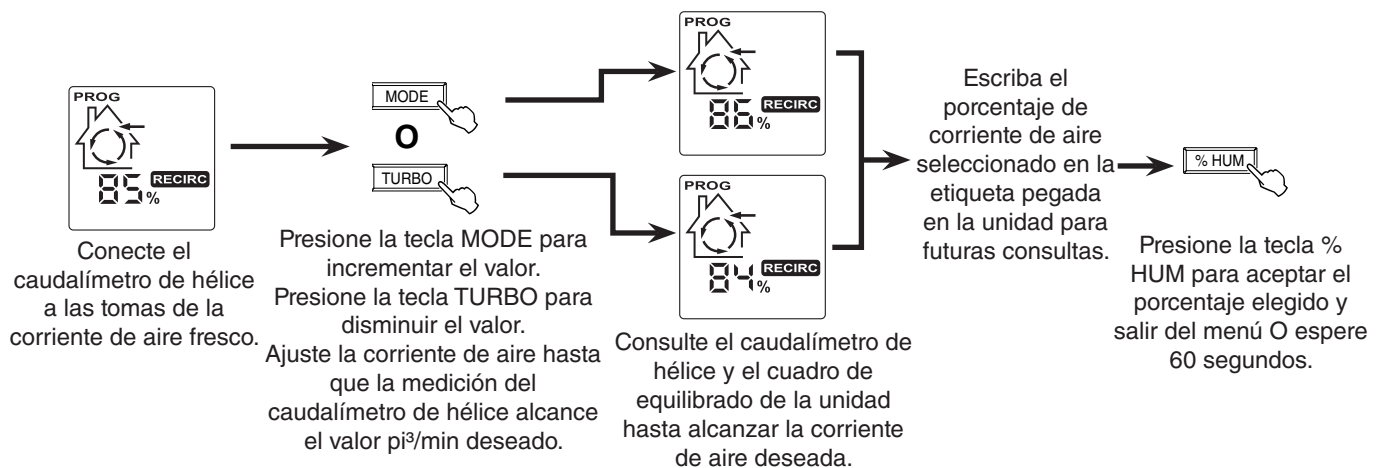
Enchufe el tubo del caudalímetro de hélice a la corriente de aire VICIADO.



Enchufe el tubo del caudalímetro de hélice a la corriente de aire FRESCO.



⑫ Seleccione la velocidad RECIRC.



El procedimiento de equilibrado está terminado.

NOTA: Los valores ajustados de las corrientes de aire se guardan en la unidad; si se necesita, se puede usar cualquier control principal VT9W para ajustar las velocidades de la unidad y para balancear de nuevo la unidad. Si se produjera un corte de corriente eléctrica, la unidad conservará estos valores. Para cambiarlos, vaya a la etapa ⑥ y siga el procedimiento. Los nuevos valores sustituirán a los anteriores.


8. SOLUCIÓN DE PROBLEMAS

⚠ ADVERTENCIA

Riesgo de descarga eléctrica. Las conexiones de la tarjeta electrónica sólo deben verificarse por personal cualificado.

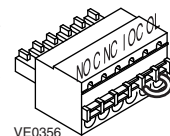
Si el aparato no funciona debidamente, desenchúfelo durante un minuto y vuélvalo a enchufar para reiniciarlo. Si sigue sin funcionar debidamente, consulte la tabla de abajo.

Si el diodo del aparato parpadea es que los sensores han detectado un problema. Vea la tabla siguiente para saber dónde se ha producido dicho problema.

SEÑAL LED EN LA UNIDAD	CÓDIGO DE ERROR EN LA PANTALLA DEL CONTROL	TIPO DE ERROR	ACCIÓN	ESTADO DE LA UNIDAD
La señal LED parpadea en VERDE (doble parpadeo cada 2 segundos).	E21	Error del motor en el lado frío.	<ul style="list-style-type: none"> Compruebe que el conector J12 esté bien conectado y que sus hilos no estén dañados. Si todo está bien: Sustituya el conjunto del sistema de la clapeta. 	La unidad funciona pero deshiela con frecuencia.
La señal LED parpadea en VERDE (dos parpadeos por segundo; parpadeo más rápido).	E22	Error del termistor del lado caliente.	<ul style="list-style-type: none"> Compruebe que el conector J20 esté bien conectado y que sus hilos no estén dañados. Si todo está bien: Sustituya el conjunto del sistema de la clapeta 	La unidad no funciona.
La señal LED parpadea en ÁMBAR.	E23	Error en el sistema de la clapeta.	<ul style="list-style-type: none"> Vaya el punto 6 de la tabla siguiente. 	La unidad no funciona.
La señal LED parpadea en ROJO (un parpadeo cada 2 segundos).	E25 y E26 alternativamente	Puerta abierta mientras la unidad está funcionando o mal contacto del interruptor magnético.	<ul style="list-style-type: none"> Reinicie el control mural VT9W presionando las teclas MODE y %HUM durante 10 segundos. Verifique si la puerta de la unidad está bien cerrada y si el imán de la puerta está bien ajustado a la puerta. De no ser así, corrija la situación, cierre la puerta y reinicie el control mural VT9W presionando las teclas MODE y % HUM durante 10 segundos. Compruebe que el conector J11 esté bien conectado y que sus hilos no estén dañados. De no ser así, corrija la situación, cierre la puerta y reinicie el control mural VT9W presionando las teclas MODE y % HUM durante 10 segundos. Use un destornillador de punta plana para puentear el conector J11, reinicie el control mural VT9W presionando las teclas MODE y % HUM durante 10 segundos y ponga la unidad en CONT. <p>Si la señal LED sigue parpadeando, vaya al punto 8 de la tabla siguiente para los diagnósticos del motor.</p>	La unidad no funciona.
	E25	Error del motor de alimentación.	<ul style="list-style-type: none"> Vaya el punto 8 de la tabla siguiente. 	
	E26	Error del motor extracción.	<ul style="list-style-type: none"> Vaya el punto 8 de la tabla siguiente. 	
La señal LED parpadea en ROJO (dos parpadeos por segundo; parpadeo más rápido).		La unidad está en modo protección.	<ul style="list-style-type: none"> Si la temperatura exterior es inferior a -25°C, podría ser normal que la unidad se pusiera en modo protección. No hay que hacer nada en tal caso. Si aparece el icono del copo de nieve con frecuencia, puede que las corrientes de aire de la unidad no estén bien equilibradas o que el sistema de la clapeta esté dañado. Véase el punto 7 en la tabla siguiente. 	La unidad realiza un deshielo especial y, cuando termina, vuelve al modo anterior.

8. SOLUCIÓN DE PROBLEMAS (CONTINUACIÓN)

	PROBLEMAS	CAUSAS POSIBLES	¡INTENTE ESTO
1	El código de error E01 aparece en la pantalla del control mural VT9W.	<ul style="list-style-type: none"> • Los hilos pueden estar en posición inversa. • Los hilos pueden estar mal conectados. • Los hilos pueden estar rotos. 	<ul style="list-style-type: none"> • Compruebe que los hilos con códigos de colores han sido conectados en los lugares adecuados. • Compruebe que los hilos estén bien conectados. • Examine cada hilo y sustituya los que estén dañados. Si los hilos están escondidos en las paredes, pruebe el control usando un hilo más corto.
2	La pantalla del control mural VT9W alterna entre una pantalla normal y E03.	<ul style="list-style-type: none"> • El control mural VT9W puede estar defectuoso. 	<ul style="list-style-type: none"> • Sustituya el control mural VT9W.
3	El control mural VT9W no funciona.	<ul style="list-style-type: none"> • Control mural equivocado. • Los hilos pueden estar en posición inversa. • Los hilos pueden estar mal conectados. • Los hilos pueden estar rotos. • Control mural defectuoso. 	<ul style="list-style-type: none"> • Compruebe que el control mural sea un VT9W. • Compruebe que los hilos con códigos de colores han sido conectados en los lugares adecuados. • Compruebe que los hilos estén bien conectados. • Examine cada hilo y sustituya los que estén dañados. Si los hilos están escondidos en las paredes, pruebe el control usando un hilo más corto. • Sustituya el control mural.
4	La unidad no funciona.	<ul style="list-style-type: none"> • La unidad está desenchufada. • No hay corriente en la toma eléctrica. • El fusible puede estar defectuoso. • Los conectores J10, J9 o J8 pueden estar desenchufados. • El transformador puede estar defectuoso (no hay 9.5 VAC entre J8-4 y J8-5). • La placa de circuitos impresos (PCB) principal puede estar defectuosa. 	<ul style="list-style-type: none"> • Compruebe que la unidad esté enchufada. • Pruebe la toma de corriente con otro aparato eléctrico (p. ej., una lámpara). Si no funciona, llame a un electricista. • Desenchufe el aparato. Verifique si el fusible F1 (situado en la placa PCB) está fundido. En tal caso, deje de utilizar el aparato y póngase en contacto con el servicio de asistencia técnica. • Verifique la conexión de los conectores J10, J9 y J8. • Con la unidad encendida y el conector J9 conectado, verifique si hay alrededor de 9.5 VAC entre el conector J8-4 del transformador y J8-5 (hilos AMARILLOS). En caso negativo, cambie el transformador. • Sustituya la placa PCB principal.
5	El botón temporizador VB60W no funciona (señal LED de la unidad encendida en cualquier color).	<ul style="list-style-type: none"> • Los hilos pueden estar en posición inversa. • Los hilos pueden estar mal conectados. • Los hilos pueden estar rotos. • El botón puede estar defectuoso. 	<ul style="list-style-type: none"> • Compruebe que los hilos con códigos de colores han sido conectados en los lugares adecuados. • Compruebe que los hilos estén bien conectados. • Examine cada hilo y sustituya los que estén dañados. Si los hilos están escondidos en las paredes, pruebe el control usando un hilo más corto. • Puentee los terminales OL y OC. Si la unidad pasa a alta velocidad, retire el botón y pruébelo al lado de la unidad usando otro hilo más corto. Si funciona así, cambie el hilo. Si no funciona, cambie el botón.
6	La unidad funciona siempre a alta velocidad.	<ul style="list-style-type: none"> • Los hilos del botón temporizador VB60W pueden estar cortocircuitados. 	<ul style="list-style-type: none"> • Compruebe que los hilos de los conectores OC y OL no se toquen. • Desenchufe los hilos del bloque de terminales del control auxiliar y mida la resistencia entre los cables (no debería haber resistencia). Si se detecta resistencia, compruebe que los hilos estén bien conectados, examine luego cada hilo y sustituya los hilos dañados.



8. SOLUCIÓN DE PROBLEMAS (CONTINUACIÓN)

	PROBLEMAS	CAUSAS POSIBLES	¡INTENTE ESTO
7	El sistema de la clapeta no funciona (la señal LED parpadea en ÁMBAR, código de error E23).	<p>Al encender, no hay señal LED ROJA.</p> <p>Al encender, la señal LED se pone en ROJO y hay un sonido de clic proveniente del compartimento eléctrico, pero la clapeta no se mueve:</p> <ul style="list-style-type: none"> • El hielo o otras cosas obstaculizan el movimiento de la clapeta. • El conector J12 está desconectado o tiene un mal contacto • Conexión errónea del conector J8. • El transformador puede estar defectuoso (no hay 24 VAC entre J8-1 y J8-2). <p>• El accionador de la clapeta puede estar defectuoso.</p> <p>La clapeta se mueve pero no sedetiene cuando debiera:</p> <ul style="list-style-type: none"> • Mala conexión del conector J12. • La placa PCB de la clapeta está defectuosa o el engranaje del motor de la clapeta está estropeado. • La placa PCB principal está defectuosa. 	<ul style="list-style-type: none"> • Véase el punto 4. • Retire el hielo o los elementos que obstaculicen. • Verifique la conexión de J12 (en el lado del arnés y de la placa). • Verifique la conexión de J8. • Con la unidad encendida y J9 conectado, verifique si hay alrededor de 20-24 VAC entre el conector del transformador J8-1 y J8-2 (hilos MARRÓN). En caso negativo, cambie el transformador. • Elimine el código de error presionando las teclas MODE y % HUM durante 10 segundos; a continuación, ponga la unidad en modo CONT y verifique si el código de error aparece de nuevo. • Si vuelve a aparecer el código de error, sustituya el sistema de la clapeta. • Verifique la conexión de J12 (en el lado del arnés y de la placa). • Sustituya el sistema de la clapeta. • Sustituya la placa PCB principal.
8	<p>A. El motor de alimentación no funciona pero el motor de extracción del aire sí (la señal LED parpadea en ROJO, código de error E25).</p> <p>B. El motor de extracción del aire no funciona, pero el motor de alimentación sí (la señal LED parpadea en ROJO, código de error E26).</p>	<ul style="list-style-type: none"> • El motor de alimentación puede estar defectuoso o bloqueado por un obstáculo. • El motor de extracción puede estar defectuoso o bloqueado por el hielo o un obstáculo. 	<ul style="list-style-type: none"> • Asegúrese de que no haya nada que bloquee el motor. • Verifique la conexión de los conectores J4 y J15. • Puentee los terminales OL y OC y enchufe el motor de alimentación a J5 y el motor de extracción a J4. Si el motor de alimentación funciona pero no el motor de extracción, sustituya la placa PCB principal. Si el motor de alimentación sigue sin funcionar, vuelva a enchufar el motor de alimentación a J4 y el motor de extracción a J5 y siga estudiando la situación. • Conecte el cable de control de la alimentación a J17 y el cable de control de la extracción a J15. Si el motor de alimentación funciona pero no el motor de extracción, sustituya la placa PCB principal. Si el motor de alimentación sigue sin funcionar, vuelva a enchufar el cable de control de la extracción a J17 y sustituya el motor de alimentación. • Asegúrese de que no haya ningún obstáculo ni hielo que bloquee el motor. • Verifique la conexión de los conectores J5 y J17. • Puentee los terminales OL y OC y enchufe el motor de extracción a J4 y el motor de alimentación a J5. Si el motor de extracción funciona pero no el motor de alimentación, sustituya la placa PCB principal. Si el motor de extracción sigue sin funcionar, vuelva a enchufar el motor de extracción a J5 y el motor de alimentación a J4 y siga estudiando la situación. • Conecte el cable de control de la extracción a J15 y el cable de control de alimentación a J17. Si el motor de extracción funciona pero no el motor de alimentación, sustituya la placa PCB principal. Si el motor de extracción sigue sin funcionar, vuelva a enchufar el cable de control de la alimentación a J15 y sustituya el motor de extracción.
9	La unidad funciona en modo CONT y TURBO, pero no en modo RECIRC.	<ul style="list-style-type: none"> • Conexiones de los motores invertidas 	<ul style="list-style-type: none"> • Intercambie ambas conexiones J4 y J5 del cable de alimentación del motor en la placa PCB. Verifique el funcionamiento del motor de alimentación (en el lado derecho de la unidad) en el modo RECIRC. • Si el motor de extracción sigue funcionando en modo RECIRC en vez de alimentar, vuelva a conectar las conexiones J4 y J5 del cable de alimentación en la placa PCB y intercambie los cables de control J15 y J17 en la placa PCB. • Si no se resuelve el problema, cambie la placa PCB.

