



Ventilation System

OWNER'S GUIDE



INCLUDED IN THIS BOX

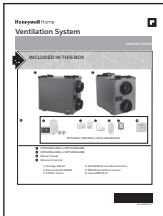
A₁



A₂



B



C₁



C₂



C₃



C₄



C₅



C₆



OPTIONAL CONTROLS SOLD SEPARATELY

A₁ VNT5150H1000 or VNT5150E1000

A₂ VNT5200H1000 or VNT5200E1000

B Owner's Guide

C Optional Controls:

1. Prestige IAQ Kit

2. Dehumidistat H8908

3. T10 Pro Smart

4. 20/40/60 Minute Boost Control

5. W8150 Ventilation Control

6. VisionPRO Wi-Fi



Installation Checklist

Included in This Box

A1 VNT5150H1000 or VNT5150E1000

A2 VNT5200H1000 or VNT5200E1000

B Owner's Guide

Control Options (Sold separately)

C1 Prestige IAQ Kit

C2 Dehumidistat H8908D

C3 T10 Pro Smart

C4 20/40/60 Minute Boost Control

C5 W8150 Ventilation Control

C6 VisionPRO Wi-Fi

Standards and Certifications:

CSA-22.2 #113-10, CSA 439 Standard

UL Standard 1812

RoHS Compliant

HVI Certified

FCC Part 15, Class B

ENERGY STAR (VNT6150H1000 & VNT6200H1000)



Install the ERV/HRV Ventilation System according to national and local regulations, building, and safety codes.



Warning: Installation must be performed by a qualified service technician and must comply with local codes.

Remove power to the device before installing or servicing the device.

Failure to connect the device according to these instructions may result in damage to the device or the controls.

INSTALLATION INSTRUCTIONS

BEGIN ON PAGE 1

Ventilation System

OPERATION

Operation and Main Function	2
Description	5
Control Panel.....	6
Balancing Steps.....	7
Operating Your wall Controls.....	8

TROUBLESHOOTING

Troubleshooting	9
-----------------------	---

MAINTENANCE

Periodic Maintenance.....	10
Cleaning	11

WARRANTY

5-Year Limited Warranty.....	12
------------------------------	----

- The product is for residential applications only and must be installed in accordance with all national and local regulations, building and safety codes



NEED HELP? For assistance with this product please visit <http://honeywellhome.com> or call Customer Care toll-free at 1-800-468-1502.

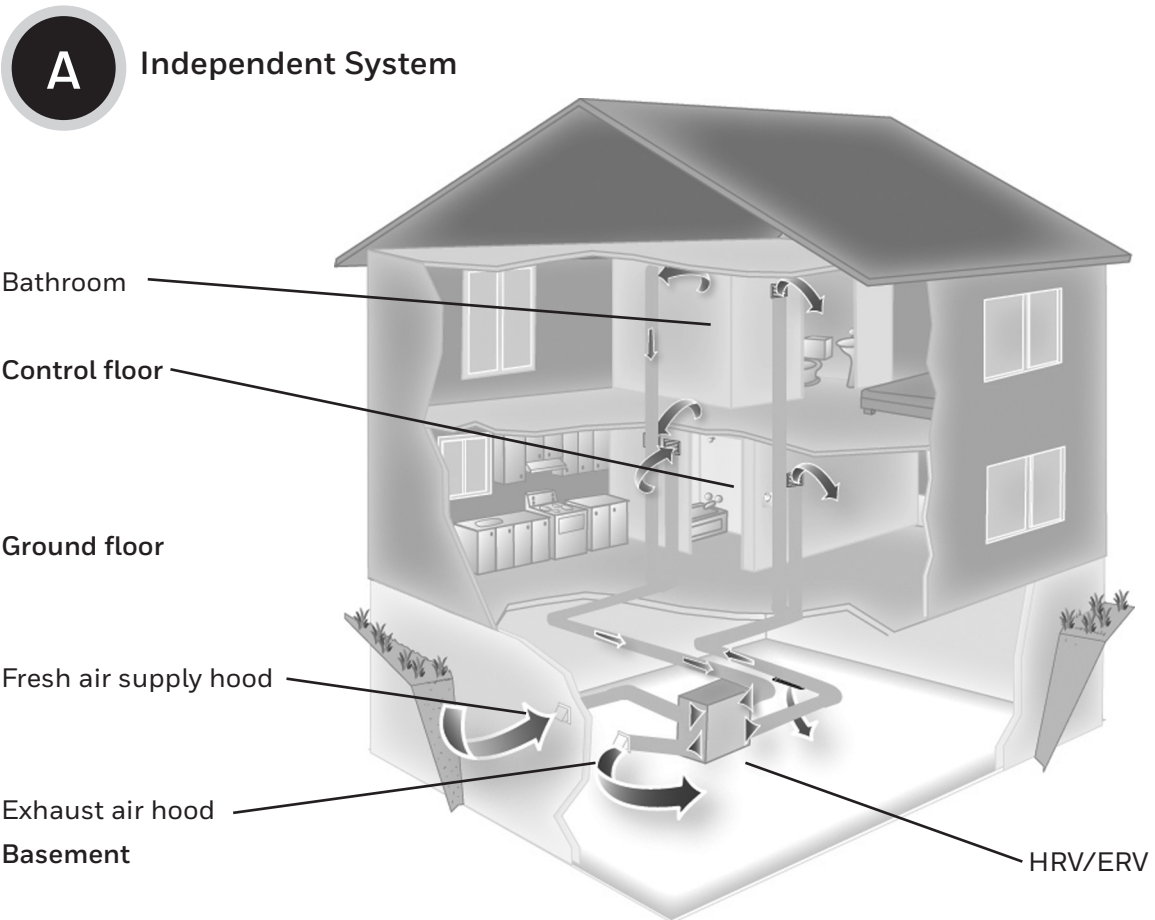
Read and save these instructions.

Operation and Main Function

Your ventilation system has been engineered & designed to improve your indoor air quality by reducing during the winter time, excess humidity or other contaminants in your home and replacing this air by fresh filtered air from the outdoors. During colder seasons, the units heat recovery core (polypropylene core) will reclaim the heat from the outgoing stale air and use this heat to temper the incoming fresh air, which reduces the cost of effectively ventilating your home during winter.

NOTE: Reverse process occurs in the summer months.

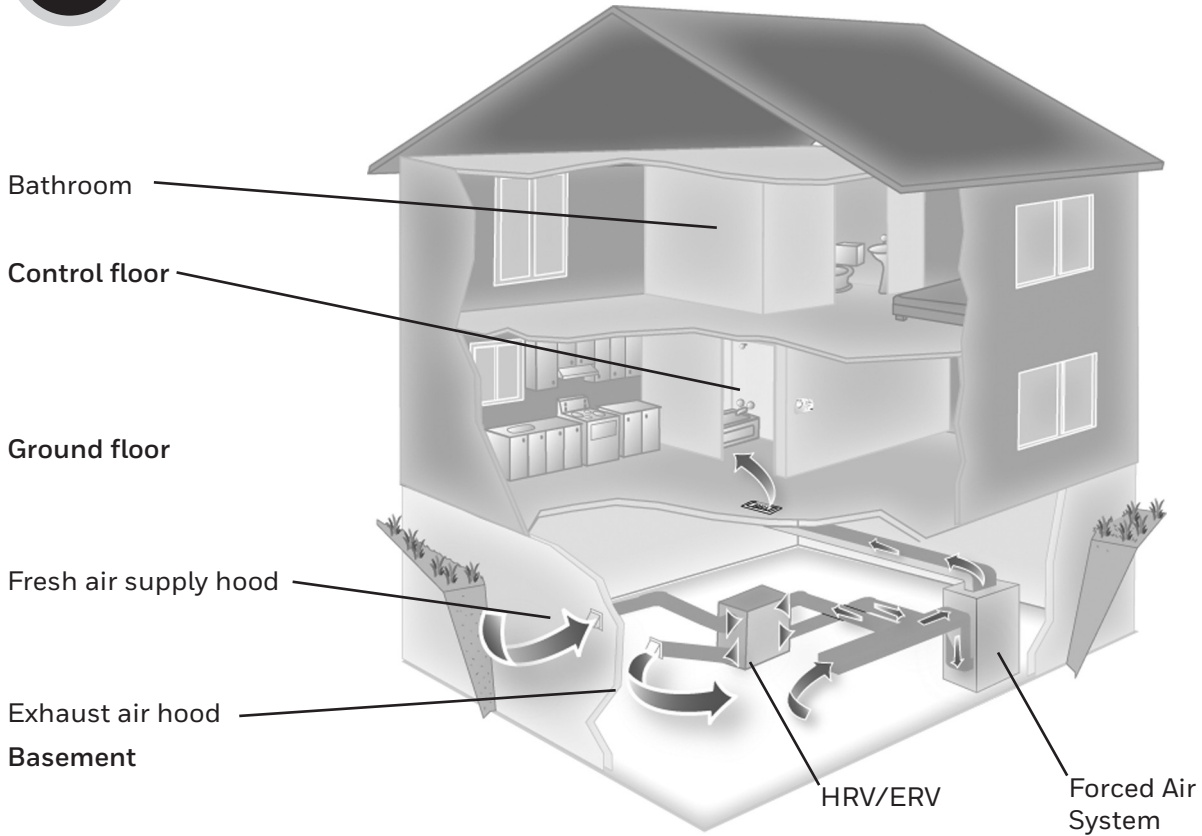
System Installation (examples)



Operation and Main Function

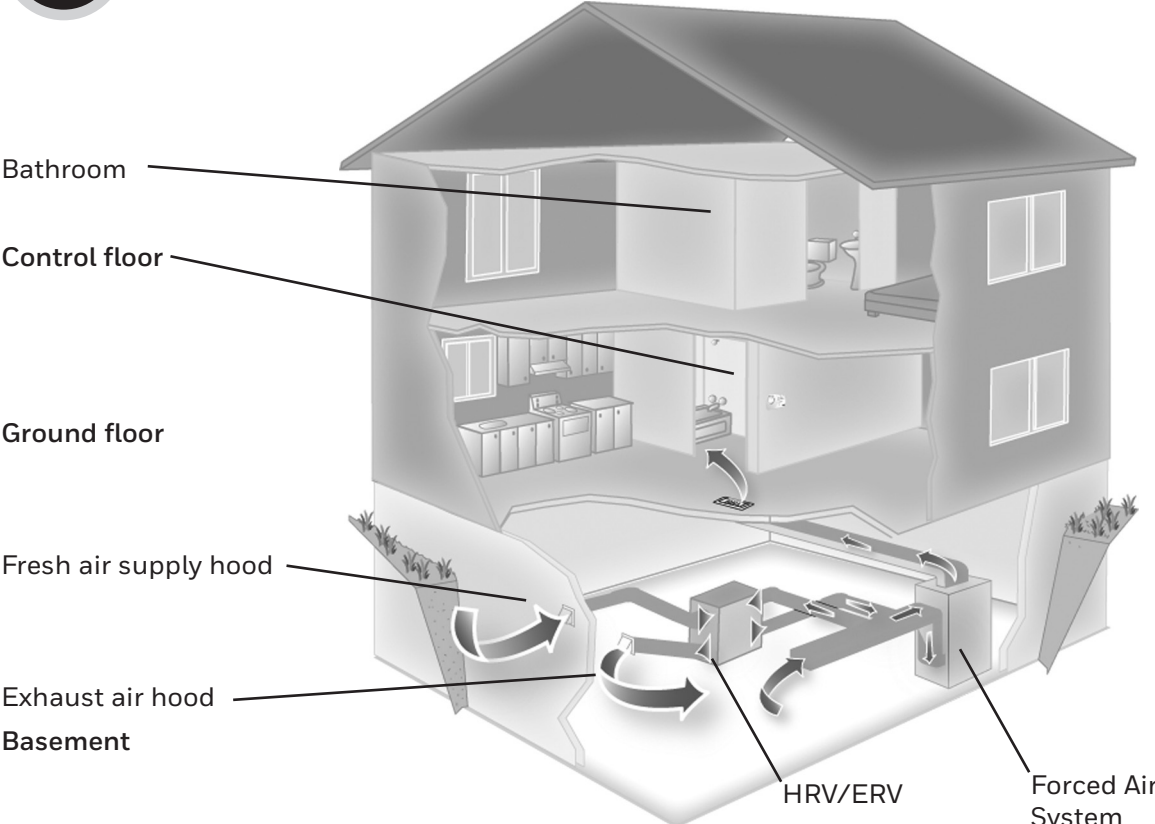


Exhaust at the Source and Supply in the Return



Operation and Main Function

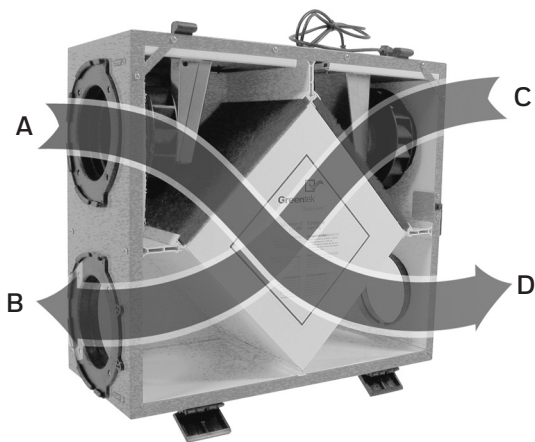
C Exhaust and Supply in the Return



Description

Ventilation System with Recirculation Mode

- A. Fresh air from outside
- B. Exhaust air to outside
- C. Exhaust air from home
- D. Fresh air to home



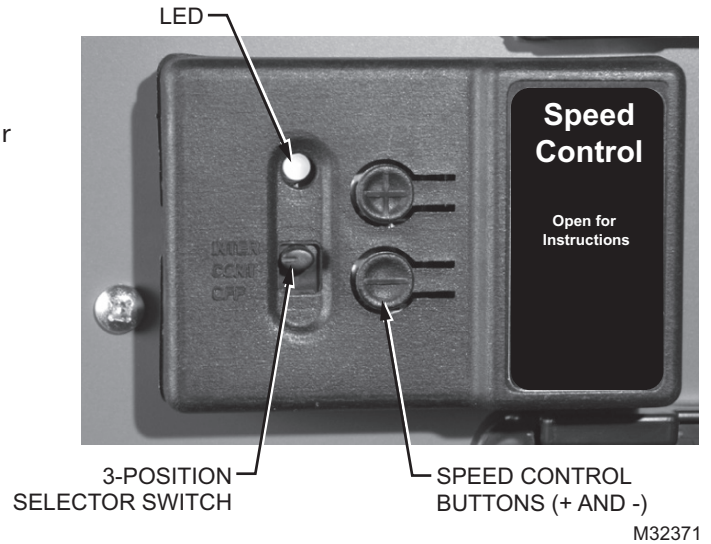
- **Fresh Air from Outside Port (A):** Inlet for fresh outdoor air.
- **Exhaust Air to Outside Port (B):** Outlet for exhausting stale, humid and contaminated air to the outdoors after transferring its heat to the recovery core.
- **Exhaust Air From Home Port (C):** Exhausts stale, humid and contaminated air to the outside from multiple location of the home or from the return air of the forced air system, prior to passing through the heat recovery core. Ex: Bathroom, laundry room, etc.
- **Fresh Air to Home Port (D):** Introduces & distributes clean & fresh air to your home. The homes fresh air ports are normally installed in the main living areas or in the return/supply duct of the forced air system. Ex: Living room, bedrooms, recreation rooms, etc.
- **Control Panel:** Selects your ventilation modes (OFF, CONT or INTER), also to adjust your continuous airflow rates: Increasing (+)/ Decreasing (-).
- **Synthetic Filters:** Capture the largest particle and protects your heat recovery core from potential obstruction by these particles.

- **Heat Recovery Core:** A polypropylene cross-flow type it is designed to transfer the heat between both exhaust & supply air streams without allowing any contamination or mixing of both air streams to maximize the efficient and improve your indoor air quality.
- **Condensate Drain Pan & Drainage Hose:** Captures the water that accumulates during the heat transfer and defrosts sequence in the fall, winter & early spring seasons. Drain hose is connected to the drain pan and serves as drainage for the accumulation of water. It is normal during summer months to find no condensation in drain pan or in drainage hose.
- **Automatic Defrost Sequence:** The ERV and HRV units are equipped with an automatic defrost feature to eliminate any ice build up on the core. Automatic defrost is initiated once every hour when the fresh air supply temperature drops to 23°F (-5°C) or colder.
 - The defrost cycle operates by turning off the supply fan while continuing to operate the exhaust fan.
 - The exhaust fan speed is adjusted proportionally based on the outdoor temperature, initially operating at low speed.
 - As the outdoor temperature continues to drop, the exhaust fan speed will increase, and will operate at maximum speed when the outdoor temperature is -4°F (-20°C) or less.
 - Defrost cycle runs for 4 minutes with the supply fan off, followed by 40 minutes of continuous normal operation.
 - Defrost cycles will continue to repeat as long as the temperature is 23°F (-5°C) or less.
- **Fresh Air from Outside Port (A):** Inlet for fresh outdoor air.

Control Panel

The control panel has a 3-position selector switch and “+” and “-” buttons for speed control. The color of the LED indicator indicates the current function of the selector switch.

- GREEN LED = Mode Control (normal operating mode)
- YELLOW LED = Balancing Control



Speed Control used as a Mode Control

When the LED indicator is green, the selector switch functions as a Mode Selector. The selections are:

- **INTER (Intermittent):** When the selector switch is in the intermittent position the unit will run only when there is a call for ventilation by any external control. At that time the unit will run on high speed until the condition is satisfied.
- **CONT (Continuous):** When the selector switch is in the continuous position the unit will run continuously on low speed except when there is a call for override by any control.
- **OFF:** When the selector switch is in the off position the unit will not operate even when there's a call for ventilation by an external control.
- **(+) and (-) buttons:** Used to adjust the continuous speed setting.

Speed Control used as a Balancing Control

In balancing mode the LED indicator is yellow, and the selector switch functions as a Balancing Control to set the high speed of the motors for balancing purposes (Fresh air, Exhaust air, and Both motors). The selections are:

- **INTER:** Selects the exhaust air motor.
- **CONT:** Selects both exhaust and fresh air motors.
- **OFF:** Selects the fresh air motor. **NOTE:** Continuous low speed is 50% of the set high speed. **NOTE:** See Balancing Steps on page 7.

Speed Control used as a Motor Control

- **+ Button:** Increase the speed of the selected motor.
- **- Button:** Decrease the speed of the selected motor. **NOTE:** See Balancing Steps on page 7.

Balancing Steps

NOTE: Perform the balancing steps with the HVAC equipment fan turned ON if the ERV/HRV unit is ducted into an HVAC system.

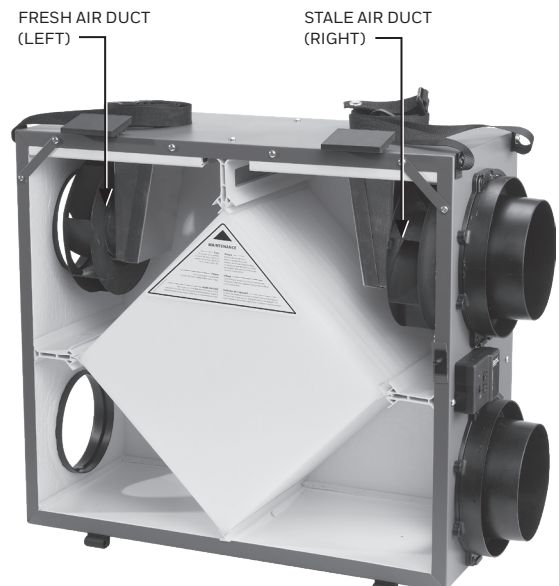
1

- a. Ensure that the speed control selector switch is in either the INTER or CONT position.
- b. Press the (+) and (-) buttons simultaneously for 5 seconds until the LED indicator light turns yellow, which indicates that you are in balancing mode.

When in balancing mode, the selector switch becomes the motor selector switch. The switch positions become: INTER = Right motor (exhaust air), CONT = Both motors, and OFF = Left motor (fresh air).

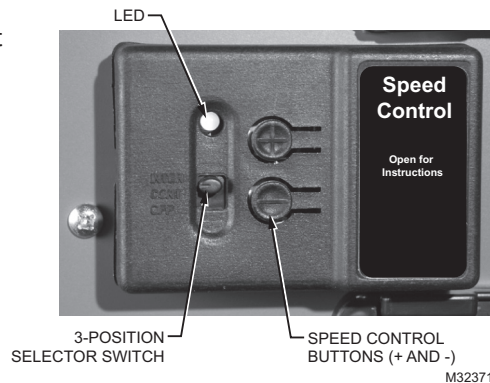
2

- a. Use a pitot tube or flow station to measure the air flow in the fresh air duct and exhaust air duct.
- b. Move the mode selector switch to adjust the air flow in the duct with the higher reading.
INTER: Exhaust air (right)
OFF: Fresh air (left)
- c. Press the (+) or (-) buttons to adjust the air flow to the desired high speed setting.
- d. Move the mode selector switch to the CONT position (to proportionally adjust the speed of both motors at the same time).



3

- a. Press the (+) and (-) buttons simultaneously to exit balancing mode .
- b. Indicator light turns green.
- c. Continuous speed will be 50% of measured CFM.



Operating Your Wall Controls



Prestige™ IAQ Kit

- Controls both heating/cooling and ventilation.
- Wireless sensor for displaying outdoor temperature and humidity.
- Advanced ventilation programming includes economizing and extreme condition shutdown.
- Maintenance and service reminders.
- High definition color display.
- RedLINK™ Wireless technology



VisionPRO™ Wi-Fi (TH8321WF1001) or VisionPRO RedLINK (TH8321R1001)

- Controls both heating/cooling and ventilation.
- Ventilation programming for time of day or Ashrae standards.
- Optional ventilation lockouts for high/low temp or humidity conditions. C7089R1013 wireless outdoor sensor required for RedLINK model. Wi-Fi model uses Internet weather.



Manual Dehumidistat and Automatic Ventilation Controls

- Manual humidity control with intuitive comfort settings.
- Automatic W8150 ventilation control to ASHRAE standard, or for continuous operation.



Boost Control Digital Timer

- Ventilation boost control for 20/40/60 minutes.

Troubleshooting



CAUTION: Servicing the ERV/HRV unit with its electrical circuitry can cause personal injury. Always make sure that power to the unit is disconnected prior to making any connections. Failure to disconnect the power could result in electrical shock. Service should only be performed by a qualified service technician.

Problem	Recommended Troubleshooting Steps
ERV/HRV unit not running	<ol style="list-style-type: none"> 1. Verify polarization of electrical receptacle. 2. Verify breaker in electrical box. 3. Verify that the external control or mode selector are activated to call for ventilation. 4. Unplug the unit and verify that the external control(s) are wired correctly to the wiring terminal block.
Air is too dry	<ol style="list-style-type: none"> 1. Increase humidity level on the dehumidistat. 2. Switch ventilation mode from continuous to intermittent. 3. Install a humidifier.
Air too humid	<ol style="list-style-type: none"> 1. Reduce the humidity level on the controller. 2. Make sure that the clothes dryer is vented to the outdoors. 3. Wait for outside temperature to change. For example, it can be very humid at times in the summer. 4. Verify balancing of the ERV/HRV unit (see Balancing Steps on page 7).
LED on control panel remains green	<p>If the LED light on the ERV/HRV control panel remains green, the motors do not energize, and the controls do not operate. This can indicate that the Polarization in the main AC outlet is inverted</p>

Maintenance of Your HRV/ERV

Quarterly or as Needed

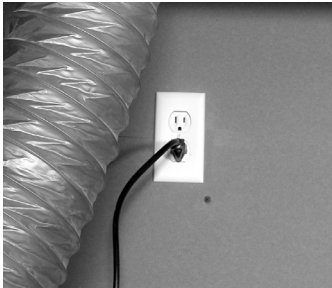
- 1** **Filters.**
Four times per year or as needed, vacuum the filters. Replace filters as needed.

Annually or as Needed

- 1** **Inside the Unit.**
Once a year or as needed, clean the interior of the unit (walls and drain pan) with a mild and non abrasive soap. It is recommended to use products that are environmentally-friendly.
- 2** **Energy Recovery Core Unit (VNT5150E1000 and VNT5200E1000)**
Vacuum the ERV core or rinse with cold water. Do not use soap, dishwasher, or a pressure washer.
- 3** **Heat Recovery Core Unit (VNT5150H1000 and VNT5200H1000)**
Once a year or as needed, vacuum the four surfaces, let soak in warm water and mild soap for 15 minutes, then spray rinse and let dry.

NOTE: See Cleaning Steps on page 11 for the above maintenance items.

Cleaning Steps



1. Disconnect the AC power from the unit or the wall.



2. Open the side door panel by opening the two latches on the top of the side panel and lowering the panel to its fully open position. Remove both filters from the top left and right sides of the Core, then vacuum both filters. Slide out the Core, and clean according to the instructions on the previous page.



3. Clean inside of unit with a damp cloth and wipe dry when finished.



4. Replace the Core and the two filters, re-latch the side panel, then reconnect the AC power to the unit.

5-Year Limited Warranty

Resideo warrants this product, excluding maintenance items such as the filter, to be free from defects in workmanship or materials, under normal use and service, for a period of five (5) years from the date of first purchase by the original purchaser. If at any time during the warranty period the product is determined to be defective due to workmanship or materials, Resideo shall repair or replace it (at Resideo's option).

If the product is defective,

- (i) return it, with a bill of sale or other dated proof of purchase, to the place from which you purchased it; or
- (ii) call Resideo Customer Care at 1-800-468-1502. Customer Care will make the determination whether the product should be returned to the following address: Resideo Return Goods, 1985 Douglas Dr. N., Golden Valley, MN 55422, or whether a replacement product can be sent to you.

This warranty does not cover removal or reinstallation costs. This warranty shall not apply if it is shown by Resideo that the defect was caused by damage which occurred while the product was in the possession of a consumer.

Resideo's sole responsibility shall be to repair or replace the product within the terms stated above. RESIDEO SHALL NOT BE LIABLE FOR ANY LOSS OR DAMAGE OF ANY KIND, INCLUDING ANY INCIDENTAL OR CONSEQUENTIAL DAMAGES RESULTING, DIRECTLY OR INDIRECTLY, FROM ANY BREACH OF ANY WARRANTY, EXPRESS OR IMPLIED, OR ANY OTHER FAILURE OF THIS PRODUCT.

Some states do not allow the exclusion or limitation of incidental or consequential damages, so this limitation may not apply to you.

THIS WARRANTY IS THE ONLY EXPRESS WARRANTY RESIDEO MAKES ON THIS PRODUCT. THE DURATION OF ANY IMPLIED WARRANTIES, INCLUDING THE WARRANTIES OF MERCHANTABILITY AND FITNESS FOR A PARTICULAR PURPOSE, IS HEREBY LIMITED TO THE FIVE YEAR DURATION OF THIS WARRANTY. Some states do not allow limitations on how long an implied warranty lasts, so the above limitation may not apply to you.

This warranty gives you specific legal rights, and you may have other rights which vary from state to state. If you have any questions concerning this warranty, please write Resideo Customer Care, 1985 Douglas Dr, Golden Valley, MN 55422 or call 1-800-468-1502.



resideo

www.resideo.com

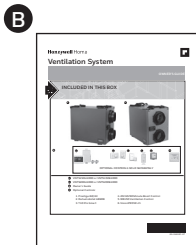
Resideo Inc., 1985 Douglas Drive North,
Golden Valley, MN 55422
1-800-468-1502
69-2481EF-07 M.S. Rev. 05-21 | Printed in United States



Système de ventilation

GUIDE DU PROPRIÉTAIRE

INCLUS DANS CETTE BOÎTE



RÉGULATEURS OPTIONNELS VENDUS SÉPARÉMENT

A₁ VNT5150H1000 ou VNT5150E1000

A₂ VNT5200H1000 ou VNT5200E1000

B Guide du propriétaire

C Régulateurs optionnels :

1. Nécessaire Prestige IAQ

2. Déshumidistat H8908

3. T10 Pro Smart

4. Régulateur de suralimentation 20/40/60 minutes

5. Régulateur de ventilation W8150

6. VisionPRO Wi-Fi

Liste de vérification pour l'installation

Inclus dans cette boîte

A1 VNT5150H1000 ou VNT5150E1000

A2 VNT5200H1000 ou VNT5200E1000

B Guide du propriétaire

Options de régulateurs (vendus séparément)

C1 Nécessaire Prestige IAQ

C2 Déshumidistat manuel H8908

C3 T10 Pro Smart

C4 Régulateur de suralimentation 20/40/60 minutes

C5 Régulateur de ventilation W8150

C6 VisionPRO Wi-Fi

Normes et certifications :

CSA-22.2 #113-10, Norme CSA 439

Norme UL 1812

Conforme RoHS, Homologué HVI

FCC Partie 15, Classe B

ENERGY STAR (VNT6150H1000 et VNT6200H1000)



Installez le système de ventilation VRE/VRC conformément aux codes du bâtiment, aux codes de sécurité et aux règlements nationaux et locaux applicables.



Avertissement : l'installation doit être effectuée par un technicien d'entretien qualifié et conformément aux codes locaux en vigueur. Coupez l'alimentation vers l'appareil avant d'installer ou de réparer cet appareil. Un raccordement de cet appareil non conforme à ces instructions peut endommager l'appareil ou les régulateurs.

Système de ventilation

FONCTIONNEMENT

Fonctionnement et fonction principale.....	2
Description.....	5
Panneau de commande.....	6
Étapes de l'équilibrage.....	7
Utilisation de vos régulateurs muraux.....	8

DÉPANNAGE

Dépannage.....	9
----------------	---

ENTRETIEN

Entretien périodique	10
Nettoyage	11

GARANTIE

Garantie limitée de 5 ans.....	12
--------------------------------	----

- Le produit est uniquement destiné aux applications résidentielles et doit être installé conformément aux règlements et codes de construction et de sécurité nationaux et locaux



BESOIN D'AIDE? Pour de l'assistance au sujet de ce produit, merci de consulter le site <http://honeywellhome.com> ou d'appeler le numéro gratuit du service à la clientèle au 1-800-468-1502.

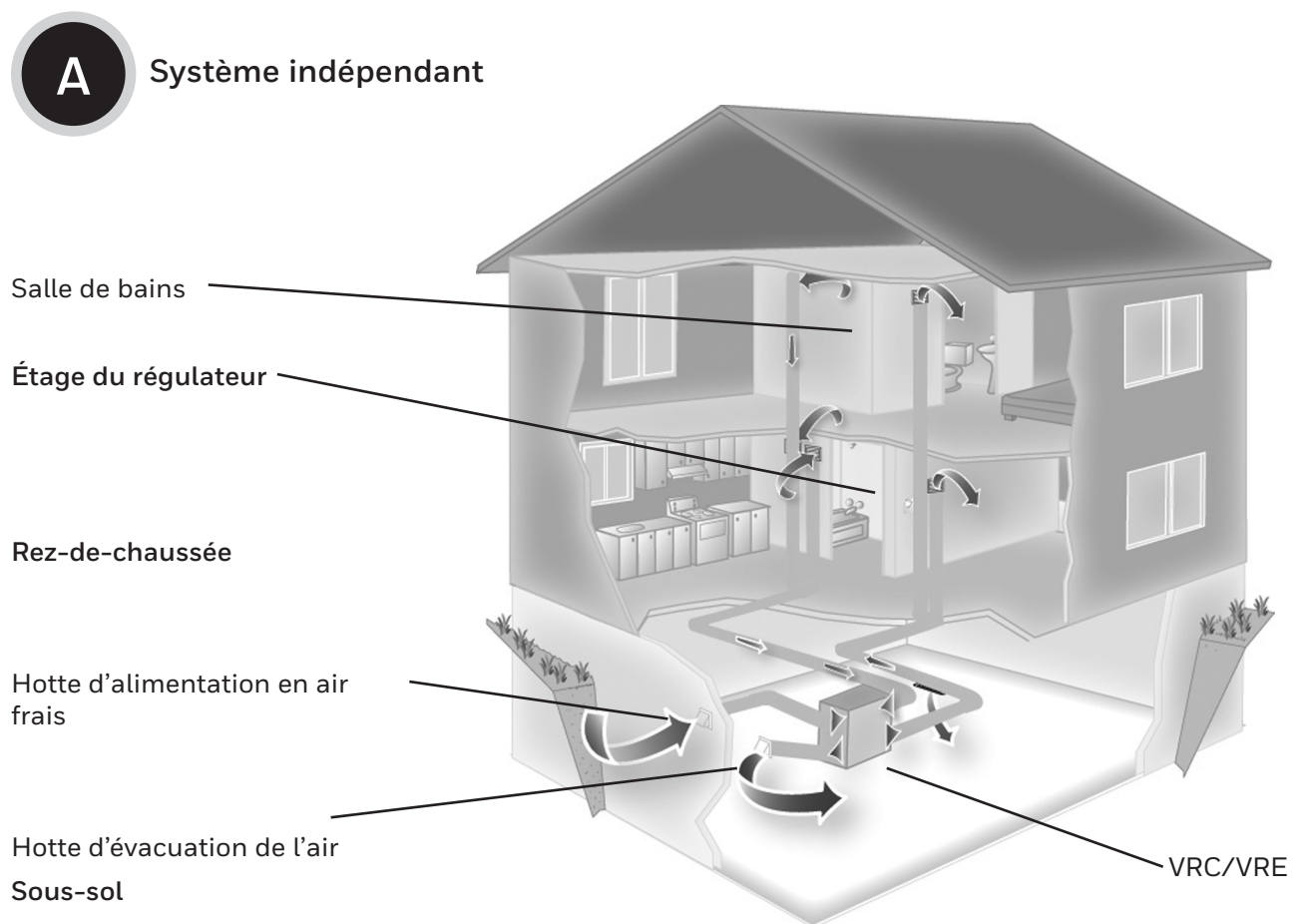
Lisez et conservez ces instructions.

Fonctionnement et fonction principale

Votre système de ventilation a été conçu et mis au point pour améliorer la qualité de l'air intérieur en réduisant en hiver le taux excessif d'humidité et de contaminants de votre habitation et en remplaçant cet air par de l'air filtré provenant de l'extérieur. Lors des saisons plus froides, le noyau de récupération de chaleur (noyau polypropylène) des unités récupère la chaleur issue de l'air rance sortant et utilise cette chaleur pour tempérer l'air frais entrant, ce qui réduit le coût d'une ventilation efficace de votre maison au cours de l'hiver.

REMARQUE : le processus inverse se déroule pendant les mois d'été.

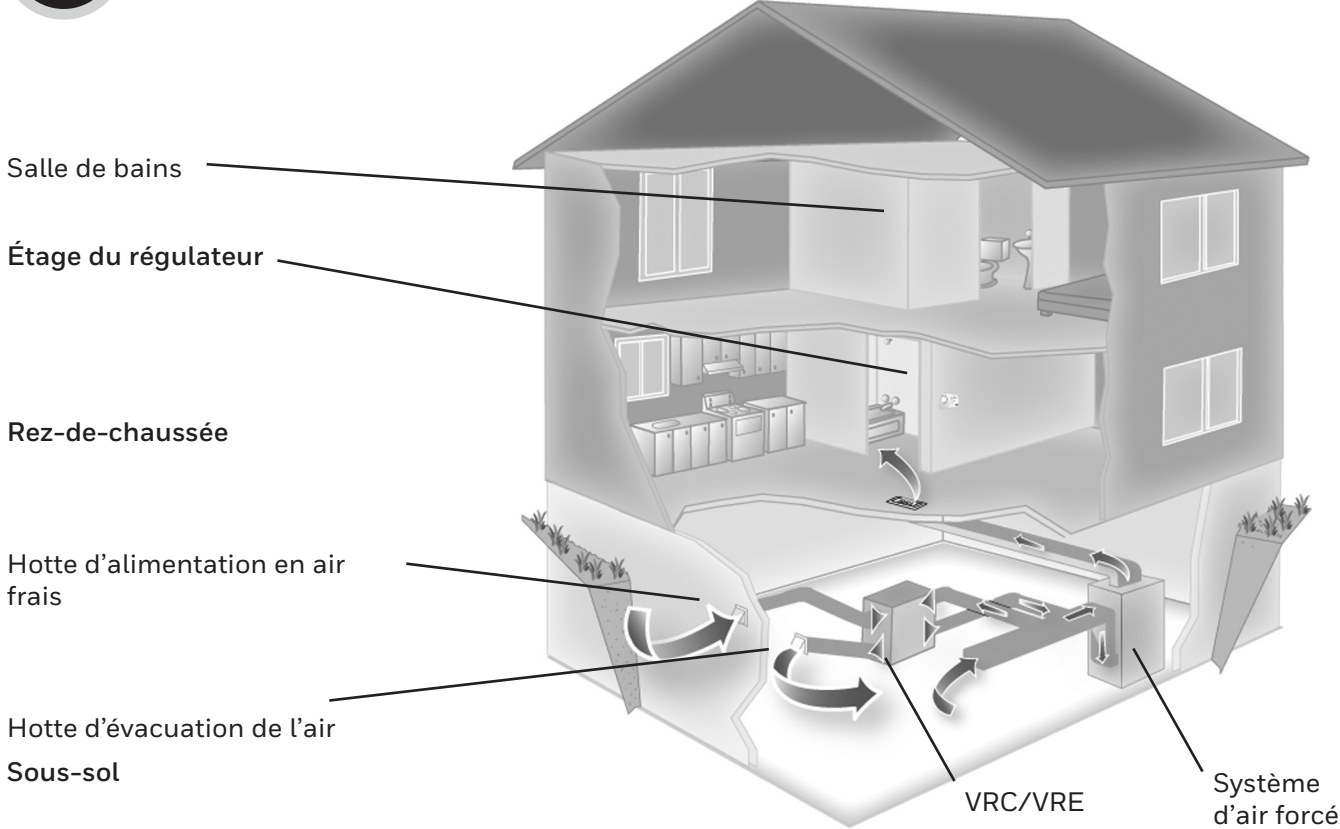
Installation du système (exemples)



Fonctionnement et fonction principale



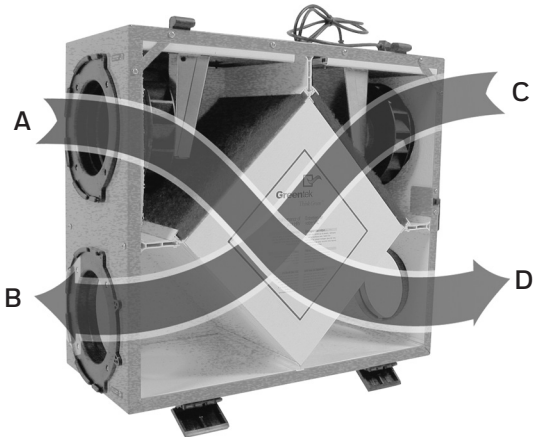
Évacuation et alimentation dans le circuit de retour



Description

Système de ventilation avec mode de recirculation

- A. Air frais provenant de l'extérieur
- B. Évacuation d'air vers l'extérieur
- C. Évacuation d'air de l'intérieur
- D. Air frais vers l'intérieur



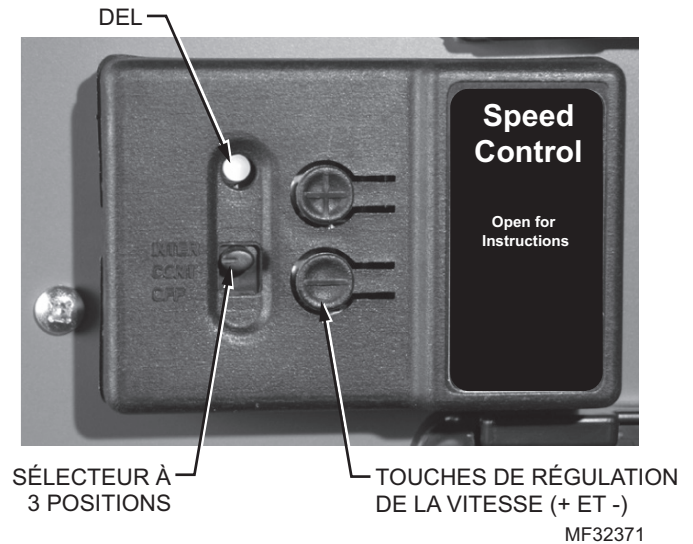
- **Air frais provenant de l'orifice extérieur (A) :** entrée d'air frais extérieur.
- **Évacuation d'air vers l'orifice extérieur (B) :** sortie pour l'air rance, humide et contaminé vers l'extérieur après transfert de sa chaleur au noyau de récupération.
- **Évacuation d'air vers l'orifice intérieur (C) :** évacue l'air rance, humide et contaminé vers l'extérieur à partir de plusieurs emplacements de la maison ou à partir de l'air de retour du système d'air forcé, avant de traverser le noyau de récupération de chaleur. Ex : salle de bains, salle de lavage, etc.
- **Air frais vers l'orifice intérieur (D) :** introduit et répartit l'air propre et frais dans votre maison. Les orifices d'air frais de la maison sont normalement installés dans les zones de vie principales ou dans le conduit de retour/alimentation du système d'air forcé. Ex : salon, chambres à coucher, salles de jeux, etc.
- **Panneau de commande :** sélectionne vos modes de ventilation (OFF, CONT ou INTER) et permet de régler les débits des flux d'air continus : Augmentation (+)/Diminution (-).
- **Filtres synthétiques :** capturent les particules les plus grosses et protègent votre noyau de récupération de chaleur d'obstructions potentielles dues à ces particules.

- **Noyau de récupération de chaleur :** un noyau de type polypropylène à flux croisé est utilisé pour transférer la chaleur entre les flux d'évacuation et d'admission d'air sans permettre une contamination ou un mélange des deux flux d'air, afin de maximiser son efficacité et améliorer la qualité de l'air intérieur.
- **Bac de récupération de condensation et flexible de vidange :** capture l'eau qui s'accumule au cours des séquences de transfert de chaleur et de dégivrage en automne, en hiver et au début du printemps. Le flexible de vidange est connecté au bac de récupération et sert à évacuer l'accumulation d'eau. Il est normal de ne pas trouver de condensation dans le bac de récupération ou le flexible de vidange au cours des mois d'été.
- **Séquence de dégivrage automatique :** les unités VRE et VRC sont dotées d'une fonction de dégivrage automatique destinée à éliminer toute accumulation de glace sur le noyau. Un dégivrage automatique est déclenché toutes les heures lorsque la température de l'alimentation en air frais est inférieure ou égale à 23 °F (-5 °C).
 - Le cycle de dégivrage s'effectue en désactivant le ventilateur d'alimentation tout en continuant à activer le ventilateur d'évacuation.
 - La vitesse du ventilateur d'évacuation est ajustée proportionnellement à la température extérieure, le ventilateur fonctionnant initialement à basse vitesse.
 - Lorsque la température extérieure continue à chuter, la vitesse du ventilateur d'évacuation augmente, et le ventilateur fonctionne à la vitesse maximale lorsque la température extérieure est inférieure ou égale à -4 °F (-20 °C).
 - Le cycle de dégivrage se compose de 4 minutes de désactivation du ventilateur d'alimentation, suivies de 40 minutes de fonctionnement normal continu.
 - Les cycles de dégivrage se poursuivent tant que la température est inférieure ou égale à 23 °F (-5 °C).
- **Air frais provenant de l'orifice extérieur (A) :** entrée d'air frais extérieur.

Panneau de commande

Le panneau de commande comporte un sélecteur à trois positions et des touches « + » et « - » pour la régulation la vitesse. La couleur du voyant DEL indique la fonction actuelle du sélecteur.

- DEL VERTE = Commande de mode (mode de fonctionnement normal)
- DEL JAUNE = Commande d'équilibrage



Régulateur de vitesse utilisé comme commande de mode

Lorsque le voyant DEL est vert, le sélecteur fonctionne comme sélecteur de mode. Les sélections sont :

- **INTER (Intermittent)** : lorsque le sélecteur est en position intermittente, l'unité fonctionne uniquement en cas d'appel de ventilation provenant d'un régulateur externe. À ce moment l'unité fonctionne à vitesse élevée jusqu'à ce que la condition soit satisfaite.
- **CONT (Continu)** : lorsque le sélecteur est en position continue, l'unité fonctionne continuellement à basse vitesse sauf en cas d'appel d'annulation provenant d'un régulateur.
- **OFF (Arrêt)** : lorsque le sélecteur est en position d'arrêt, l'unité ne fonctionne pas même en cas d'appel de ventilation provenant d'un régulateur externe.
- **Touches (+) et (-)** : utilisées pour ajuster le réglage de vitesse continue.

Régulateur de vitesse utilisé comme commande d'équilibrage

En mode d'équilibrage le voyant DEL est jaune, et le sélecteur fonctionne en tant que commande d'équilibrage pour régler la vitesse élevée des moteurs aux fins d'équilibrage (Air frais, Air d'évacuation et Deux moteurs). Les sélections sont :

- **INTER**: sélectionne le moteur d'air d'évacuation.
- **CONT**: sélectionne à la fois les moteurs d'évacuation et d'air frais.
- **OFF**: sélectionne le moteur d'air frais.

REMARQUE : la basse vitesse continue représente 50 % de la vitesse élevée déterminée.

REMARQUE : voir les Étapes de l'équilibrage à la page 7.

Régulateur de vitesse utilisé comme commande de moteur

- **Touche +** : augmente la vitesse du moteur sélectionné.
- **Touche -** : diminue la vitesse du moteur sélectionné.

REMARQUE : voir les Étapes de l'équilibrage à la page 7.

Étapes de l'équilibrage

REMARQUE : exécutez les étapes de l'équilibrage avec le ventilateur de l'équipement CVCA activé si l'unité VRE/VRC est connectée à un système CVCA.

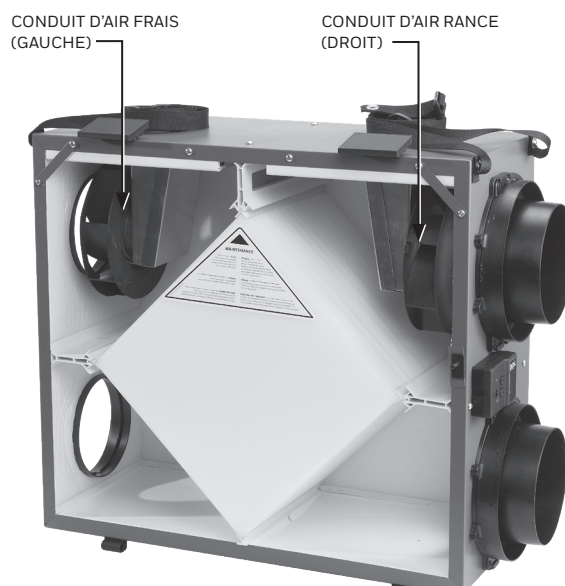
1

- Vérifiez si le sélecteur de commande de vitesse est en position INTER ou CONT.
- Pressez simultanément les touches (+) et (-) pendant 5 secondes jusqu'à ce que le voyant DEL devienne jaune, ce qui indique le passage en mode d'équilibrage.

En mode d'équilibrage, le sélecteur devient un sélecteur de moteur. Les positions du sélecteur deviennent : INTER = moteur droit (air d'évacuation), CONT = deux moteurs, et OFF = moteur gauche (air frais).

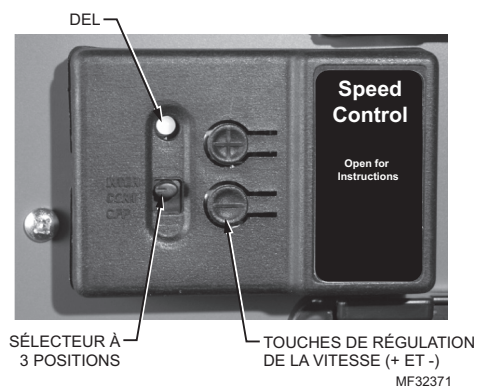
2

- Utilisez un tube de Pitot ou une station de débit pour mesurer le débit d'air dans le conduit d'air frais et le conduit d'air d'évacuation.
- Déplacez le sélecteur de mode pour ajuster le débit d'air dans le conduit présentant la valeur la plus élevée. INTER : Air d'évacuation (droit) OFF : Air frais (gauche)
- Pressez les touches (+) ou (-) pour ajuster le débit d'air au réglage de vitesse élevée désiré.
- Déplacez le sélecteur de mode en position CONT (pour ajuster proportionnellement la vitesse des deux moteurs simultanément).



3

- Pressez simultanément les touches (+) et (-) pour sortir du mode d'équilibrage.
- Le voyant devient vert.
- La vitesse continue sera égale à 50 % de la valeur π^3/min mesurée.



Utilisation de vos régulateurs muraux

Système de confort Prestige™ IAQ



- Règle à la fois le chauffage-refroidissement et la ventilation.
- Capteur sans fil pour l'affichage de la température et du taux d'humidité extérieurs.
- Programme de ventilation évolué qui comprend un cycle économiseur et l'interruption en cas de conditions extrêmes.
- Rappels de maintenance et de réparation.
- Écran couleur haute définition.
- Technologie sans fil RedLINK™

VisionPRO™ Wi-Fi (TH8321WF1001) ou VisionPRO RedLINK (TH8321R1001)



- Règle à la fois le chauffage-refroidissement et la ventilation.
- Programmation de la ventilation selon l'heure du jour ou les normes Ashrae.
- Verrouillage de ventilation en option pour conditions de température ou d'humidité basse ou élevée. Le détecteur extérieur sans fil C7089R1013 est requis pour le modèle RedLINK. Les modèles Wi-Fi obtiennent les données météorologiques d'Internet.



Déshumidistat manuel et régulateur de ventilateur automatique

- Régulation manuelle de l'humidité selon des points de consigne intuitifs.
- Régulateur W8150 assurant la régulation automatique de la ventilation conformément à la norme ASHRAE ou fonctionnant en continu.



Minuterie de ventilation à haute vitesse

- Ventilation à haute vitesse pendant 20, 40 ou 60 minutes.

Dépannage



MISE EN GARDE : une intervention sur une unité VRE/VRC et son circuit électrique peut causer des blessures. Veillez toujours à ce que l'unité soit déconnectée avant d'effectuer une correction. Ne pas déconnecter la source d'alimentation peut causer un choc électrique. L'intervention ne doit être effectuée que par un technicien d'entretien qualifié.

Problème	Étapes de dépannage recommandées
L'unité VRE/VRC ne fonctionne pas	<ol style="list-style-type: none">1. Vérifiez la polarité du réceptacle électrique.2. Vérifiez le disjoncteur dans le boîtier électrique.3. Vérifiez si le régulateur externe ou le sélecteur de mode sont activés pour un appel de ventilation.4. Débranchez l'unité et vérifiez si le(s) régulateur(s) externe(s) sont correctement câblé(s) au bloc de bornes de câblage.
L'air est trop sec	<ol style="list-style-type: none">1. Augmentez le niveau d'humidité au déshumidistat.2. Commutez le mode de ventilation de continu à intermittent.3. Installez un humidificateur.
L'air est trop humide	<ol style="list-style-type: none">1. Réduisez le niveau d'humidité sur le régulateur.2. Vérifiez si le séchoir dispose d'une ventilation vers l'extérieur.3. Attendez que la température extérieure se modifie. Par exemple, l'humidité peut parfois être très élevée en été.4. Vérifiez l'équilibrage de l'unité VRE/VRC (voir Étapes de l'équilibrage à la page 7).
La DEL du panneau de commande reste verte	Si la diode du panneau de commande VRE/VRC reste verte, les moteurs ne sont pas mis sous tension et les régulateurs ne fonctionnent pas. Ceci peut indiquer que la polarité de la prise de courant CA principale est inversée

Entretien de votre VRH/VRE

Tous les trimestres ou en fonction des besoins

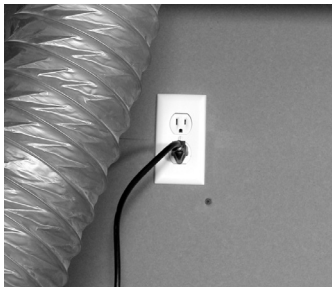
- 1** **Filtres.**
Quatre fois par an ou en fonction des besoins, aspirez les filtres. Remplacez au besoin les filtres.

Tous les ans ou en fonction des besoins

- 1** **Intérieur de l'unité.**
Une fois par an ou en fonction des besoins, nettoyez l'intérieur de l'unité (parois et bac de récupération) à l'aide d'un savon doux et non abrasif. Il est recommandé d'utiliser un produit respectant l'environnement.
- 2** **Unité du noyau de récupération d'énergie (VNT5150E1000 et VNT5200E1000)**
Aspirez les saletés du noyau de l'unité de récupération de chaleur ou rincez-le à l'eau froide. N'utilisez pas de savon, de savon à vaisselle, ni de laveur à pression.
- 3** **Unité du noyau de récupération de chaleur (VNT5150H1000 et VNT5200H1000)**
Une fois par an ou en fonction des besoins, aspirez les quatre surfaces, laissez-les tremper dans une solution d'eau chaude et de savon doux pendant 15 minutes, puis rincez et laissez sécher.

REMARQUE : voir les Étapes de nettoyage de la page 11 pour les points d'entretien ci-dessus.

Étapes de nettoyage



1. Déconnectez la prise de courant CA de l'unité ou du mur.



2. Ouvrez le panneau du volet latéral en ouvrant les deux loquets situés au sommet du panneau latéral et en abaissant le panneau en position d'ouverture totale. Retirez les deux filtres des côtés supérieurs gauche et droit du noyau, puis aspirez les deux filtres. Extrayez le noyau et nettoyez-le conformément aux instructions de la page précédente.



3. Nettoyez l'intérieur de l'unité à l'aide d'un chiffon humide et séchez-le lorsque vous avez terminé.



4. Remplacez le noyau et les deux filtres, verrouillez le panneau latéral et reconnectez la prise de courant CA à l'unité.

Garantie limitée de 5 ans

Resideo garantit ce produit, à l'exception des éléments d'entretien, comme le filtre, contre tout défaut de pièce ou de main-d'œuvre, durant une période pour cinq (5) ans à partir de la date d'achat par le consommateur d'origine si le produit est utilisé et entretenu convenablement. En cas de défaillance ou de mauvais fonctionnement pendant la période de garantie, Resideo remplacera ou réparera le produit, à sa discrétion.

Si le produit est défectueux

(i) renvoyez-le avec la facture ou une autre preuve d'achat date au lieu d'achat; ou

(ii) appelez le service à la clientèle de Resideo en composant le 1-800-468-1502. Le service à la clientèle déterminera si le produit doit être retourné à l'adresse suivante : Resideo Return Goods, 1985 Douglas Dr. N., Golden Valley, MN 55422, ou si un produit de remplacement peut vous être expédié.

La présente garantie ne couvre pas les frais de retrait ou de réinstallation. La présente garantie ne s'applique pas s'il est démontré par Resideo que la défaillance ou le mauvais fonctionnement sont dus à un endommagement du produit alors que le consommateur l'avait en sa possession.

La responsabilité exclusive de Resideo se limite à réparer ou à remplacer le produit conformément aux modalités susmentionnées. RESIDEO N'EST EN AUCUN CAS RESPONSABLE DES PERTES OU DOMMAGES, Y COMPRIS LES DOMMAGES INDIRECTS OU ACCESSOIRES DÉCOULANT DIRECTEMENT OU INDIRECTEMENT D'UNE VIOLATION QUELCONQUE D'UNE GARANTIE, EXPRESSE OU TACITE, APPLICABLE AU PRÉSENT PRODUIT, OU TOUTE AUTRE DÉFAILLANCE DU PRÉSENT PRODUIT. Certaines provinces ne permettent pas l'exclusion ou la restriction des dommages indirects ou accessoires et, par conséquent, la présente restriction peut ne pas s'appliquer.

CETTE GARANTIE EST LA SEULE GARANTIE EXPRESSE FAITE PAR RESIDEO POUR CE PRODUIT. LA DURÉE DE TOUTE GARANTIE IMPLICITE, INCLUANT LES GARANTIES DE QUALITÉ MARCHANDE OU D'ADAPTATION À UNE UTILISATION PARTICULIÈRE, EST LIMITÉE PAR LES PRÉSENTES À LA PÉRIODE À CINQ ANNÉES DE LA PRÉSENTE GARANTIE. Certaines provinces ne permettent pas de limiter la durée des garanties tacites et, par conséquent, la présente limitation peut ne pas s'appliquer.

La présente garantie donne au consommateur des droits spécifiques et certains autres droits qui peuvent varier d'une province à l'autre.

Pour toute question concernant la présente garantie, prière d'écrire aux Services à la clientèle de Resideo à l'adresse suivante : Resideo Customer Relations, 1985 Douglas Dr, Golden Valley, MN 55422 ou composer le 1-800-468-1502.



resideo

www.resideo.com

Resideo Inc., 1985 Douglas Drive North,
Golden Valley, MN 55422
1-800-468-1502

69-2481EF-07 M.S. Rev. 05-21 | Imprimé aux États-Unis