

HBL-A Series LED Linear High Bay



Product Highlights

- Compatible with Jarvis Link networked lighting control systems
- Z10 ready
- 0-10V dim-to-off + 12v auxiliary power for accessories
- Adjustable color temperature and wattage options available
- 150 lm/w efficacy
- 10 Year Warranty

Jarvis HBL-A Series

Z10 accessory ready

Optical diffuser improves eye comfort and reduces glare

Housing built from durable stamped steel with integrated thermal management for increased fixture longevity

Competitors' Products

Limited sensor options available and difficult to install

Poor optics produce a high level of unwanted glare

Fixture runs at a higher operating temperature increasing wear on electrical components and reduces fixture's lifetime

Ordering Guide *Example: HBL-A-1x2-18ML33-40K/50K-Z10R*

Product Family	Housing Size	Lumen Output / Wattage	CCT	Voltage	Dimming/ Control
HBL-A - Linear High Bay	1x2 - 1ft x 2ft	13ML24 - 13,500 lm / 90W <i>(Selectable)*</i>	40K/50K - 4000K/5000K Selectable	[Blank] - 120-277V HV - 277-480V	Z10R - Z10 Ready
	1x4 - 1ft x 4ft	18,000 lm / 120W 24,750 lm / 165W			
		18ML33 - 18,000 lm / 120W <i>(Selectable)*</i>			
		24,750 lm / 165W 33,750 lm / 225W			
		24ML45 - 24,750 lm / 165W <i>(Selectable)**</i>			
		33,750 lm / 225W 45,000 lm / 300W			

* Only available for 1'x2' models

** Only available for 1'x4' models

Additional Field Installed Accessories

Catalog #	Description
JL-Z10-SPM-INT-WHT-V1	Jarvis Link Z10 Interior Bluetooth PIR Motion Sensor + Photocell (White Color) - 40ft Max Mounting Height*
JL-Z10-WCM-WHT-V1	Jarvis Link Z10 Bluetooth Wireless Control Module (White Color)*
S-Z10-SPM-EXT-WHT-V1	Remote Programmable PIR Z10 Motion Sensor + Photocell (White Color) - 40ft Max Mounting Height
A315-Z10-V1	Programmable Remote for S-Z10-SPM-EXT-WHT-V1
HBL-A-AC-WG12	Wire Guard for 1ft x 2ft HBL-A
HBL-A-AC-WG14	Wire Guard for 1ft x 4ft HBL-A
HBL-A-AC-PM1	Pendant Mount Box for HBL-A
HBL-A-AC-BBK-12L/16L/24L/33L	25W Emergency Backup Battery Kit for 80W/110W/165W/220W HBL-A
HBL-A-AC-BBK-45L	40W Emergency Backup Battery Kit for 300W HBL-A

*Jarvis Link System requires prior training with Jarvis representative

Electrical

Input Voltage: 120-277V or 227-480V, 50/60Hz

Power Factor: >.9 at full load

Total Harmonic Distortion: <20% full load

Includes over voltage protection, overcurrent protection, and short circuit protection.

Operating Temperature Range: -40°C to 45° C Ambient (-40°F to 113°F)

Controls and Dimming

0-10V dimming leads are default on all models and accessible outside the fixture body. The power supply is capable of providing 12VDC auxiliary output power for a variety of accessories.

The HBL-A Z10R models features a dim-to-off driver and a Z10 receptacle. They are compatible with Jarvis Lighting networked lighting control system. This systems allow the lights to communicate with each other via Bluetooth® signal. Systems are typically capable of grouping, controlling and dimming lights through a number of methods including motion sensors, photo sensors, schedules, manual Bluetooth switches and more.

The HBL-A series is compatible with Jarvis Lighting's PhotoMotion™ sensors or network lighting control system. PhotoMotion™ sensors provide multi-level control based on both motion and/or ambient natural lighting levels and can be custom programmed via remote control.

The HBL-A Series is compatible with many other photosensors and motion sensor systems. Contact a Jarvis representative for more information.

DLC Product ID and Specifications

Jarvis Model #	Description	DLC Product ID	Input	Wattage	Lumens	CCT	CRI	PF
HBL-A-1x2-13ML24-40K/50K-Z10R	1x2ft Selectable White Linear High Bay w/ Frosted Lens	S-2LW0K3	120-277V 50/60Hz	90W / 120W / 165W	13,500 / 18,000 / 24,750 lm	4000K/5000K	≥ 80	≥ 0.9
HBL-A-1x2-18ML33-40K/50K-Z10R	1x2ft Selectable White Linear High Bay w/ Frosted Lens	S-V010Q0	120-277V 50/60Hz	120W / 165W / 225W	18,000 / 24,750 / 33,750 lm	4000K/5000K	≥ 80	≥ 0.9
HBL-A-1x4-24ML45-40K/50K-Z10R	1x2ft Selectable White Linear High Bay w/ Frosted Lens	S-X2MJKX	120-277V 50/60Hz	165W / 225W / 300W	24,750 / 33,750 / 45,000 lm	4000K/5000K	≥ 80	≥ 0.9
HBL-A-1x4-24ML45-40K/50K-HV-Z10R	1x4ft Selectable White Linear High Bay w/ Frosted Lens	S-FXDZ60	277-480V 50/60Hz	165W / 225W / 300W	24,750 / 33,750 / 45,000 lm	4000K/5000K	≥ 80	≥ 0.9



Construction and Materials

Housing is constructed from stamped steel with integrated thermal management design.

The housing features a powdercoat finish. Powdercoat finish is applied directly to housing and will not crack or peel. Default color is white. Custom colors are available. Contact the factory for additional color information.

Lens construction is frosted polystyrene with glare reduction optics and a 90° beam angle.

Luminaire's wattage is preset at factory.

Luminaire's construction contains zero mercury.

Fasteners are stainless-steel and will not rust or create rust-streaks.

Regulatory and Voluntary Qualifications

ETL listed to UL 1598 and UL 8750 for both US and Canada.

State of California Title 24 Compliant when installed in accordance with local requirements.

DesignLights Consortium® (DLC) Premium qualified product. Not all versions of this product may be DLC qualified. Please check the DLC Qualified Products List at www.designlights.org/QPL to confirm which versions are qualified.

Rated for Dry and Damp Locations.

Warranty and Lifetime

HBL-A Series carries a 10-year limited warranty.

Contact Jarvis representative for details.

Projected LED lifetime exceeds 50,000 hours under most operating conditions. Lifetime projections are calculated using data including LM-79, LM-80 and TM-21 calculations.

Contact Jarvis representative for details.

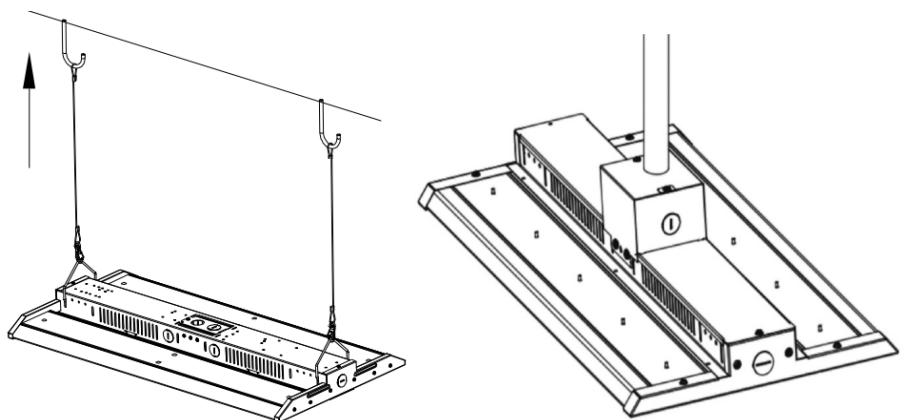
Installation

Luminaire can be installed via an included adjustable length steel cable and V-hook for suspension mounting. Luminaire can also be installed via a pendant mount or junction box surface mount. Pendant or junction box mounting requires separately ordered accessory kit. Luminaire features 7" input power and dimming wire leads accessible outside the luminaire for each of the installation connections.

During installation the color temperature of HBL-A fixtures can be changed via 1 switch located inside the center driver compartment.

When installing Z10 compatible accessories, the receptacle cover cap must first be removed. Z10 compatible accessories must be inserted and rotated until locked into place on the receptacle.

Contact a Jarvis Representative for full installation instructions, videos or additional information.



Accessories

The HBL Series is compatible with many photosensors and motion sensor systems. For pendant or junction box mounting applications, accessory kit must be ordered separately. Contact a Jarvis representative for more information.

Photometrics

Photometric information, including LM-79 reports and .IES files are available for most models at www.jarvislighting.com. Site photometrics and lighting layouts are available. Contact a Jarvis representative.

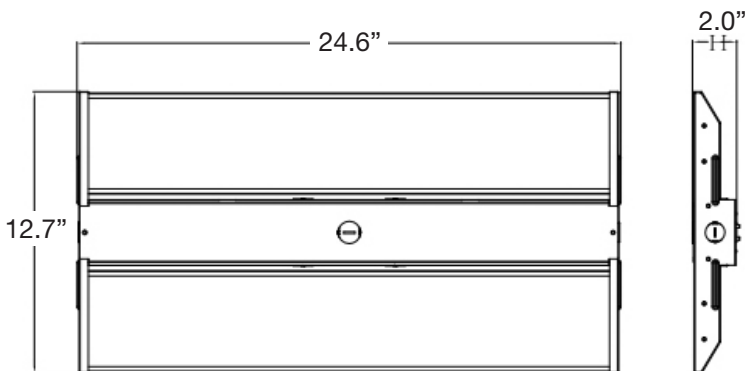


Product Weight:

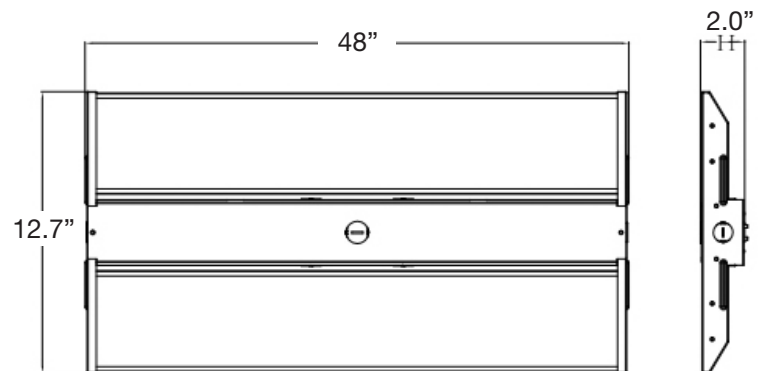
Model	Net Weight
HBL-A-1x2	5.9 lbs
HBL-A-1x4	13.6lbs

Dimensions:

HBL-A-1x2



HBL-A-1x4



BRIGHT DONE RIGHT™

