

## J-ST04<sup>®</sup>



### FEATURES AND SPECIFICATIONS

#### Construction

Sensor base is available  
 Easy to open the strip light for quick installation  
 Non-Yellow PC Lens  
 Seamless Electronic Linkable available  
 4FT and 8FT Options

#### Electrical

Input Voltage: 120-277vac  
 0-10v dimmable in standard configuration  
 3 Wattage and 3 CCT selectable  
 High lumen efficient 130lm/w on average  
 Sensor controls, emergency versions for options  
 Wiring both on two ends and in the middle available

#### Applications

Offices, retail, schools, storage facilities restaurants, healthcare, residential, and hospitality applications

#### Installation

Embedded and Suspending mounting

#### Listing

Comply with the requirements of the Standard(s) for Luminaires (CAN/CSA-C22.2No.250.0) and are identified with the cETL Listed Mark Design Lights Consortium<sup>®</sup> (DLC) Premium.

#### Warranty

5-year limited warranty

### Specs at a Glance

\* Nominal Wattage (Switchable)

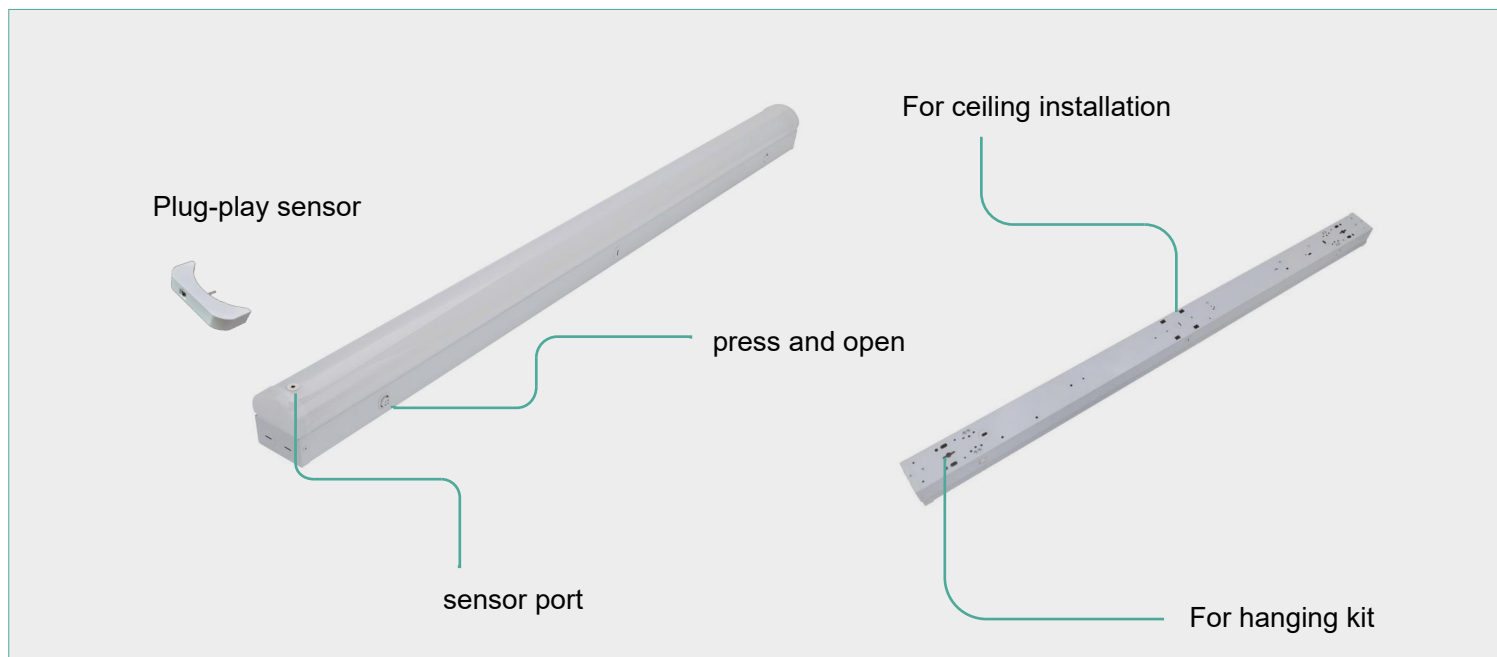
Configuration	ST4F-45MDNC	ST8F-90MDNC
CCT (K)	3CCT Selectable: 3500K-4000K-5000K	
Wattage (W)*	20W/30W/45W	70W/80W/90W
Size	4FT	8FT
Efficacy (LPW)	>130lm/w	
CRI	>80	
Input Voltage	120-277V	
Operating Temp	-20°C-45°C	
Certifications	DLC 5.1 Premium	DLC Standard
Warranty	5 years warranty	

## Ordering Guide

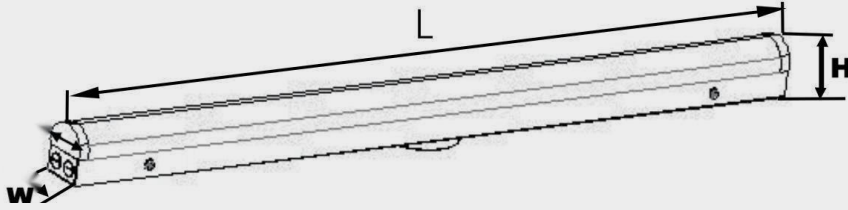
Example: MC-ST8F-90MDNC

ST	Size LX	Wattage xxxW	CCT XX	Blank xx	Input Voltage
Strip Lights	<b>4F</b> 4FT <b>8F</b> 8FT	<b>45</b> 20W/30W/45W <b>90</b> 70W/80W/90W	3000K-4000K- 5000K- <b>D</b> CCT and Wattage Selectable	<b>Blank</b> Motion Sensor &Emergency Backup <b>M</b> Motion Sensor <b>EM</b> Emergency Backup <b>CPA</b> Non-montion & emergency	<b>C</b> 120-277Vac

## Detail



## Dimensions



L=Length	W=Width	H=Height
48"	2.95"	3.27"
96"	2.95"	3.27"

## Accessories (Sold Separately)



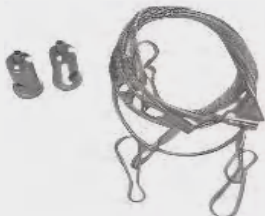
### Plug-in Microwave Sensor

- 4m/13.12Max installation height
- detection distance is bigger 3m/9ft
- Detection angle is 30-150° (without glass cover)
- Remote control for setting detection area,hold time,daylight threshold,dimming level,standby period and daylight harvesting



### Link-able Connector

- Option accessories
- For continuous row installation
- White painting to prevent rust,and keep the same color with the strip fixtures.



### Suspension kit

- For suspend the strip light
- Stainless steel material
- 5FT length is standard
- Option accessories

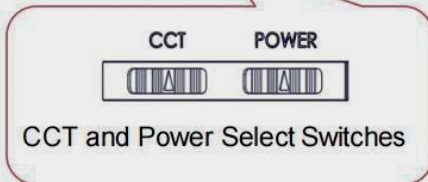
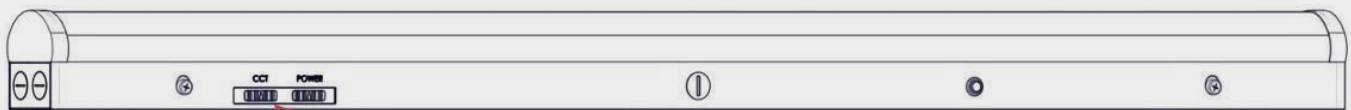


### Junction Box Cover Plate

- To cover the ceiling hole
- white painting to prevent rust, and keep the same color with the strip fixture

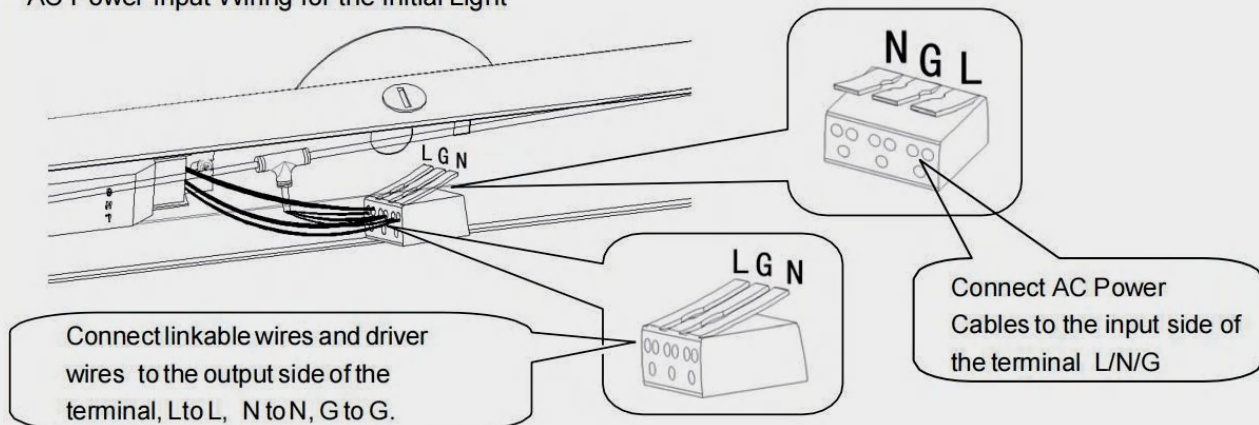
## INSTALLATION

※ Slide the switches on the shell to select the desired CCT and wattage before installation



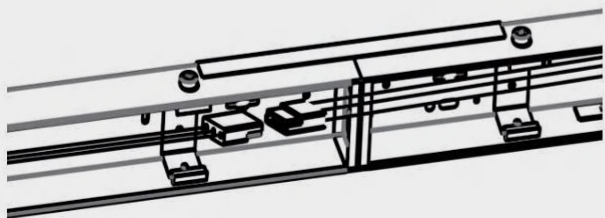
CAUTION: Turn off power before wiring fixture to the power supply

### AC Power Input Wiring for the Initial Light



## Ceiling Installation Instruction

Connection: Plug the male/female connector from the previous light to the female/male connector of the next light.

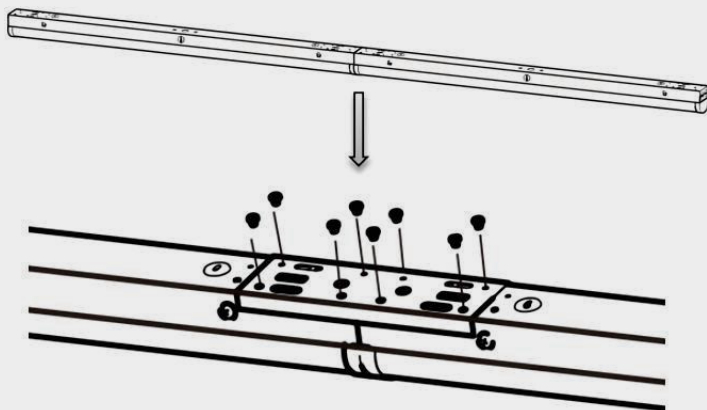


### Caution:

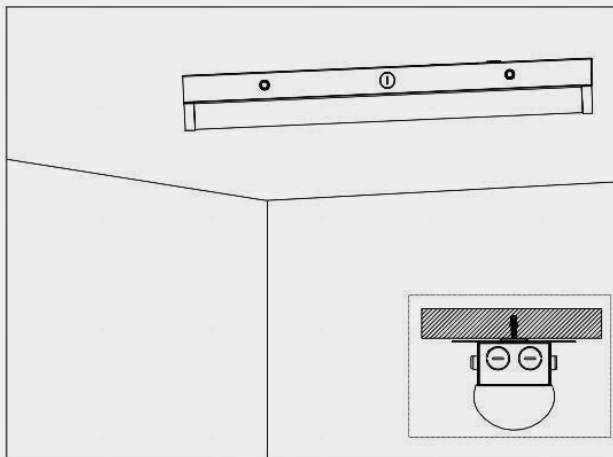
The Linear Strips can be connected  
Max. 450W.

Max. Connection:  
4FT: 10pcs  
8FT: 5pcs

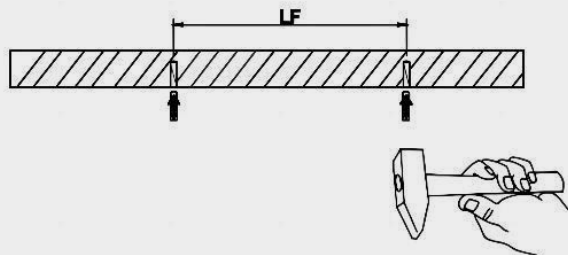
Use a link-able connector to connect two fixtures if row connection, keep the row connection is on the straight.



## Ceiling Installation Instruction



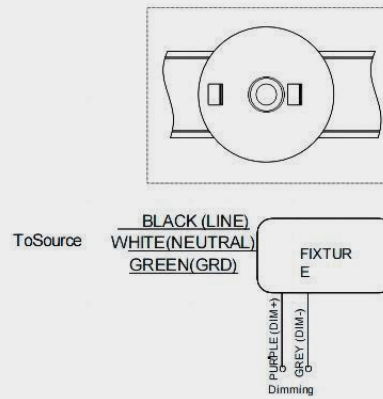
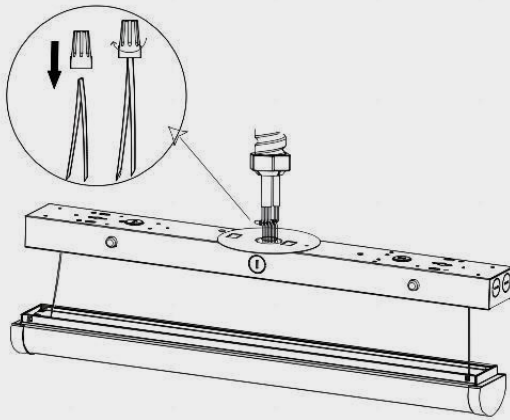
1. Punch a hole on the wall and put the expansion tube inside.



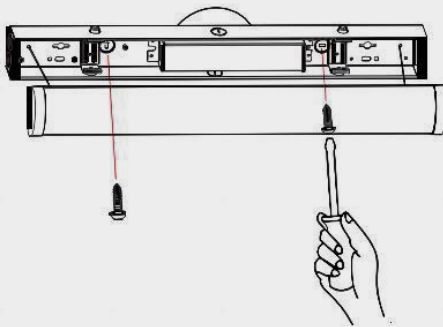
4FT: LF=36.22"

8FT: LF=83.38"

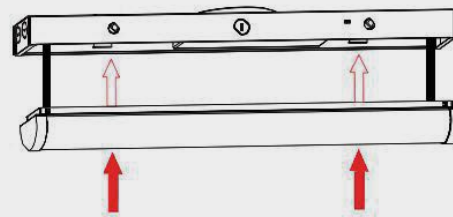
2. Make sure the power is off and wiring by using wire nuts.



3. Secure the fixture on the wall and lock it in tight.

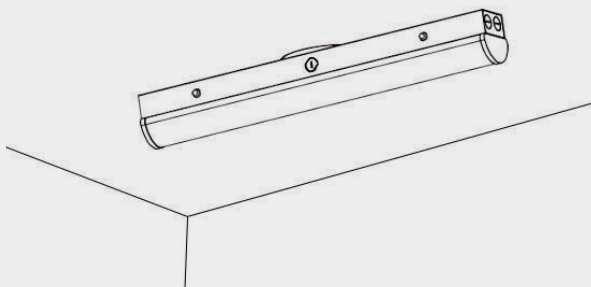


4. Press upward the cover and lock it with springs tightly which located into the fixture.

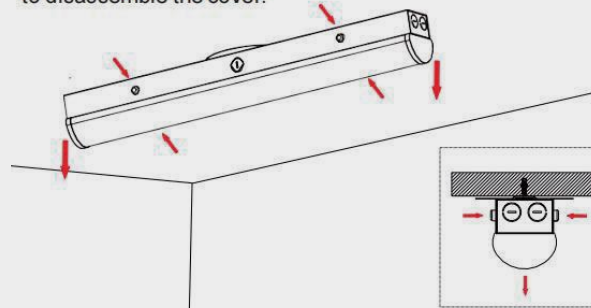


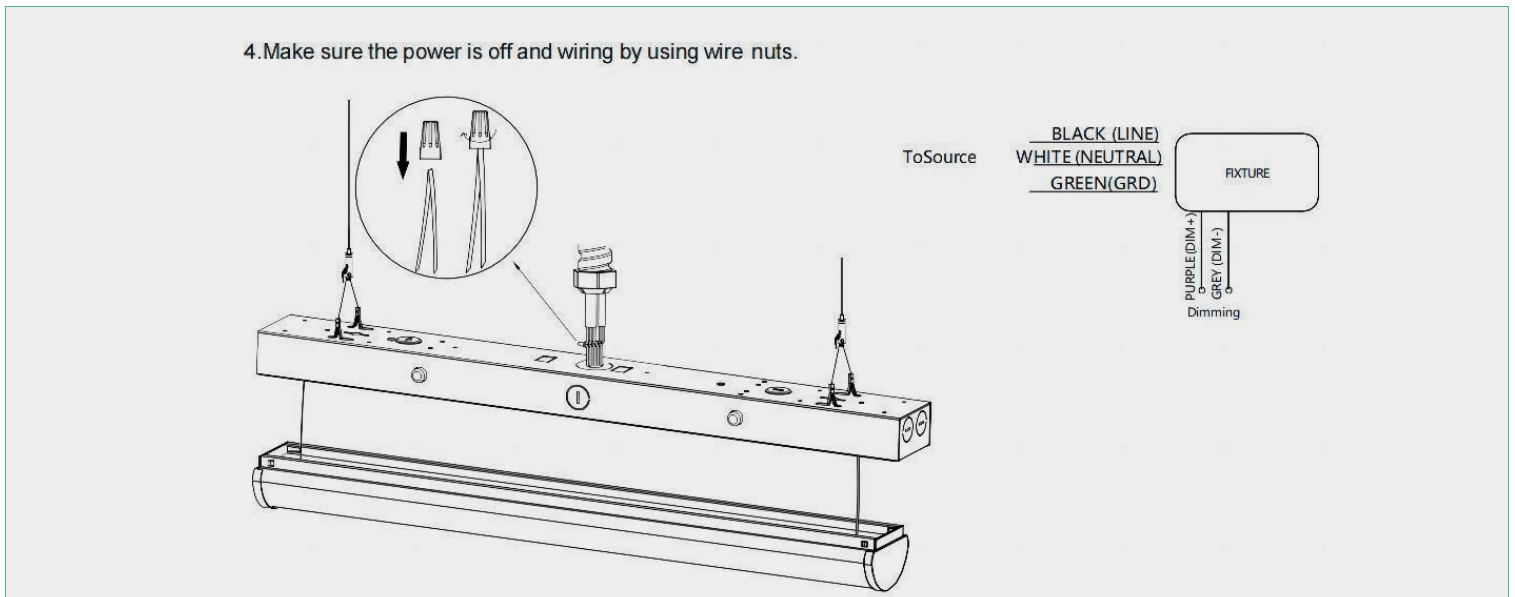
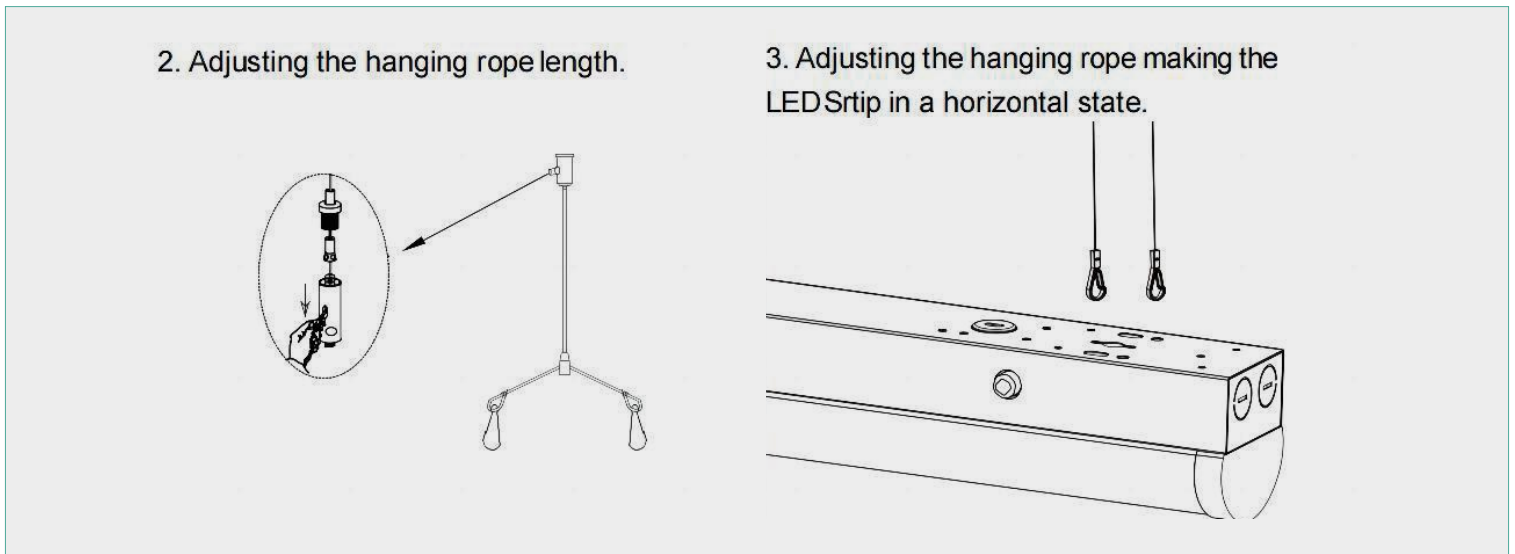
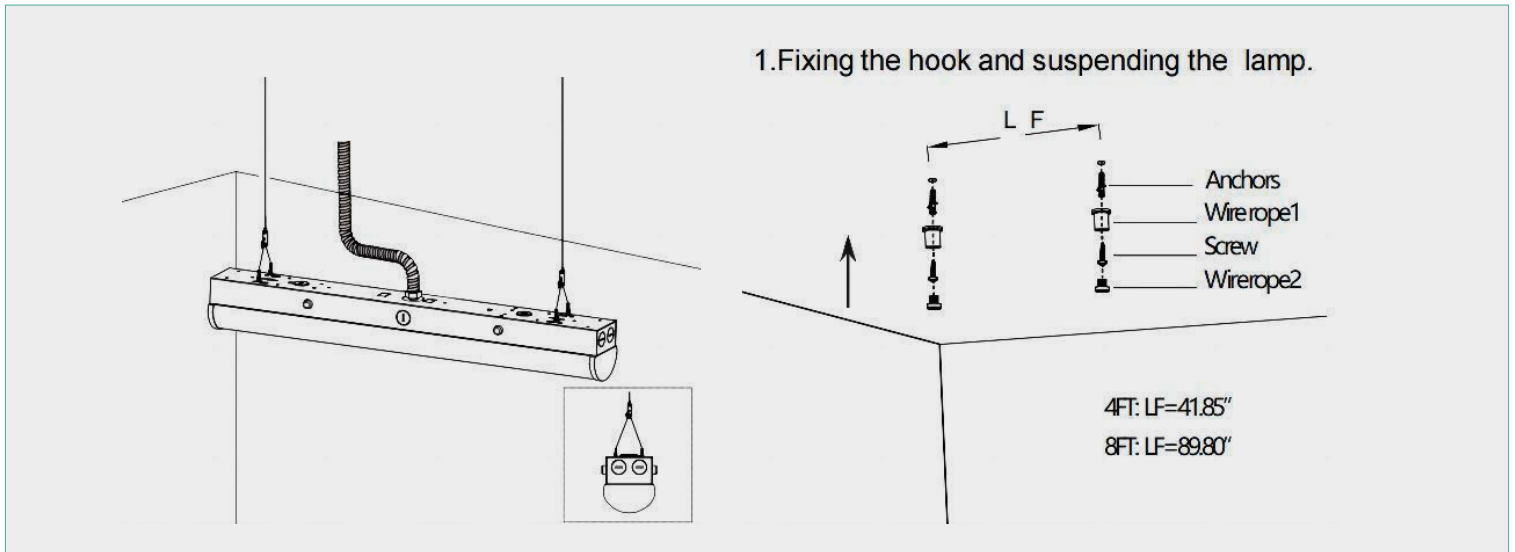
Press the cover right above the buckles

5. The installation completed.



6. Press the buckle on both sides and remove, if you need to disassemble the cover.





## Packing Information

Size	Packing Detail				
	L(cm/inch)	W(cm/inch)	H(cm/inch)	PC/CTN	GW(Kg)
4FT	128.5cm/50.6"	27cm/10.6"	20cm/7.9"	6PCS	12.5
8FT	251cm/98.8"	18.5cm/7.3"	20cm/7.9"	4PCS	15