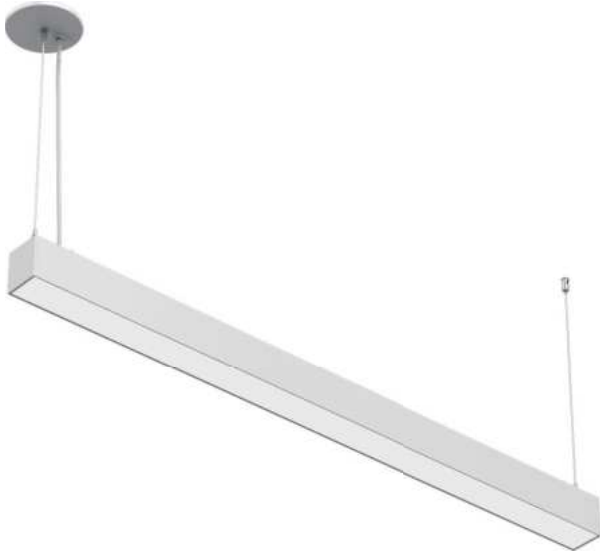




## J-LS02®



### FEATURES AND SPECIFICATIONS

#### Construction

- Light direction is selectable from Down only, Up only or both Down & Up lights.
- Five lighting distribution ways switchable: Up 100%+Down 0%, Up 70%+Down 30%, Up 50%+Down 50%, Up 30%+Down 70%, Up 0%+Down 100%
- Control CCT of down or uplight individually, Switch from 3500K, 4000K & 5000K.
- Sensor and emergency battery backup are available.

#### Electrical

- Working voltage 120-277V
- 0-10V dimming standard for a dimming range of 100% to 0%.
- Operating Temperature Range: -20°C to +45°C (-4°F - + 113°F).
- Note: Operating with emergency battery temperature range: 5°C to 45°C (+41°F - + 113°F).

#### Applications

- Commercial area, Residential area, Convention center, Office, Lobby, hospitality, Showroom, Hotel.

#### Installation

- Pendant mounting, surface mounting and wall mounting standard. Linkable mounting: 15pcs MAX unique end cap simplifies install a seamless continuous runs or individuals.

#### Listing

- UL listed.
- DesignLights Consortium® (DLC) Premium

#### Warranty

- 5-year limited warranty

Specs at a Glance	* Nominal Wattage (Switchable)
Configuration	DB7E-4-50W- A5C3
CCT (K)	UP 3500K 4000K 5000K Tunable DOWN 3500K 4000K 5000K Tunable
Wattage (W)*	50/35/25/15W adjustable
Lumens (lm)	50W=6500lumens 35W=4550lumens 25W=3250lumens 15W=1950lumens
Efficacy (LPW)	130lm/w
Size	4FT
CRI	>80
Input Voltage	AC 120-277V
Operating Temp	-20°C-45°C
Certifications	UL&DLC 5.1 Premium
Warranty	5-year limited warranty

## Ordering information

Model	Description
DB77E-4-50W- A5C3	4FT linear strip light, Power Switchable 50W/35W/25W/15W, Color Switchable 3500K/4000K/5000K 120-277VAC

## Detail

### Color Temperature & Light Distribution Field Adjustable Controls

CCT Switchable  
3500/4000/5000K

Uplight

A

Downlight

B

C

Adjustable Light Distribution

- ① UP: 100% & DOWN: 0%
- ② UP: 70% & DOWN: 30%
- ③ UP: 50% & DOWN: 50%
- ④ UP: 30% & DOWN: 70%
- ⑤ UP: 0% & DOWN: 100%

FINISH OPTIONS:

- White
- Black

White

Black

Pendant  
(Up&down)

Pendant  
(Up)

Pendant  
(Down)

Surface mounted

Recessed

Wall mounted  
(Up&down)

Wall mounted  
(Up)

Wall mounted  
(Down)

### Seamless continuous connection easily

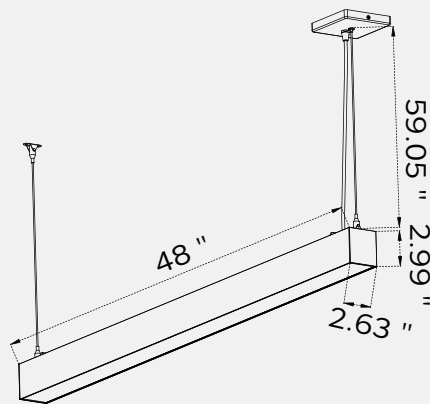
→

→

## Link Pattern



## Dimensions



4FT: L x W x H  
48" x 2.63" x 2.99"  
(1219.2x66.8x75.95mm)

## Accessories



Straight Connector



L Connector



T Connector



+Connector



Cutttable Flexible Cover



Round Canopy &  
Power Cable



Square Canopy &  
Power Cable



Microwave Motion Sensor  
(Merrytek)



Emergency Battery Backup

## Installation Instruction

### Suspension installation with square surface plate.

**1**

Press to adjust the length of the suspension wire

**2**

Choose the light distribution and color temperature of the upper and down lights

OR

Single CCT and single power, not available to select

**3**

**4**

**5**

Insert the wire rope into the metal fixator

**6**

COMPLETED

SPEC	A
2FT	566mm
4FT	1175mm
8FT	2394mm

### Suspension installation with square surface plate.

**1**

Press to adjust the length of the suspension wire

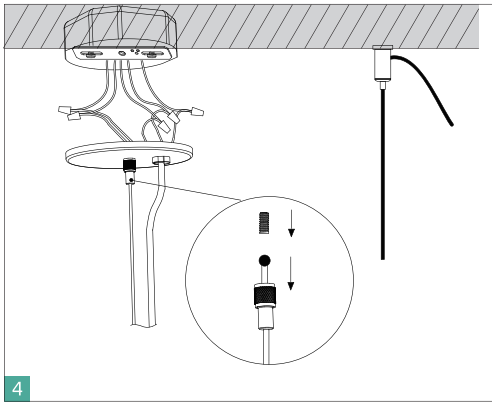
**2**

Choose the light distribution and color temperature of the upper and down lights

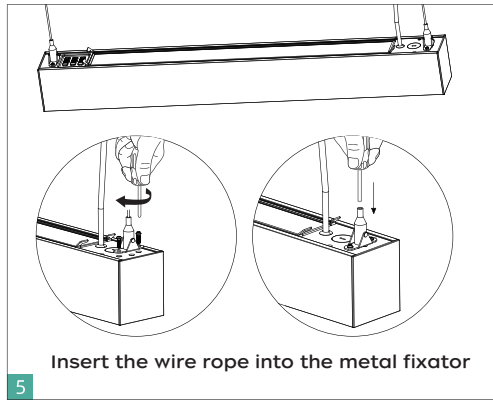
OR

Single CCT and single power, not available to select

**3**

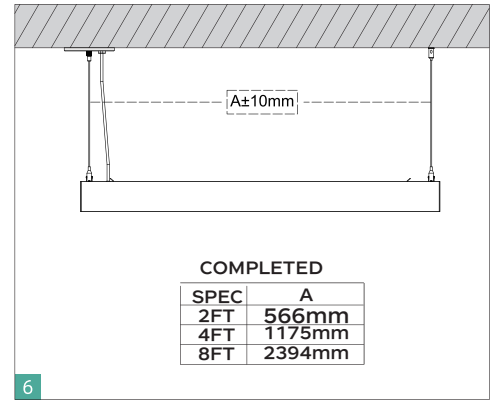


4



Insert the wire rope into the metal fixator

5

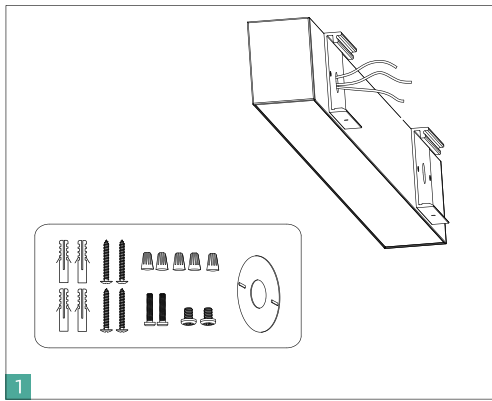


COMPLETED

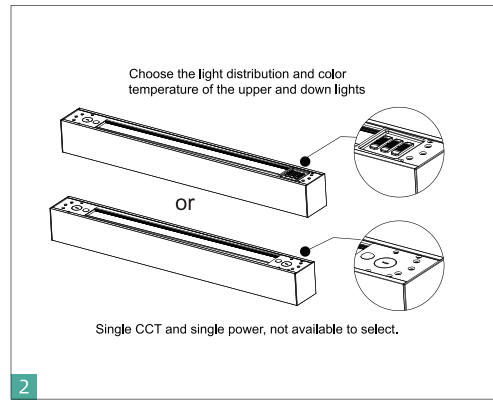
SPEC	A
2FT	566mm
4FT	1175mm
8FT	2394mm

6

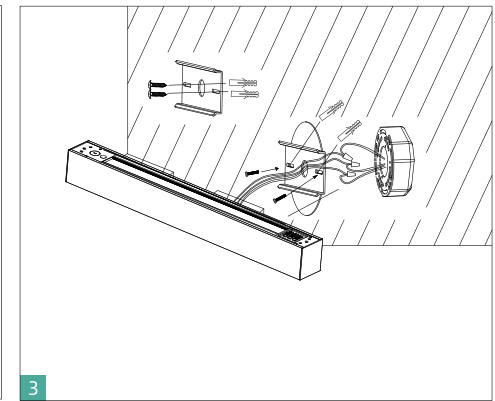
## Wall mounted installation



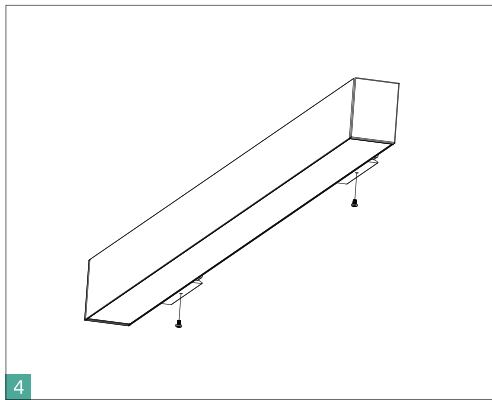
1



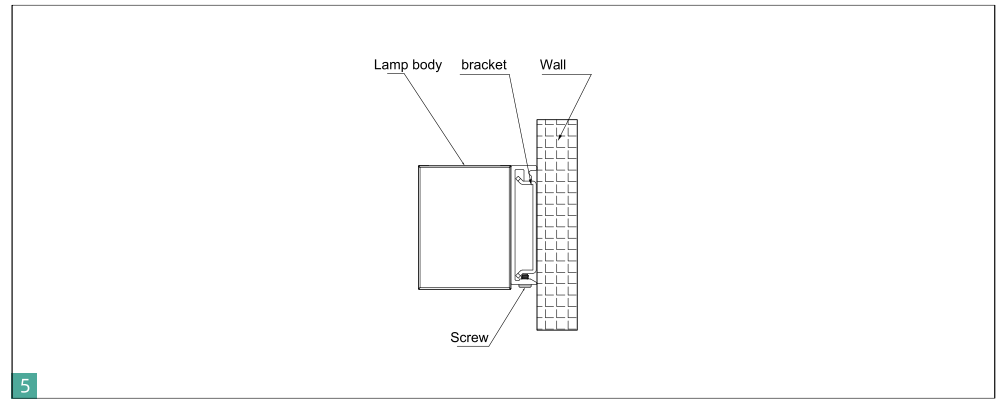
2



3

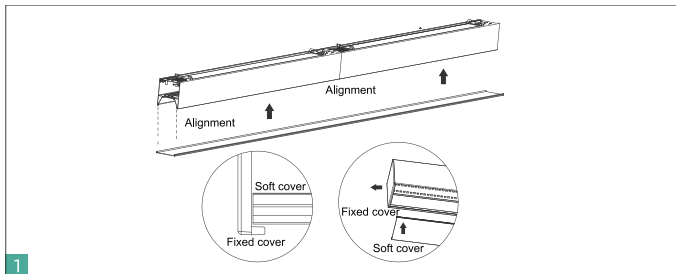


4

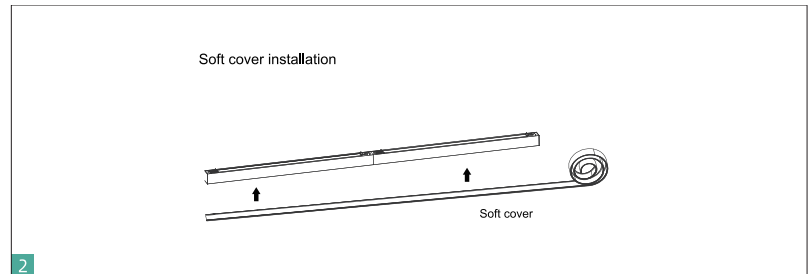


5

## Cover installation



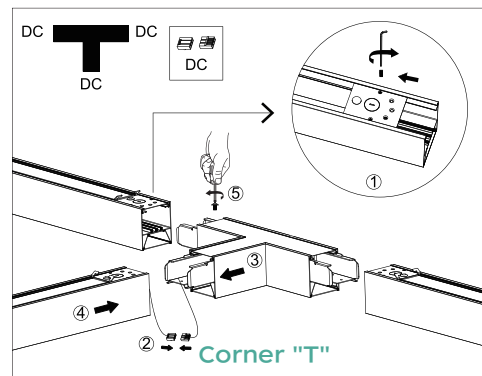
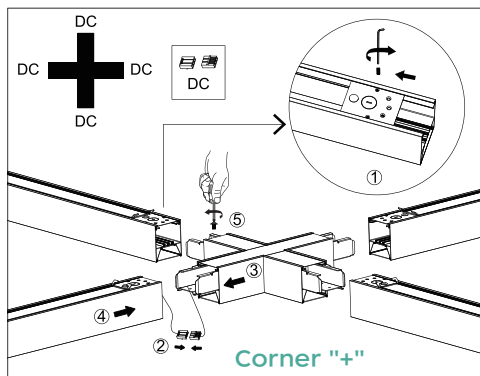
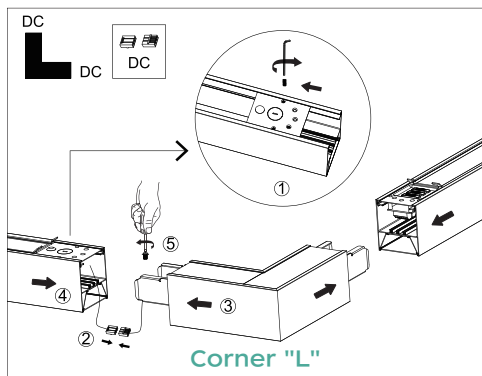
1



2



## Link Pattern



## Installation Instruction

Model number	L /inch	W /inch	H /inch	QTY/ctn	G.W./lbs	CTN QTY/ pallet
DB77E-4-50W- A5C3	52.3	1.2	1.3	6	46.7	/