

J-AR08[®]



FEATURES AND SPECIFICATIONS

Construction

- Die-cast Aluminum housing with powder coat finish.
- UV Stabilized polycarbonate lens.
- Easy to install and operate

Electrical

- Lumileds Chips, 140lm/w.
- Sosen Led Driver , AC120-277V,0-10V dimming
- Surge Protection: 10KV
- CCT & Wattage Selectable
- Light Distribution: Type III
- Waterproof : IP65 rated

Applications

- Parking Lots, Factories, Playgrounds, Retail Centers, Walkways, Warehouses

Installation

- Slip-fitter/Trunnion/Yoke/Adjustable Arm Mount/Arm Mount

Warranty

- 5 years warranty

Specs at a Glance

* Nominal Wattage (Switchable)

Configuration	J-AR08-150WBT3DA2	J-AR08-300WBT3DA2
CCT (K)	3000K 4000K 5000K Tunable	
Wattage (W)*	100W/120W/150W wattage adjustable	200W/240W/300W wattage adjustable
Lumens (lm)	max.21000lm	max.42000lm
Efficacy (LPW)	Up to 140lm/w	
CRI	>80	
Input Voltage	120-277V	
Operating Temp	-40°C-50°C	
Certification	UL DLC Premium	
Warranty	5 year limited warranty	

Ordering information

Example: J-AR08-300WBT3DA2-abcdefg [q]

Brand	Wattage xxxW	Manufacturer of LED	Lighting Distribution	CCT&Wattage Selectable
JEN Lighting AR08 Series	200W 240W 300W	B= Lumileds SMD2835	T3=Type III	"f" can be any alphanumeric for CCT, 3000K/4000K/5000K "g" can be "W" or blank for dimming module provided not.

Detail

Light Distribution:
Type III

Lumileds Chips
Sosen LED Driver



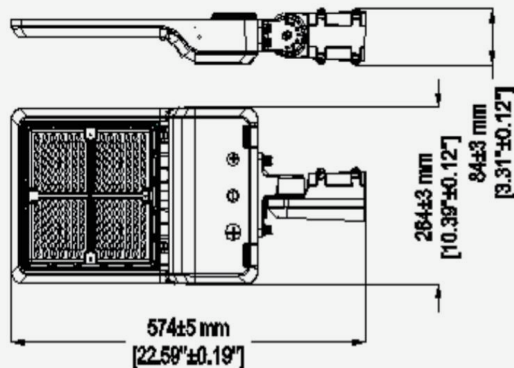
Wattage and CCT
selectable switches

Photocell Option

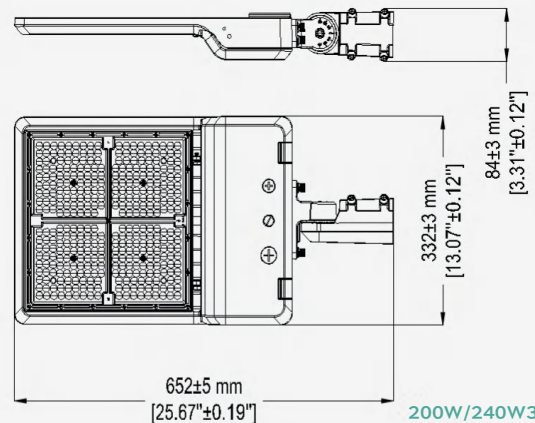


Tool Free

Dimensions



100W/120W/150W



200W/240W/300W

Accessories



Type A
Slip-fitter



Type B
Adjustable arm mount
(Square/Round pole)

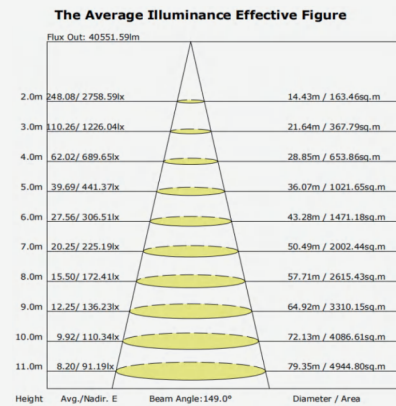
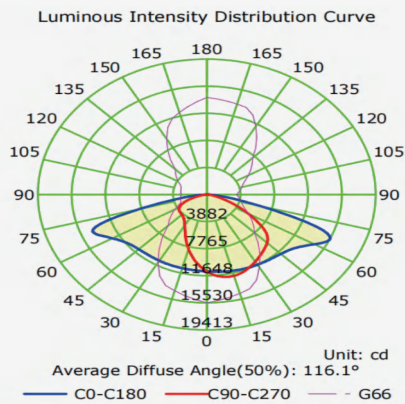


Type D
Trunnion



Photocell sensor

PHOTOMETRICS



Packing/Weight

Part NO.	Outer Carton Size	Qty/Carton(pcs)	Net weight(lbs)	Gross weight(lbs)
J-AR08-150WBT3DA2	21.6x12.6x5.9 inches	1	10.3 lbs	11.3 lbs
J-AR08-300WBT3DA2	24.8x14.96x5.91 inches	1	12.5 lbs	13.6 lb