



PRESSURE-COMPENSATING BUBBLE SPRAY FAUCET AERATOR

N3210B-PC, N3212B-PC, N3104-PC, N3205B-PC-TU, N3210BBN-PC-TU

OVERVIEW

Our Niagara Conservation Pressure-Compensated Bubble-Spray Aerators are an innovative water-saving solution designed to accommodate both male and female applications. These faucet aerators save water and energy by producing forceful streams at a reduced flow rate that minimizes the amount of energy needed to heat hot water.



KEY FEATURES

- Dual-threaded
- Fits most male- and female-threaded faucets, Male: 15/16-27, Female: 55/64-27
- Pressure-compensating technology guarantees a consistent flow rate across a wide range of pressure
- Bubble spray



CERTIFICATION & PERFORMANCE REQUIREMENTS

- ASME A112.18.1 / CSA B125.1; ANSI/NSF 61
- WaterSense® Labeled

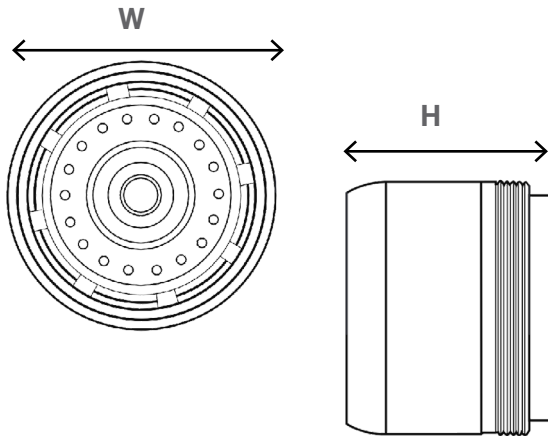
SPECIFICATIONS

CATALOG #	SPRAY	FINISH	FLOW RATE
N3210B-PC	Bubble	Chrome	1.0 GPM
N3212B-PC	Bubble	Chrome	1.25 GPM
N3104-PC	Bubble	Chrome	1.5 GPM
N3205B-PC-TU	Bubble	Chrome	0.5 GPM
N3210BBN-PC-TU	Bubble	Brushed Nickel	1.0 GPM

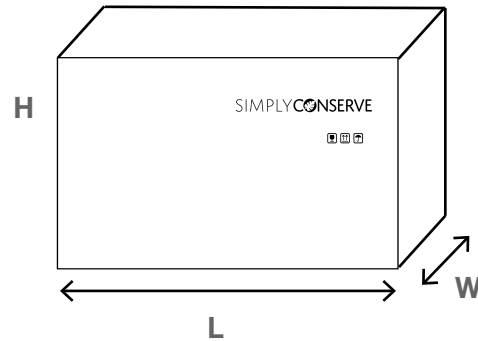


DIMENSIONS

PRODUCT



PACKAGING



CATALOG #	W	H
N3210B-PC	0.94"	0.94"
N3212B-PC	0.94"	0.94"
N3104-PC	0.94"	0.94"
N3205B-PC-TU	0.94"	0.94"
N3210BBN-PC-TU	0.94"	0.94"

CATALOG #	L	W	H	CASE QTY	GROSS WT
N3210B-PC	8.8"	9"	7.8"	500	15.65 lbs.
N3212B-PC	9.3"	8.8"	7.9"	500	15.75 lbs.
N3104-PC	8.5"	8.7"	7.5"	500	15.8 lbs.
N3205B-PC-TU	16"	6"	7.1"	84	16.75 lbs.
N3210BBN-PC-TU	5.8"	15.3"	6.9"	84	17.1 lbs.

10-YEAR LIMITED WARRANTY

AM Conservation Group, Inc. guarantees to the original purchaser or recipient of an aerator that it is free from defects in material and workmanship for a period of 10 years. AM Conservation Group, Inc. will at our choice replace any part of the aerator which is in our opinion defective provided that the product has not been abused, misused, altered, or damaged after its purchase. This includes damage due to the use of tools or harsh chemicals. In the event a product has been discontinued, AM Conservation Group, Inc. will replace it with what we determine to be the closest product. AM Conservation Group, Inc. is not responsible for labor charges, installation, or other consequential cost. AM Conservation Group, Inc.'s responsibility shall not exceed the original cost of the product.

For warranty claims, please contact:

customercare@amconservationgroup.com

To learn more, please visit:

www.amconservationgroup.com