



ASmart LIGHT CO., LIMITED  
 E-mail: sales@asmart-light.com  
 www.asmart-light.com



P/N: AST-CLW07E-080WECA1-acK

Note:

AST= Company name

CLW07E = Product series, LED Corn Light

080W = Rating Power

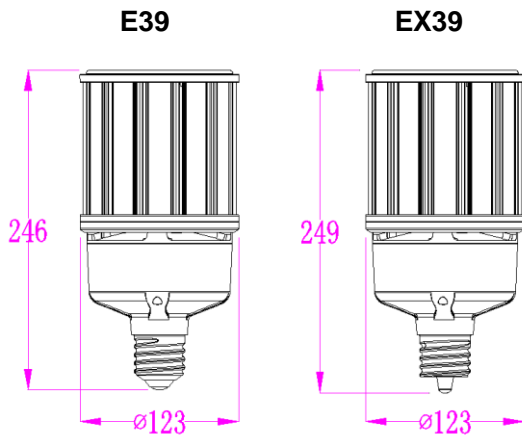
E = LED manufacturer SAMSUNG

C = Cover type, Clear cover

a=represent the lamp base type, can be "E" for E39, "EX" for EX39

cK=CCT, 30K=3000K, 35K=3500K, 40K=4000K, 50K=5000K, 57K=5700K

## DIMENSIONS



## ADVANTAGE

- UL cUL DLC certificate.
- E39 EX39 lamp base.
- Big heat sink, NO fan.
- Internal driver, input voltage AC100-277V.
- Meet 6KV surge immunity level.
- Sealant pouring for whole driver and lamp plastic housing.
- Long lifespan and good heat dissipation.
- Direct replacement for Metal Halide, easy installation.
- Fits many different fixtures to replace traditional lamps.

## NOTICE FOR USER

- ◆ Please turn off power before install or change assembly parts.
- ◆ The input voltage and lamps should be matched, after connecting the power line, Please make sure the wiring section is insulated.
- ◆ Make sure to remove or bypass the ballast in the fixtures before install the lamps.
- ◆ Suitable for damp locations. Do not use with dimmers.
- ◆ Suitable for use in enclosed luminaires, min. lamp compartment dimensions: 420\*230\*230MM.
- ◆ No-professionals, must not install and disassemble the lamps.

## APPLICATION

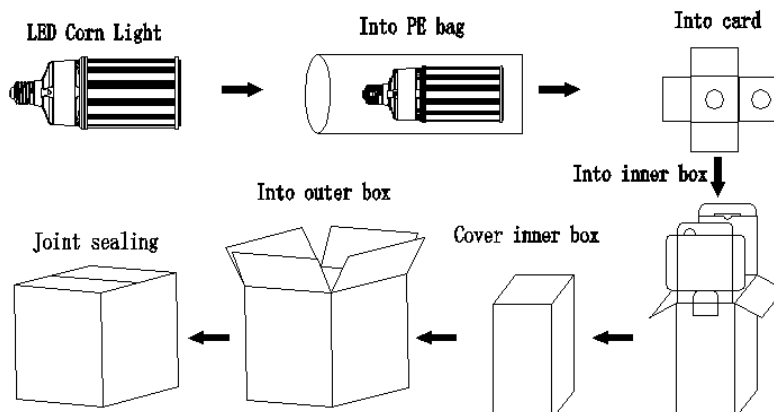
- Replacement Lamps for High Bay Luminaires (Type B).

## SPECIFICATIONS

<b>OPTICAL</b>	Input Power	80W
	Lumen	8800-10000 LM
	Lumen Efficacy	110-125LM/W
	Color Temperature	3000K, 3500K, 4000K, 5000K, 5700K
	CRI	>80
	Viewing Angle	104 Degree
<b>ELECTRICAL</b>	Input Voltage	100-277VAC 50/60Hz
	PF	≥0.9
	THD	≤20%
	Equivalent	150W CFL, 250W MHL/HPS/HID
<b>MATERIALS</b>	LED Brand	<b>SAMSUNG</b>
	LED Type	SMD2835
	LED QTY	240 PCS
	Housing	PC + Aluminum
	Housing Color	Any colour
	Cover	Clear
<b>OTHERS</b>	Operating Temperature	-40°C TO 45°C
	Operating Humidity	20%-70% RH
	Storage Temperature	-40°C TO 80°C
	Storage Humidity	10%-75% RH
	Warranty Time	5 Years

## PACKAGE

	Size	Qty / Carton	Net Weight / Carton	Gross Weight / Carton
Inner box	275*130*130 MM	1 PC	1.38 KG	1.54 KG
Outer box	405*275*295MM	6 PCS	8.28 KG	9.88 KG



## LIGHT DISTRIBUTION TESTING PARAMETERS

Remark: The testing data comes from the product in luminaires.

## Luminaire Property

Luminaire Manufacturer:

Voltage: 119.9 V

Power: 79.95 W

Current: 0.6716 A

Power Factor: 0.992

## Photometric Results

IES Classification: Type III

Total Rated Lamp Lumens: 9224.3 lm

Efficiency: 100%

Upward Ratio: 0%

Central Intensity: 1891.21 cd

Pos of Max. Intensity: H292.5 V43

Longitudinal Classification: Very Short

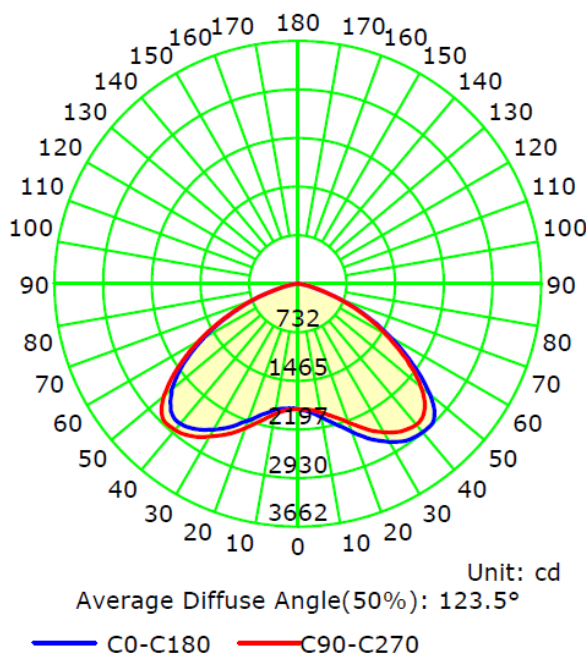
Measurement Flux: 9224.3 lm

Downward Ratio: 100%

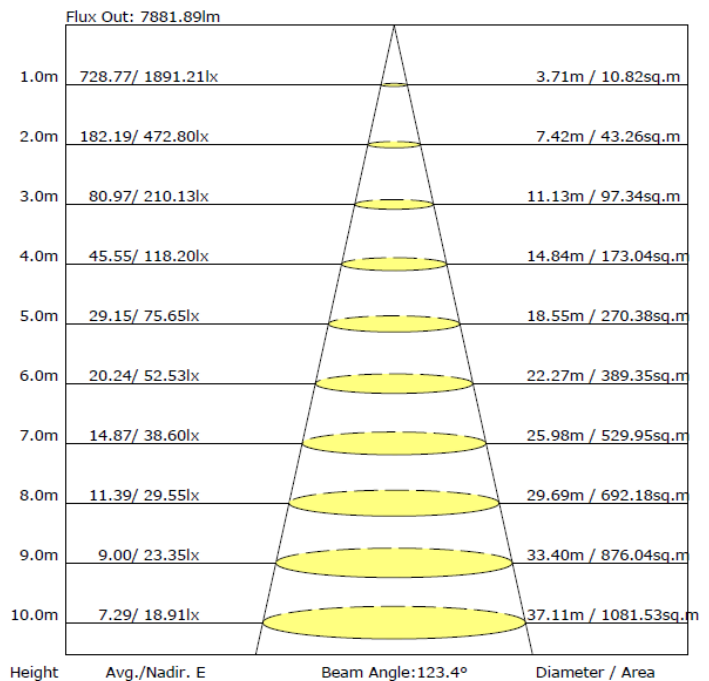
Luminaire Efficacy Rating (LER): 115.38

Max. Intensity: 2930.28 cd

Luminous Intensity Distribution Curve



The Average Illuminance Effective Figure



## TROUBLE SHOOTINGS

Troubles	Check points
Flickering of the light	Turn off the power and turn on again in 3 minutes. If same phenomena occur, then call agencies.
Out of working	Please check the connection.