

Specifications

CRI	Color Temp	Ambient Temp (F)	Mounting Bracket	Housing	Lens	Hardware	IP Rating	SP	Efficacy	Gross Weight	Beam Angle	Warranty	Case Quantity
80	5000K	-40° - 131°	stainless steel	copper-free aluminum	tempered glass	stainless steel	IP66	10KV	140 LM/W	11.68 lbs	120°	6 years	1 pcs

select your fixture

Part Number	Consumption	Voltage	Lumen Output	Dimensions	Weight
GI-EPA-C250C-C1D2	60W	AC 100-277 V DC 12-48 V	8,400	10.2" x 6.3" x 8.31"	11.6lbs
GI-EPA-C250L-C1D2	60W	AC 100-277 V DC 12-48 V	8,400	12.5" x 9.45" x 6.5"	17.4lbs
GI-EPA-C250HO-C1D2	80W	AC 100-277 V DC 12-48 V	11,200	12.5" x 9.45" x 6.5"	17.4lbs
GI-EPA-C400-C1D2	100W	AC 100-277 V DC 12-48 V	14,000	12.5" x 9.45" x 6.5"	17.4lbs
GI-EPA-C400HO-C1D2	150W	AC 100-277 V DC 12-48 V	21,000	14.9" x 9.1" x 10.6"	22.6lbs
GI-EPA-C400HO-480C1D2	150W	AC 200-480 V	21,000	14.9" x 9.1" x 10.6"	22.6lbs
GI-EPA-C1000EC-C1D2	200W	AC 100-277 V DC 12-48 V	28,000	14.9" x 9.1" x 10.6"	22.6lbs
GI-EPA-C1000-C1D2	300W	AC 100-277 V DC 12-48 V	42,000	14.9" x 9.1" x 10.6"	34.5lbs
GI-EPA-C1500-C1D2	400W	AC 100-277 V DC 12-48 V	56,000	18.6" x 13.8" x 10.2"	34.5lbs

Classifications



Marking UL844 (North American)
Class I, Division 2, Groups A, B, C, D
Class II, Division 1, Groups E, F, G
Class III, Division 2, Groups F, G
Class III



Marking ATEX
II 3 G Ex ec IIC T3 Gc
II 2 D Ex tb IIIC T103°C Db
II 2 G Ex mb eb IIC T3 Gb
II 2 D Ex tb IIC T125°C Db



Marking IECEx



Ex ec IIC T3C Gc
Ex tb IIIC T**°C Db
Ex mb eb II C T3C Gb
Ex tb IIC T125°C Db



Marine Marking
UL 1598, UL1598A, ABS
Other Rating
IP66, IK08



Features

- ▶ Rated for high temperatures, humidity, dust and vapor locations
- ▶ Light weight design
- ▶ Heavy duty & high impact resistant
- ▶ 0-10V Dimmable
- ▶ 100,000 Hour lifespan
- ▶ Various installation options for particular applications
- ▶ 10kVA Surge protection

Distributional Diagram

Center Beam fc	Beam Width	
4ft	683fc	11ft
8ft	170fc	21ft
12ft	73fc	32ft
16ft	39fc	43ft
20ft	26fc	53ft

■ Vert, Spread; 120°
■ Horiz, Spread; 120°

- 1.)
- 2.)
- 3.)
- 4.)
- 5.)
- 6.)
- 7.)
- 8.)
- 9.)
- 10.)
- 11.)

Optional mounts

Accessories Part Number	Description
1.) GI-ACC-EPSMA	Surface Mounting Arm
2.) GI-ACC-EP25S	25° Pole Support
3.) GI-ACC-EP90WJB	90° Wall Support & Junction Box
4.) GI-ACC-EP25WS	25° Wall Support
5.) GI-ACC-EP90S	90° Pole Support
6.) GI-ACC-EPSF-AB	Slipfitter for up to 150W

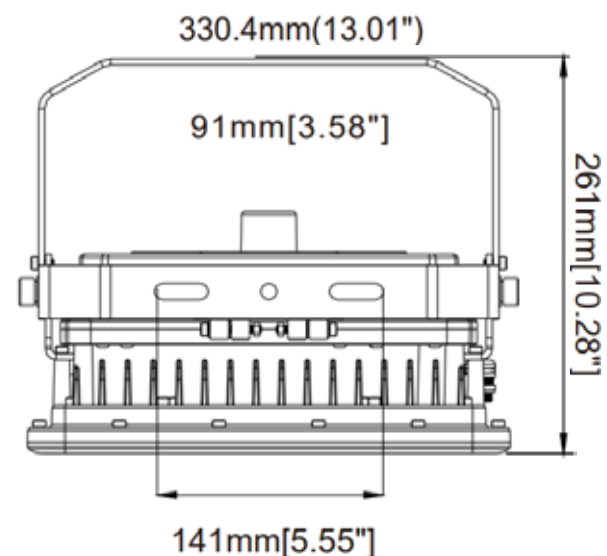
Optional accessories

Accessories Part Number	Description
7.) GI-ACC-EPC	Pendant Chain
8.) GI-ACC-EPH	Hook Mount
9.) GI-ACC-EPSSP	Straight Swing Pipe
10.) GI-ACC-EPPB	Bended Pipe
11.) GI-ACC-EPJB	Junction Box
12.) GI-ACC-EPED15	15W Emergency driver + controller (for 300W-400W)
13.) GI-ACC-EPEDK15	15W Emergency back-up kit (for 60W - 200W)
14.) GI-ACC-EPED15C	Conduit for 15W Emergency back-up kit
15.) GI-ACC-EPAWG	Wire Guard
16.) GI-ACC-EPPS	Photocell Sensor

Included accessories

Accessories Part Number	Description
17.) GI-ACC-EPUB	U-bracket / Trunion

- 12.)
- 13.)
- 14.)
- 15.)
- 16.)
- 17.)



Not all product variations listed on this page may be DLC qualified. Visit www.designlights.org/search to confirm qualification.

