

G3 Plus Emergency T8 (For Always-On Applications) **ALEDDRA**



Features

- 2-in-1 tube: regular T8 tube with backup battery
- Built-in lithium batteries
- Fully automatic self-testing: 30-second test monthly and 90-minute test annually
- Fully automatic self-diagnosis with flashing indicator if the battery time drops below 90 minutes
- Easy battery shutoff switch for a long stocking time
- Anti-electric shock safety switches - patented
- Manual testing button
- Patented (for details, please click here.)

Product Compliance & Certifications:

- ETL certified for Type B (ballast bypass)
- 90 minutes battery time per industry standard

* The Emergency Tube meets the performance requirements of UL924 but not UL924 certified because it is an attachable emergency lighting equipment.

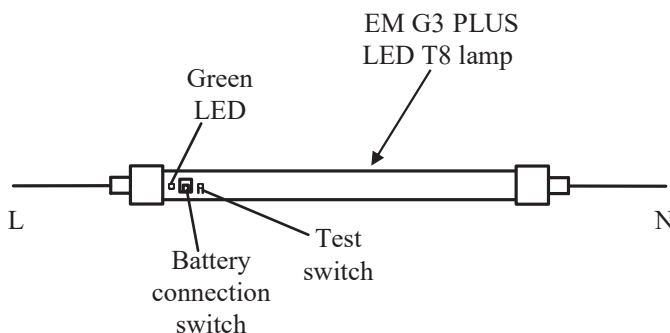
Specifications

Color Temperature	3500K, 4000K, 5000K
Wattage	8W (2ft) / 15W (4ft)
Length	2ft / 4ft
CRI	>80
Input Voltage	AC120-277V
Light Output	960lm (2ft), 1800 lm (4ft)
LED Type	SMD2835
Power Factor	>0.92
Luminous Efficiency	>120lm/W
Battery Backup Time	90 minutes
Battery Operating Temperature	68°F to 104°F
Light Output When on Battery	420 lm at 3.5W
Rated Hours	50,000 hours
Warranty	5-year *

Description

Aleddra's G3 Plus Emergency LED T8 Tube is a 2-in-1 tube that can be used as a regular T8 lamp and automatically draws power from its built-in battery and lasts more than 90 minutes on battery at 420lm. It is double-end wired on line voltage (ballast bypass). It is required to operate on an always-on circuit in order to keep the battery charged at all time. It comes with dual safety switches on both end caps. More importantly, the lamp will automatically self-test for 30 seconds monthly and for 90 minutes annually, thus meeting the emergency lighting audit requirements with no labor cost. Should any malfunction be detected during self-testing, such as insufficient battery capacity, the warning indicator on the lamp will flash and alert the team. With its labor saving, the lamp gives the end user the best return on investment and the best emergency lighting option.

Wiring Diagram



Ordering Information

Product Model #	Wattage	Color	length
LLT-4-EM-T8-G3PLUS-15W-35K	15W	3500K	4ft
LLT-4-EM-T8-G3PLUS-15W-40K	15W	4000K	4ft
LLT-4-EM-T8-G3PLUS-15W-50K	15W	5000K	4ft
LLT-2-EM-T8-G3PLUS-8W-35K	8W	3500K	2ft
LLT-2-EM-T8-G3PLUS-8W-40K	8W	4000K	2ft
LLT-2-EM-T8-G3PLUS-8W-50K	8W	5000K	2ft

* No Aleddra Emergency tubes can be used with an emergency or standard ballasts. The existing ballasts must be removed or by-passed.

* The 5-year warranty is provided under the assumption of performing no more than two 90-min battery discharge tests annually over five years. The warranty is void if performing more than ten 90-min battery discharge tests in five years.