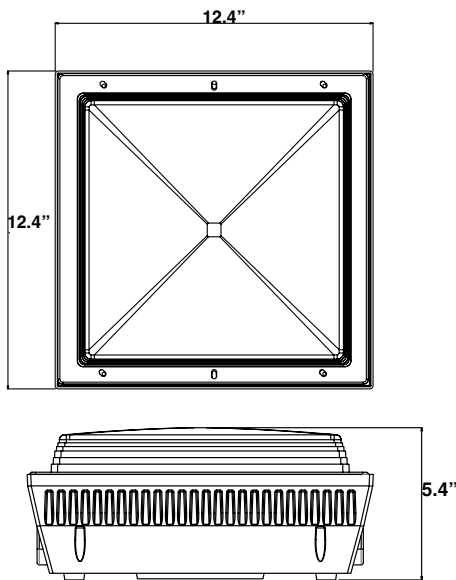


LED GARAGE & CANOPY LUMINAIRE
CP SERIES



DIMENSIONS:



PRODUCT DESCRIPTION:

The surface mounted canopy fixture, with a shatter- and UV-resistant polycarbonate lens, can be mounted to a J-box or directly to non-combustible surfaces. The LEDs are proprietary binned for color consistency, highlighting a 95 percent power factor and 120° beam angle LED.

FEATURES:

- 25W replaces up to 150 watt metal halide
- 40W replaces up to 175 watt metal halide
- 55W replaces up to 250 watt metal halide
- Universal 120- 277V operation
- Maintenance free and constructed without any hazardous materials
- Dusk-to-dawn and occupancy sensor compatible
- Greater than 100,000 hour L70 lifetime at TM-21 standards, 25°C
- 0-10V dimming driver standard
- 5 Year Limited Warranty

CONTROLS:

120-277VAC Photocontrol:

Universal Voltage photocontrols power the fixture when light levels reach 20 lux or below, and turn it off at 30 lux or higher. The operating temperature of the photocontrols are -30°F-120°F. Photocell mounted externally.

Motion/Daylight Sensor:

0-10V passive infrared-based motion sensor with integral photocontrol, allowing for two output states: 100% or 10/20/30/40/50% output. Detection area, hold time, daylight threshold, and dimming level can be adjusted via the accessible push-button. The operating temperature of the sensor is -40°F-161°F. At its maximum mounting height of 20 feet, the sensor can detect motion up to 35 feet away. The sensor is mounted externally and, embedded within fixture backhousing. For 24-hour operation where luminaire is always powered on, please combine motion/daylight sensor with photocell to turn fixture off during daylight hours.

PHOTOMETRICS:

All .IES files available online. Please see page 3 for Iso-footcandle layouts.

MODEL SELECTION (Full list of order codes on pg. 2)			Typical order example: CP40AUTP50B				
CP		A	U		50	B	
FAMILY	WATTAGE, EQUIVALENCY	GENERATION	VOLTAGE	DISTRIBUTION	CCT	FINISH	OPTIONS
CP= Canopy	25= 25W, replaces up to 150W MH 40= 40W, replaces up to 175W MH 55= 55W, replaces up to 250 W MH	A= Generation A	U= 120-277V	TP= Parking Garage Distribution TC= Canopy Distribution	50= 5000K	B= Bronze, std	(BLANK)= None 100= 120V Photocell 300= Internal Battery Backup ¹ 400= Motion/Daylight Sensor (Hi/Low)

¹In the event of a power failure, the battery backup units switch to emergency mode (1250 lumens output) and operates the fixture for a minimum of 90 minutes.

SPECIFICATIONS:

		CP25AUTX50XXX	CP40AUTX50XXX	CP55AUTX50XXX
ITEM	SPECIFICATION	DETAILS		
GENERAL PERFORMANCE	Distribution	Parking Garage, Canopy		
	Input Power (W)	25	39	52
	Lumens Delivered Parking Distribution (lm)	2,650	4,015	4,990
	Lumens Delivered Canopy Distribution (lm)	2,795	4,290	5,290
	Efficacy (lm/W)	106-111	100-110	95-101
	Color Temperature	5000K		
	CRI	≥80		
	Lumen Maintenance (L70, TM-21 @ 25° C)	≥100,000		
ELECTRICAL	Input Voltage	120-277V		
	Power Factor (277V)	>0.95		
PHYSICAL	Housing	Powder-coated painted aluminum		
	Lens	High-impact, UV-resistant polycarbonate		
	Operating Temperature	-30°F to 122°F/-34°C to 50°C (Internal Battery Backup models limited to: 32°F to 95°F/0°C to 35°C)		
	Humidity	20-85% RH, non-condensing		
	Weight	5.25 lbs (2.38 kg)		
QUALIFICATION	Qualification	LM-79, FCC, cETLus, T24 compliant	LM-79, FCC, cETLus, T24 compliant	
	Environment	Outdoor, wet location		
	Warranty	5 Years		

ORDERING*:

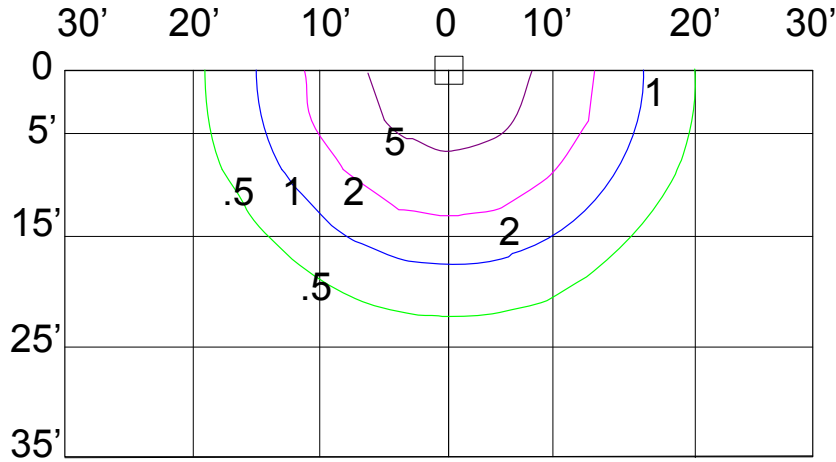
ORDER CODE	MODEL	NOMINAL WATTAGE	INPUT VOLTAGE	COLOR TEMPERATURE (CCT)
100456	CP25AUTP50B	25	120-277V	5000K
99910	CP40AUTP50B	40		
99911	CP55AUTP50B	52		
101055	CP25AUTC50B	25		
101093	CP40AUTC50B	40		
101132	CP55AUTC50B	52		

Lighting layouts and spacing criteria available upon request

*Please contact your MaxLite representative to order products that don't have order codes listed here.

PHOTOMETRICS:

CP25AUTC50B400

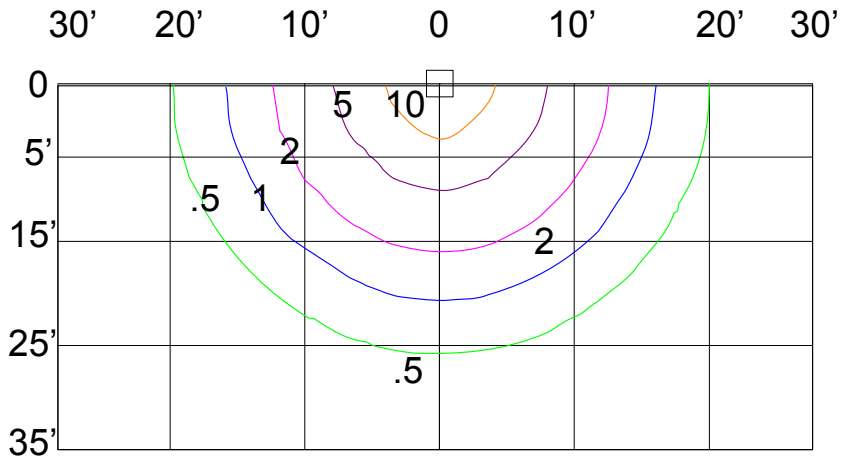


CP25AUTC50B400
2,650 Lumens
10' Mounting Height

Foot-candle Correction Factor:

New Height:	10'	15'	20'	25'
Multiply by:	1	0.45	0.25	0.15

CP40AUTC50B400

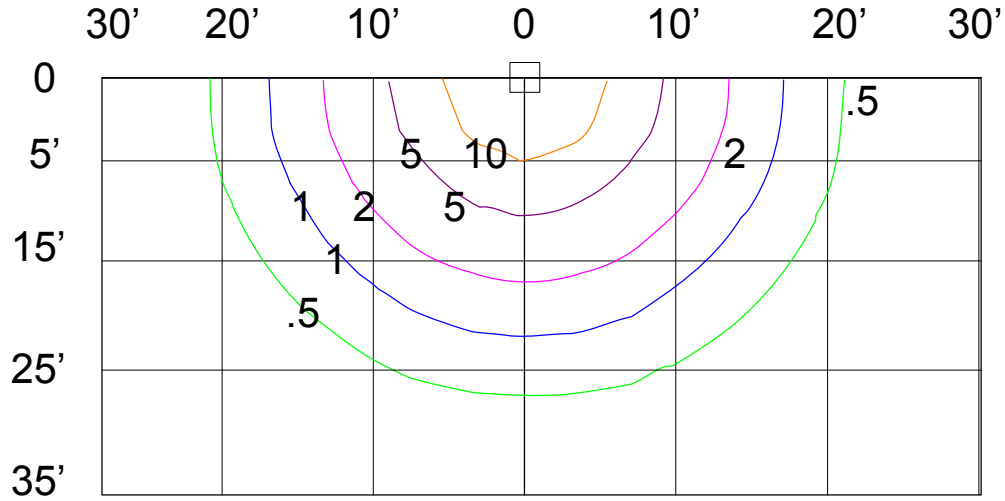


CP40AUTC50B
4,015 Lumens
15' Mounting Height

Foot-candle Correction Factor:

New Height:	10'	15'	20'	25'
Multiply by:	2.25	1	0.56	0.36

CP55AUTC50B400



CP55AUTC50B400
4,990 Lumens
10' Mounting Height

Foot-candle Correction Factor:

New Height:	10'	15'	20'	25'
Multiply by:	2.25	1	0.56	0.36