



**ENERGETIC**  
L I G H T I N G

Project:		Catalog #:		Type:	
----------	--	------------	--	-------	--

Prepared by:		Notes:		Date:	
--------------	--	--------	--	-------	--

## EXEM-A-W Series

LED Emergency Light



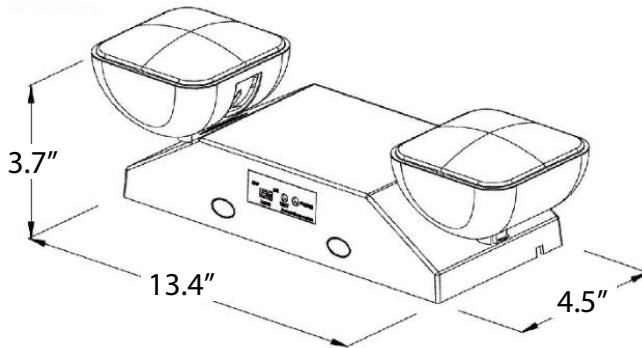
### KEY FEATURES

- Dual 1.2W fully adjustable lampheads
- Wall and ceiling mounting options
- Suitable for use in damp locations
- Durable injection molded ABS housing body
- Meets UL924 Listing requirements
- 90 minute battery runtime
- Meets NFPA 101 Life Safety Code, NED, OSHA requirements
- 2.4W, 120/277Vac 60Hz rating
- 5-Year Warranty



### Weights/Dimensions

Item	Length (in.)	Width (in.)	Depth (in.)	Weight (lbs.)
EXEM-A-W	13.4	4.5	3.7	TBA



### Stock Ordering Information and Specifications

Catalog Logic	Order #	Voltage	Wattage	Runtime	Color	Temp	Certification
EXEM-A-W	56022	120/277Vac	2.4 W	90 mins.	White	-32° F to 104° F	UL/CUL