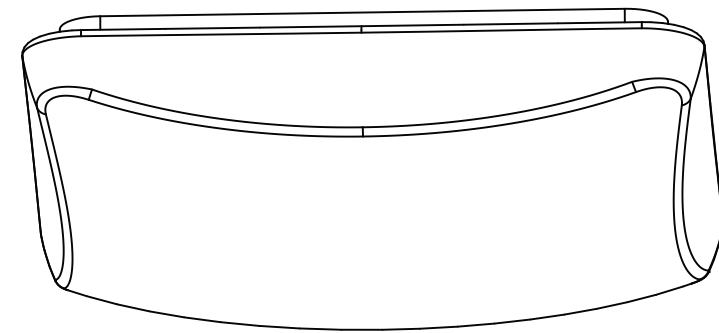


CCT Selectable Square Flushmount Ceiling Fixture

Installation Instructions

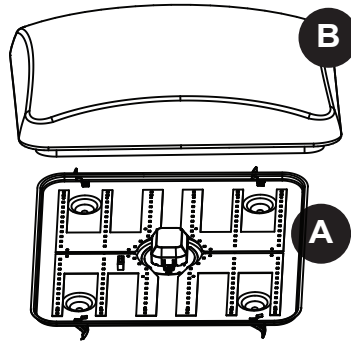


ATTACH YOUR RECEIPT HERE

Item Number _____ Purchase Date _____

Questions, problems, missing parts? Before returning to your retailer, call our customer service department at 1-866-492-6566.

PACKAGE CONTENTS



Part	Item Name	Qty.
A	Fixture Pan	1
B	Diffuser	1

HARDWARE CONTENTS (shown actual size)

AA



Short Screw
Qty. 2

BB



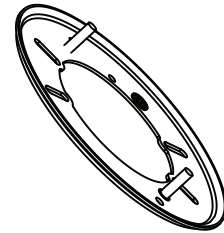
Thumb Nut
Qty. 2

CC



Wire Nut
Qty. 3

DD



Crossbar
(Not to scale)
Qty. 1

SAFETY INFORMATION

Please read and understand this entire manual before attempting to assemble, operate or install the product. Failure to do so could lead to electric shock, fire or other injuries that could be hazardous or even fatal.

- Be sure the electricity to the wires you are working on is shut off. Either remove the fuse or turn off the circuit breaker.
- Changes or modifications not expressly approved by the party responsible for compliance could void the user's authority to operate the equipment.
- This fixture can be used with most dimmers to create your desired ambience with smooth dimming down to 10% of full light output.

CAUTION:

- The fixture body is one piece. Do not disassemble it.

NOTICE

- This device complies with Part 15 of the FCC Rules. Operation is subject to the following two conditions: (1) This device may not cause harmful interference, and (2) this device must accept any interference received, including interference that may cause undesired operation.

SAFETY INFORMATION

NOTICE

- This equipment has been tested and found to comply with the limits for a Class B digital device, pursuant to part 15 of the FCC Rules. These limits are designed to provide reasonable protection against harmful interference in a residential installation. This equipment generates, uses and can radiate radio frequency energy and, if not installed and used in accordance with the instructions, may cause harmful interference to radio or television reception, which can be determined by turning the equipment off and on. The user is encouraged to try to correct the interference by one or more of the following measures:
 - Reorient or relocate the receiving antenna.
 - Increase the separation between the equipment and the receiver.
 - Connect the equipment into an outlet on a circuit different from that to which the receiver is connected.
 - Consult the dealer or an experienced radio/TV technician for help.

PREPARATION

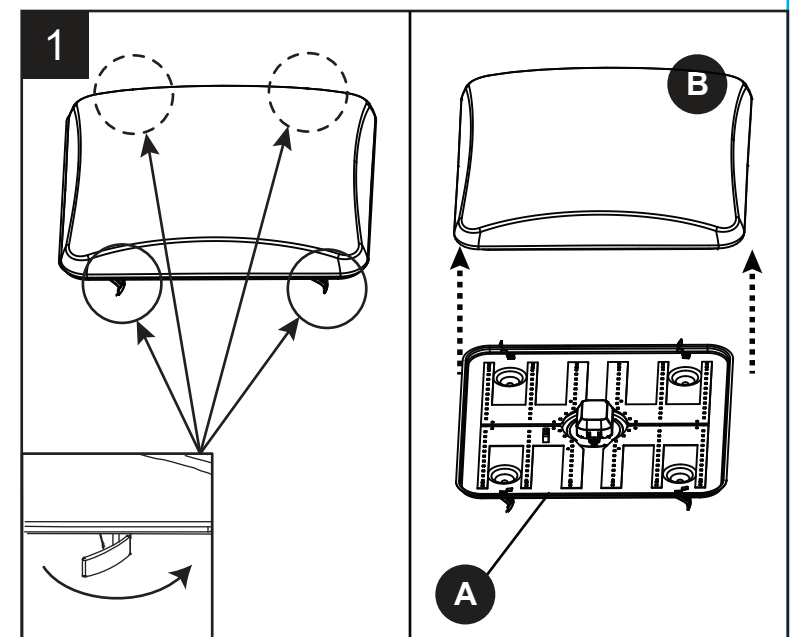
Before beginning assembly of product, make sure all parts are present. Compare parts with package contents list and hardware contents list. If any part is missing or damaged, do not attempt to assemble the product.

Estimated Assembly Time: 15 minutes

Tools Required for Assembly (not included): Phillips Screwdriver

INSTALLATION INSTRUCTIONS

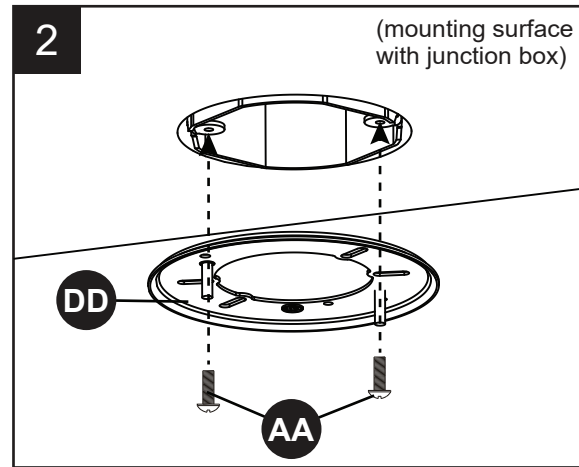
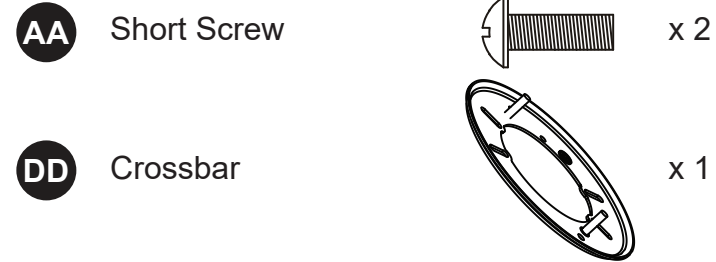
1. Release the two diffuser latches around the edge of the fixture pan (A) base by gently pulling the lever out as shown. Once diffuser is unlocked, lift diffuser (B) away from fixture pan (A) and set aside.



INSTALLATION INSTRUCTIONS

2. Attach crossbar (DD) to outlet box (not included) in mounting surface using short screws (AA).

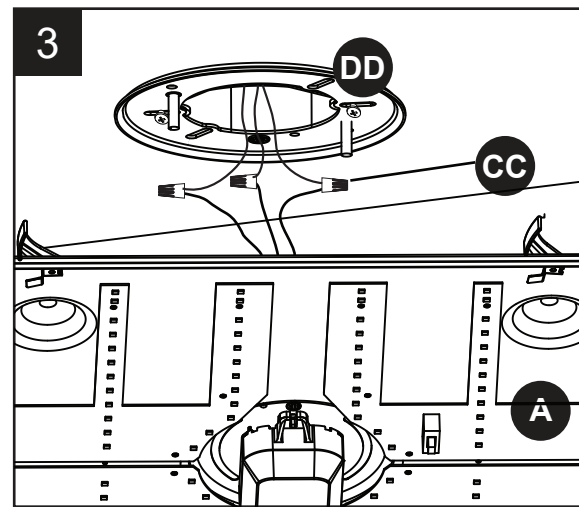
Hardware Used



3. Connect the fixture wires to the supply wires -- black to black, white to white, and green to copper/bare. **WARNING:** If there is no ground supply wire, stop installation and consult a qualified electrician.

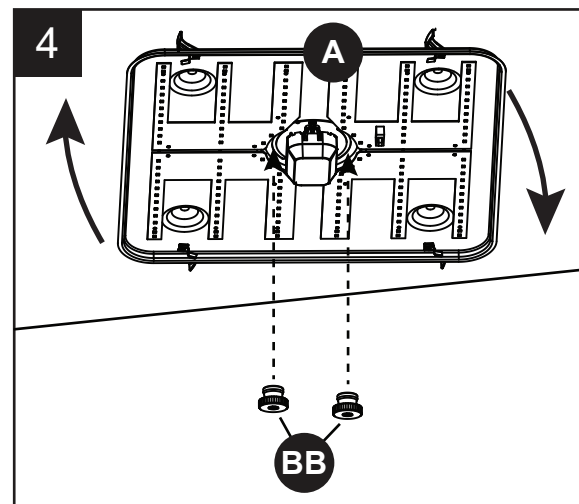
Once wire connections are made, secure each with a wire nut (CC).

Hardware Used



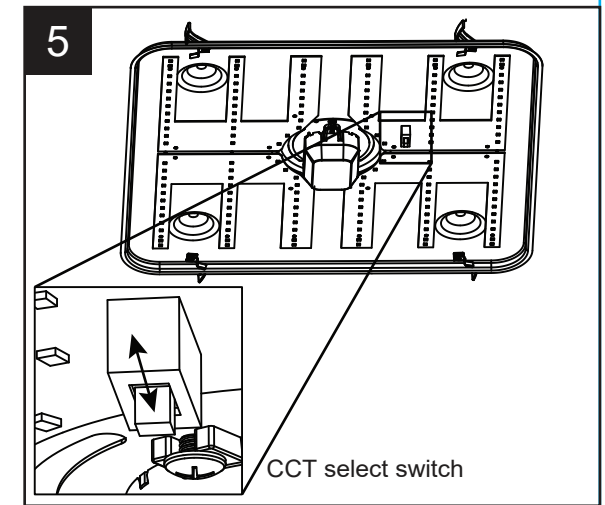
4. Bring fixture pan (A) up to the junction box while carefully tucking in the wires into junction box. Pass the two threaded stud posts on crossbar (DD) through the curved slot opening on fixture pan (A). Position the fixture by turning the body to the desired mounting angle on mounting surface and secure fixture by threading thumb nut onto crossbar posts until snug.

Hardware Used

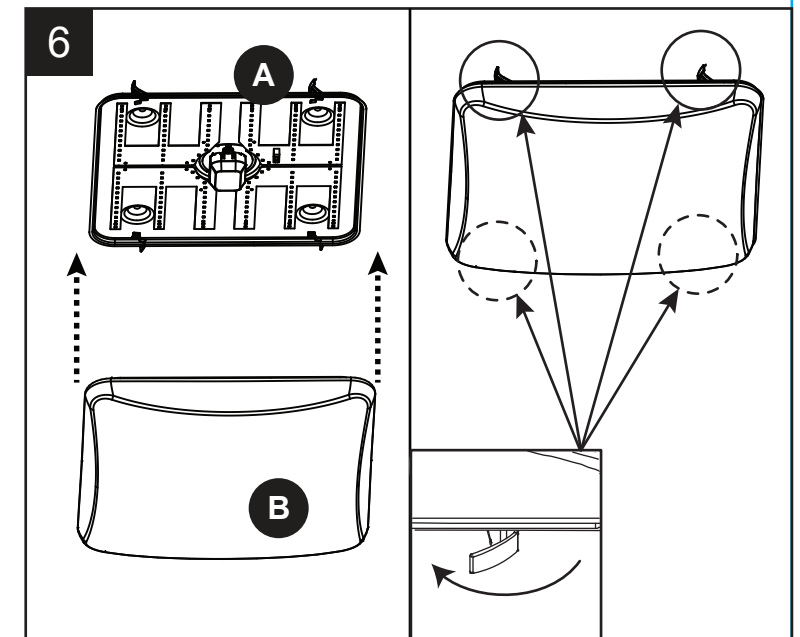


INSTALLATION INSTRUCTIONS

5. This fixture allows the correlated color temperature (CCT) of the LEDs to be adjusted from warm white to cool white as desired. Before proceeding to the next step, the CCT switch should be set to the desired position by moving the toggle switch through the range of detents or clicks.



6. Align the diffuser (B) over the fixture plate (A) and gently close the two diffuser locks by turning the levers in towards the fixture. Ensure that the diffuser is fully supported and secured to fixture plate before releasing and completing the installation.



CARE AND MAINTENANCE

Clean with a mild, non-abrasive glass cleaner and soft cloth. Do NOT use solvents or cleaners containing abrasive agents. When cleaning the fixture, make sure the power is turned off, and any liquid spray should be applied to the cleaning cloth and not sprayed directly onto the fixture itself.

TROUBLESHOOTING

PROBLEM	POSSIBLE CAUSE	CORRECTIVE ACTION
Fixture does not light.	1. Power is off. 2. Incorrect wire connection. 3. Defective wall switch.	1. Check circuit breaker or wall switch. 2. Check wire splices. 3. Replace switch.
Circuit breaker trips when light is turned on.	Crossed wires or power wire is grounded out.	Verify wires are correctly connected.

WARRANTY

This fixture is warranted to perform free from defects for five (5) years. If it fails to do so, you may return it with proof of purchase to 13445 12th St., Chino, CA 91710 for replacement.