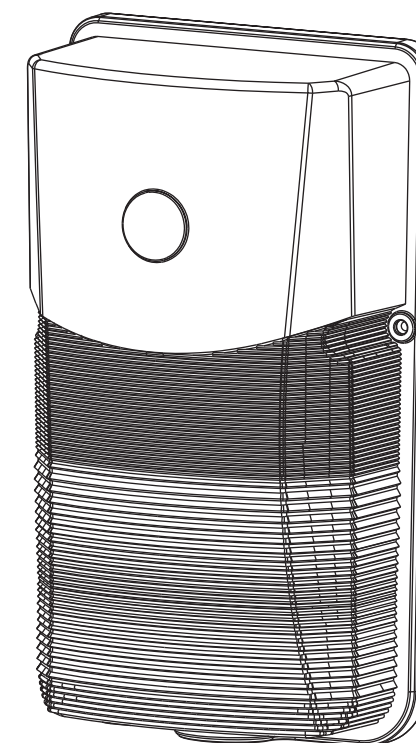




LED Wall Pack

*CCT & Wattage Selectable feature
Installation Instructions*

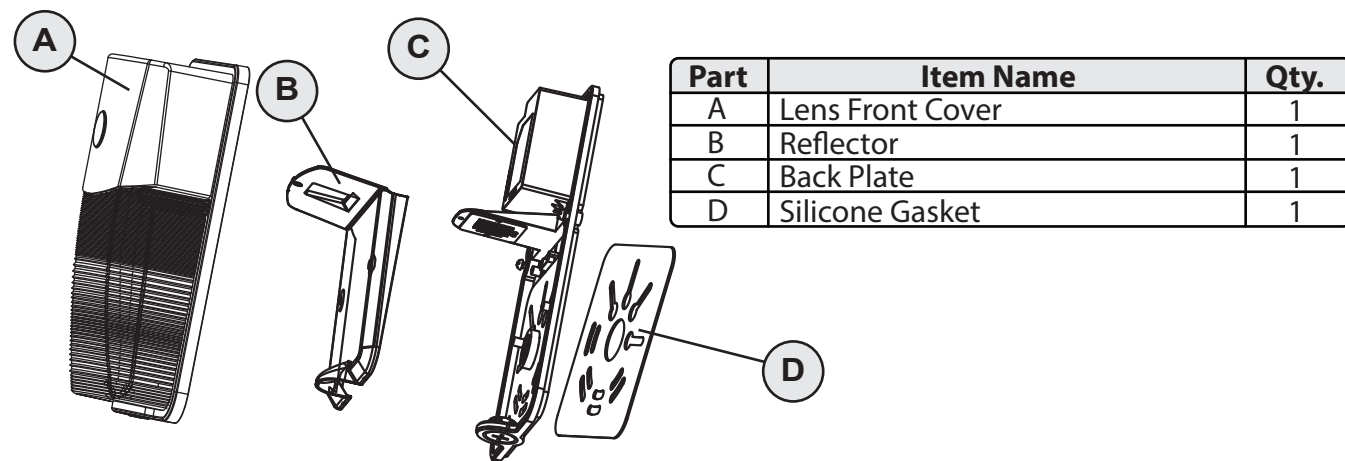


ATTACH YOUR RECEIPT HERE

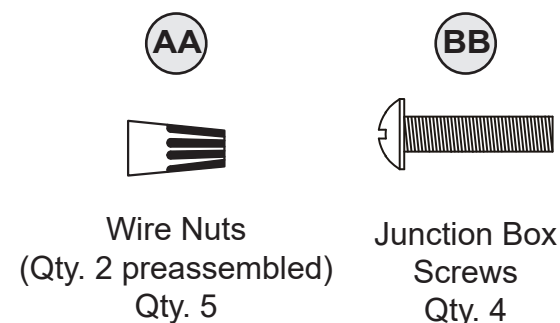
Item Number _____ Purchase Date _____

Questions, problems, missing parts? Before returning to your retailer, call our customer service department at 1-866-492-6566.

PACKAGE CONTENTS



HARDWARE CONTENTS



SAFETY INFORMATION

Please read and understand this entire manual before attempting to assemble, operate or install the product. Failure to do so could lead to electric shock, fire or other injuries that could be hazardous or even fatal.

- Be sure the electricity to the wires you are working on is shut off. Either remove the fuse or turn off the circuit breaker.
- Changes or modifications not expressly approved by the party responsible for compliance could void the user's authority to operate the equipment.
- This product must be installed in accordance with the applicable installation code by a person familiar with the construction and operation of the product and the hazards involved.

CAUTION:

- This product can be dimmed using a triac dimming system only.
- Suitable for wet locations.
- Wall mount only.

NOTICE

- This device complies with Part 15 of the FCC Rules. Operation is subject to the following two conditions: (1) This device may not cause harmful interference, and (2) this device must accept any interference received, including interference that may cause undesired operation.

SAFETY INFORMATION

- This equipment has been tested and found to comply with the limits for a Class B digital device, pursuant to part 15 of the FCC Rules. These limits are designed to provide reasonable protection against harmful interference in a residential installation. This equipment generates, uses and can radiate radio frequency energy and, if not installed and used in accordance with the instructions, may cause harmful interference to radio or television reception, which can be determined by turning the equipment off and on. The user is encouraged to try to correct the interference by one or more of the following measures:
 - Reorient or relocate the receiving antenna.
 - Increase the separation between the equipment and the receiver.
 - Connect the equipment into an outlet on a circuit different from that to which the receiver is connected.
 - Consult the dealer or an experienced radio/TV technician for help.
- This Class B digital apparatus complies with Canadian ICES-003.

PREPARATION

Before beginning assembly of product, make sure all parts are present. Compare parts with package contents list and hardware contents list. If any part is missing or damaged, do not attempt to assemble the product.

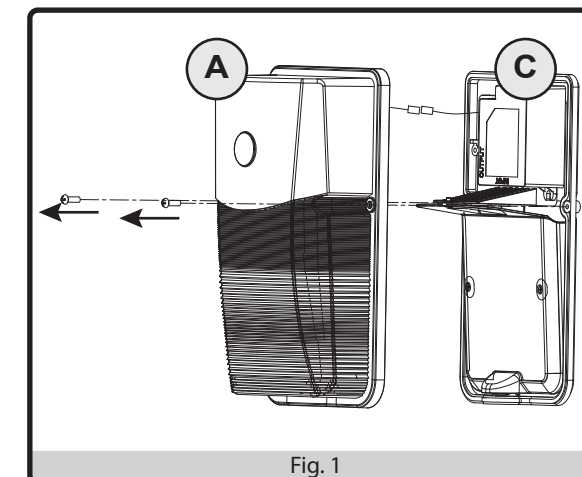
Estimated Assembly Time: 20 minutes.

Tools Required for Assembly (not included): Phillips screwdriver, flathead screwdriver, safety glasses, power drill and bits.

INSTALLATION INSTRUCTIONS

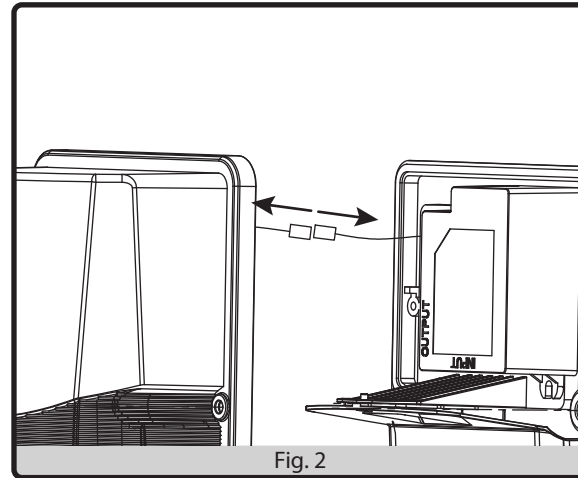
To ensure a safe and proper installation, ensure that power is disconnected to the supply wires.

1. Remove the two screws on both sides of the fixture to separate the front lens cover (A) and back plate (C).

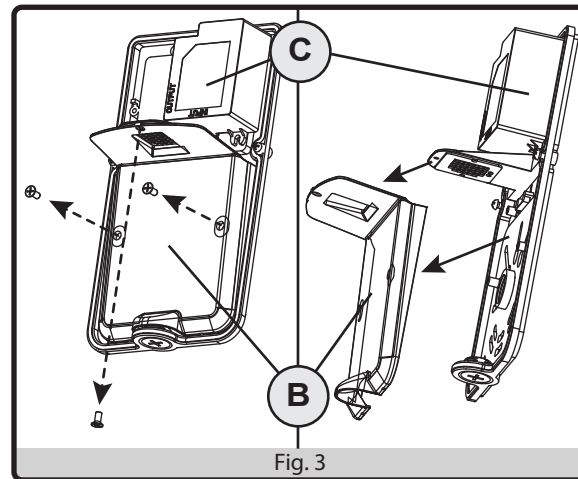


INSTALLATION INSTRUCTIONS

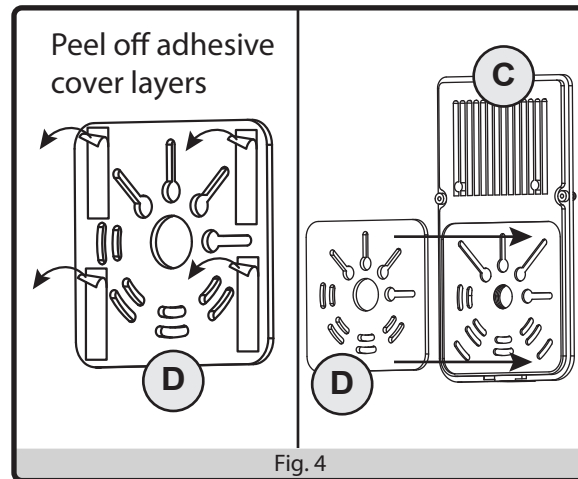
2. Disconnect the photocell wire connector and set aside the lens front cover (A).



3. Remove the three (3) screws in front of the reflector (B) and set the screws and reflector aside.



4. For proper installation in a wet location environment, peel off each of the adhesive protective layers from the silicone gasket (D) and line up the slot pattern to the back plate (C) to create a seal when installed onto the junction box in the next step.



INSTALLATION INSTRUCTIONS

5. Hold up the fixture back plate (C) to the junction box (not provided) and determine which set of slots line up with the mounting screw pattern provided by the junction box. For proper wet location install, ensure that silicone gasket (D) is installed between back plate (C) and mounting surface.

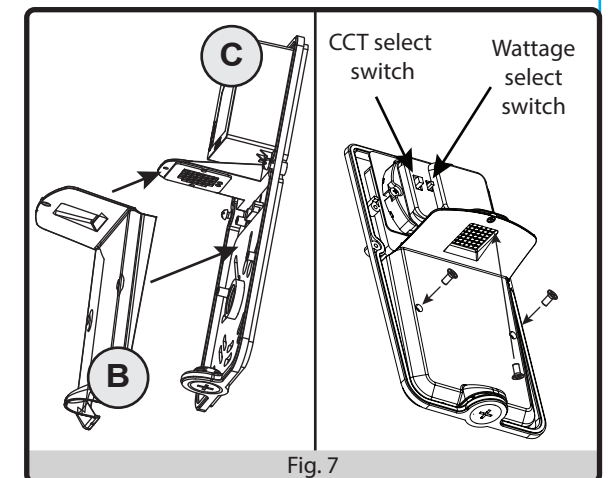
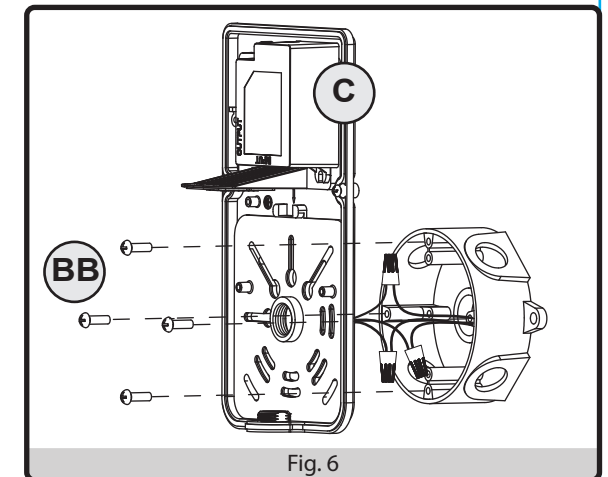
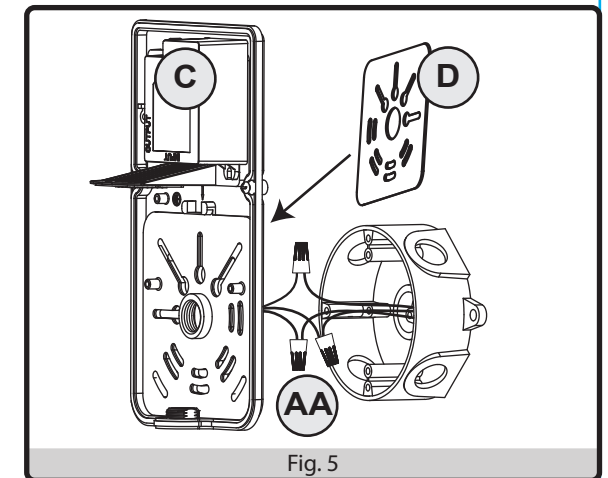
Ensure that power is shut off and connect the supply wires to the fixture wires -- black to black, white to white, and green to copper/bare.

WARNING: If there is no ground supply wire, stop installation and consult a qualified electrician. Once wire connections are made, secure each with a wire nut (AA).

6. Secure the fixture to the junction box using the necessary junction box screws (BB) provided to ensure proper mounting and seal around the junction box.

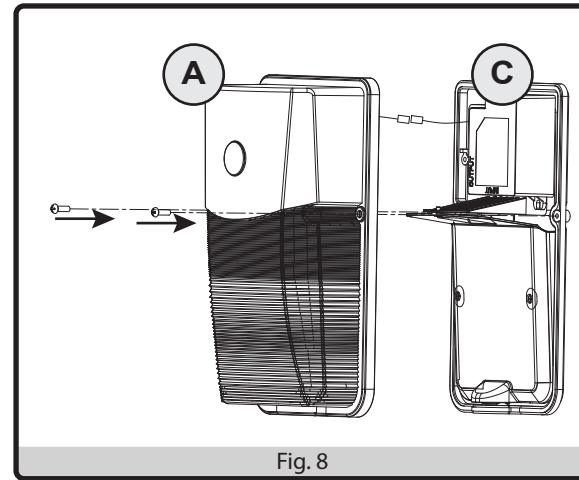
7. Retrieve reflector (B) and the three screws previously removed in step #3, and re-install the reflector (B) onto the back plate (C).

Optional: Select the desired correlated color temperature (CCT) as well as wattage using the slide switches on the center driver housing as shown.



INSTALLATION INSTRUCTIONS

8. Replace the lens front cover (A) using the original 2 screws previously removed in step #1 to complete the installation.



CARE AND MAINTENANCE

Clean with a mild, non-abrasive glass cleaner and soft cloth. Do NOT use solvents or cleaners containing abrasive agents. When cleaning the fixture, make sure the power is turned off, and any liquid spray should be applied to the cleaning cloth and not sprayed directly onto the fixture itself.

TROUBLESHOOTING

Problem	Possible Solution	Corrective Action
Fixture does not light.	1. Power is off. 2. Incorrect wire connection. 3. Defective wall switch.	1. Check circuit breaker or wall switch. 2. Check wire splices. 3. Replace switch.
Circuit breaker trips when light is turned on.	Crossed wires or power wire is grounded out.	Verify wires are correctly connected.

WARRANTY

This fixture is warranted to perform free from defects for five years. If it fails to do so, you may return it with proof of purchase to 13445 12th St., Chino, CA 91710 for replacement.