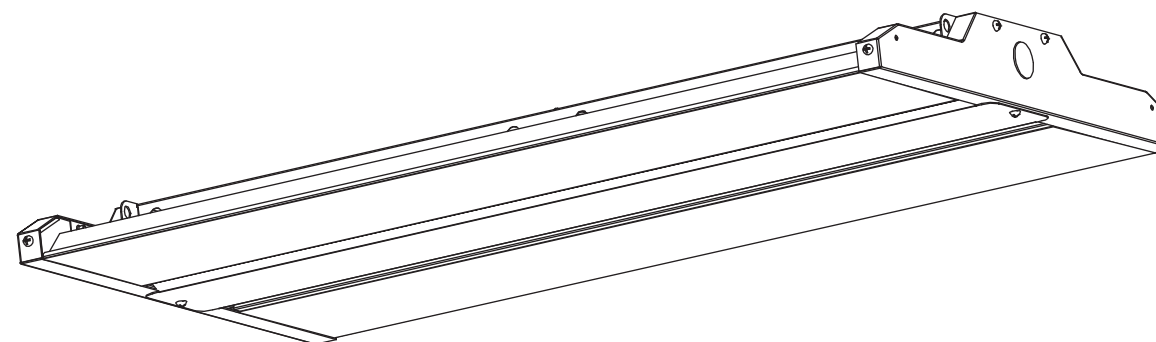


LED Linear Highbay Fixture

Installation Instructions

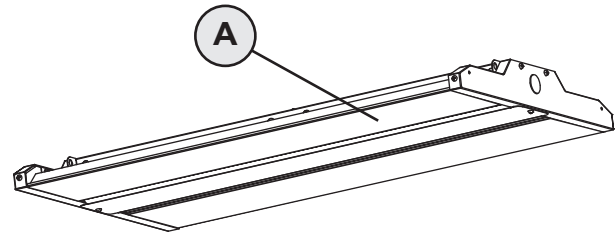


ATTACH YOUR RECEIPT HERE

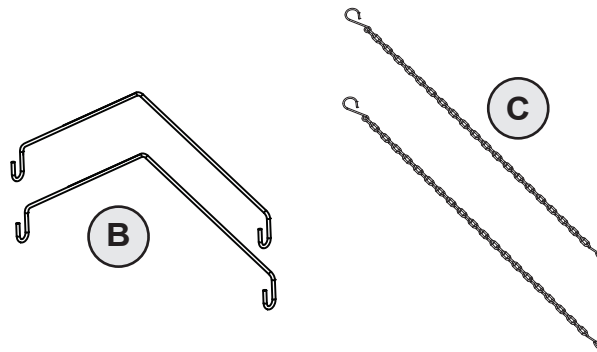
Item Number _____ Purchase Date _____

Questions, problems, missing parts? Before returning to your retailer, call our customer service department at 1-866-492-6566.

PACKAGE CONTENTS



Part	Item Name	Qty.
A	Fixture body	1
B	Hanging brackets	2
C	Hanging chains	2



SAFETY INFORMATION

Please read and understand this entire manual before attempting to assemble, operate or install the product. Failure to do so could lead to electric shock, fire or other injuries that could be hazardous or even fatal.

- Be sure the electricity to the wires you are working on is shut off. Either remove the fuse or turn off the circuit breaker.
- Changes or modifications not expressly approved by the party responsible for compliance could void the user's authority to operate the equipment.
- This product must be installed in accordance with local, state and national electrical codes.
- Installation work shall be completed by a licensed installer that is familiar with the construction and operations of the product.

CAUTION:

- The fixture body is one piece. Do not disassemble it.
- This product is dimmable only with 0-10v systems, do NOT install on a triac dimmer circuit.

NOTICE

- This device complies with Part 15 of the FCC Rules. Operation is subject to the following two conditions: (1) This device may not cause harmful interference, and (2) this device must accept any interference received, including interference that may cause undesired operation.

SAFETY INFORMATION

- This equipment has been tested and found to comply with the limits for a Class B digital device, pursuant to part 15 of the FCC Rules. These limits are designed to provide reasonable protection against harmful interference in a residential installation. This equipment generates, uses and can radiate radio frequency energy and, if not installed and used in accordance with the instructions, may cause harmful interference to radio or television reception, which can be determined by turning the equipment off and on. The user is encouraged to try to correct the interference by one or more of the following measures:
 - Reorient or relocate the receiving antenna.
 - Increase the separation between the equipment and the receiver.
 - Connect the equipment into an outlet on a circuit different from that to which the receiver is connected.
 - Consult the dealer or an experienced radio/TV technician for help.

PREPARATION

Before beginning assembly of product, make sure all parts are present. Compare parts with package contents list and hardware contents list. If any part is missing or damaged, do not attempt to assemble the product.

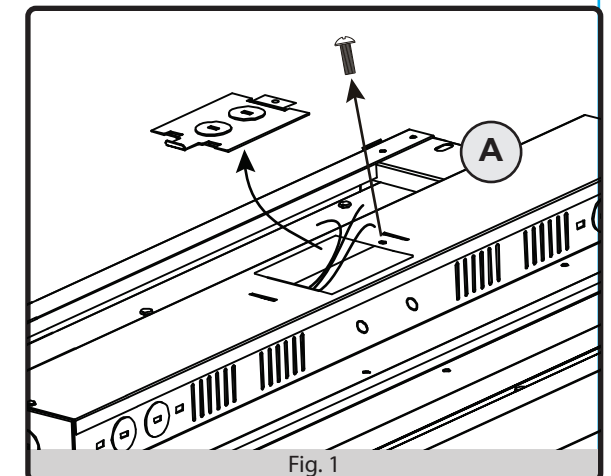
Estimated Assembly Time: 20 minutes.

Tools Required for Assembly (not included): Phillips screwdriver, flathead screwdriver, safety glasses.

INSTALLATION INSTRUCTIONS

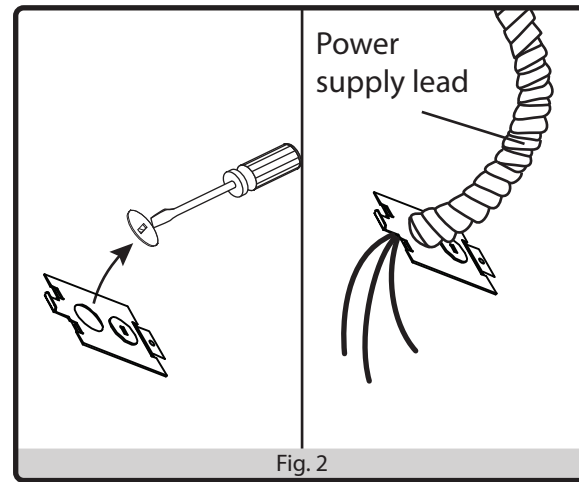
Before beginning installation, ensure that power is disconnected to the supply wires.

1. Locate the wiring compartment access panel on the back of the fixture body (A) and remove the screw to open the access panel, set screw aside.

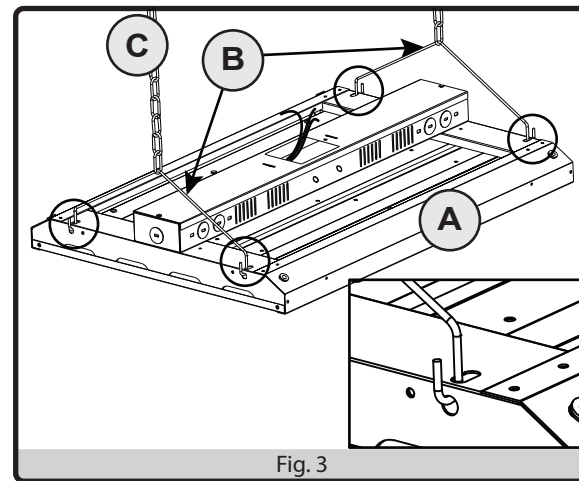


INSTALLATION INSTRUCTIONS

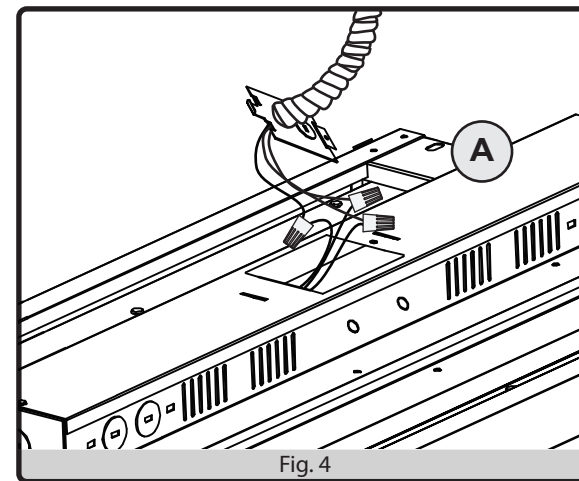
2. Remove conduit knockout on access panel, route supply pigtail leads through access panel and secure with appropriate conduit adapter (not supplied).



3. Loop the hanging chain (C) through each hanging bracket (B) and insert hook-end of hanging bracket (B) through mounting holes on each side of the fixture body (A). Secure the other end of the hanging chain (C) to a sturdy building structure or mounting hook, or loop around structural beam and hook back on chain links.

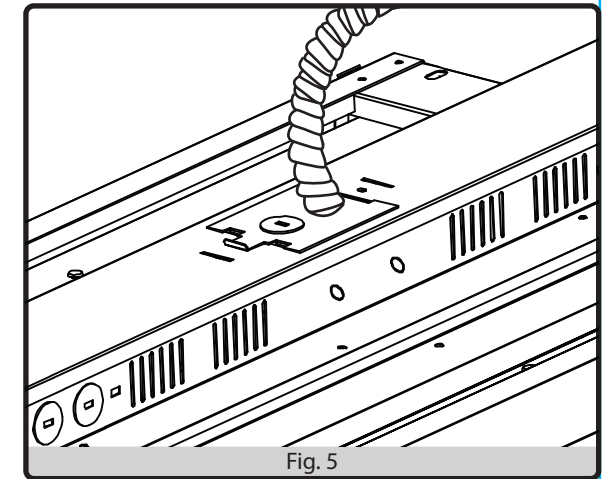


4. Connect power supply wire leads from access plate to input leads on fixture body inside access panel opening, black to black, white to white, and green to ground wire; secure each connection with wire nuts (not provided).



INSTALLATION INSTRUCTIONS

5. Tuck the wires carefully into the access compartment while closing the access panel, secure access panel with original screw to complete installation.



CARE AND MAINTENANCE

Clean with a mild, non-abrasive glass cleaner and soft cloth. Do NOT use solvents or cleaners containing abrasive agents. When cleaning the fixture, make sure the power is turned off, and any liquid spray should be applied to the cleaning cloth and not sprayed directly onto the fixture itself.

TROUBLESHOOTING

Problem	Possible Solution	Corrective Action
Fixture does not light.	1. Power is off. 2. Incorrect wire connection. 3. Defective wall switch.	1. Check circuit breaker or wall switch. 2. Check wire splices. 3. Replace switch.
Circuit breaker trips when light is turned on.	Crossed wires or power wire is grounded out.	Verify wires are correctly connected.

WARRANTY

This fixture is warranted to perform free from defects for five (5) years. If it fails to do so, you may return it with proof of purchase to 13445 12th St., Chino, CA 91710 for replacement.