

LED Area Light Instruction



Cautions:

- 1 Cannot use the electric generator to test the LED lamp.
- 2 Please abide by related country, regional and local law and regulations when installing this fixture.
- 3 To avoid electrical shock and damage, please do not install the lights in inclement weather.

Notices:

- 1 To prevent electric shock or fire risk, the installation must be conducted by an operator who has professional electrical knowledge.
- 2 Please wear gloves to avoid injury when installing lamps.
- 3 During or after installation, if there are situations such as smoke, fire in the wires or lamps, please turn off the power immediately and notify relevant personnel of an overhaul.
4. This light can be used for outdoor installation.

Instructions:

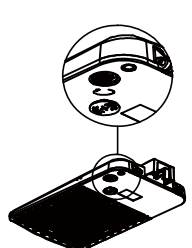
- 1 This product has dimming and non-dimming function, which differs in installation ways.
- 2 3 kind of dimming functions are available in this shoebox light:
 - 1) Constant current can be achieved by 0-10VDC dimming.
 - 2) PWM signal dimming.
 - 3) Variation of resistance unit dimming(Please choose the appropriate dimming way according to your needs. You can also choose not to use this function)
- 3 Choose the wire connection ways, dimming ways and installation ways according to your needs and the LED fixture purchased.

Parameters

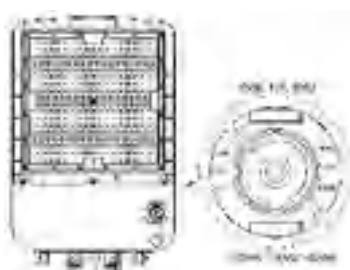
Model Number	JSAL-G2-14L-50K -UV-T3-BRZ-Z10R	JSAL-G2-21L-50K -UV-T3-BRZ-Z10R	JSAL-G2-28L-50K -UV-T3-BRZ-Z10R	JSAL-G2-33L-50K -UV-T3-BRZ-Z10R	JSAL-G2-42L-50K -UV-T3-BRZ-Z10R
Power	100W	150W	200W	240W	300W
Input Current	0,916A	1,375A	1,83A	2,2A	2,75A
CCT	"50K"				
Input Voltage	AC120-277V				
Frequency	50/60HZ				
Model Number	JSAL-G2-14ML28-30K/40K /50K-UV-T3-BRZ-Z10R		JSAL-G2-28ML42-30K/40K /50K-UV-T3-BRZ-Z10R		
Power(TCP/TP)	100W/150W/200W		200W/240W/300W		
Input Current(TCP/TP)	0.916A/1.375A/1.83A		1.83A/2.2A/2.75A		
CCT((TCP/TC))	30K-40K-50K				

CCT or Watts selected Operation Manual:


1. Remove the waterproof rubber cover cap.



2. Select the Wattage or CCT by using the slide switch.

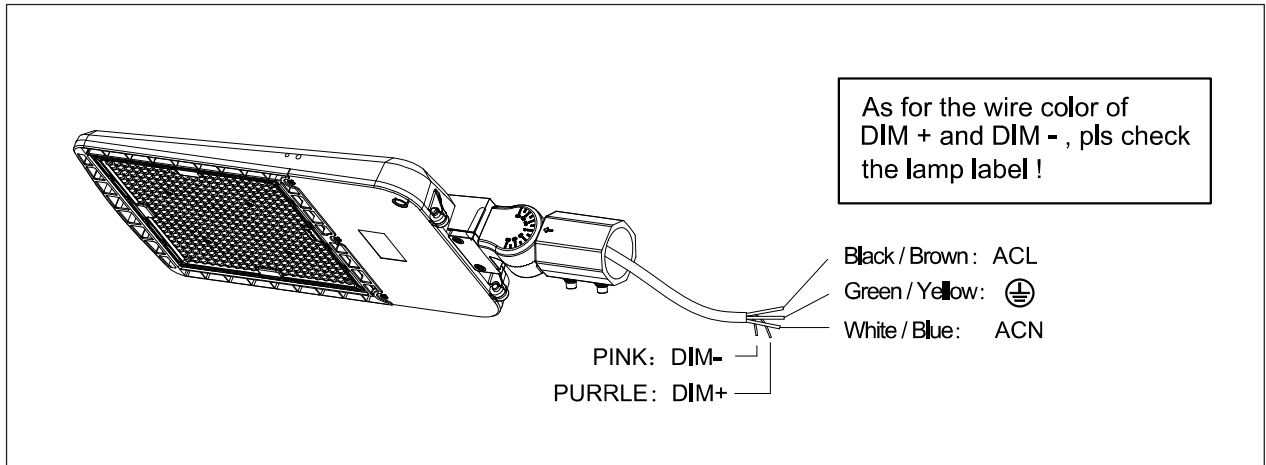


3. Resecure the waterproof rubber cover cap.



Tip: The above content is for reference only, please take the real thing as the criterion

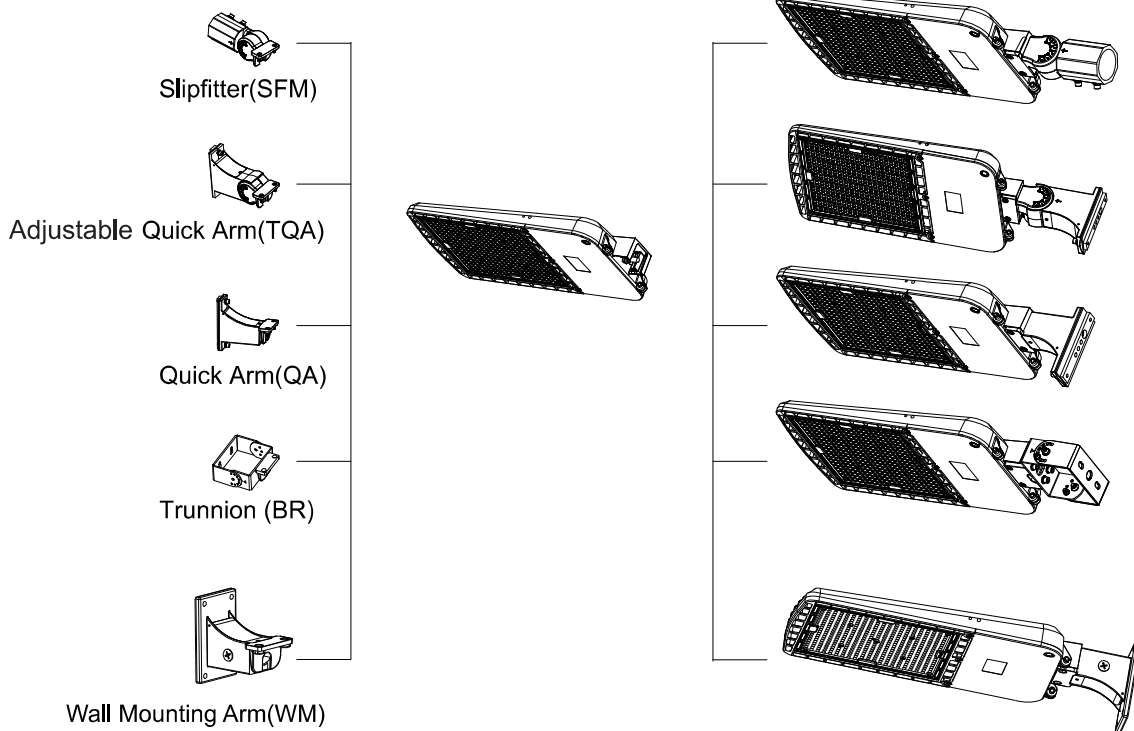
Wiring Diagram:



Optional Brackets and Installation Instructions

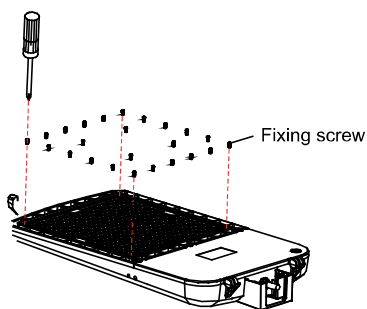
There are 8 optional brackets for this fixture.

The following is area light fixture with 5 standard brackets.

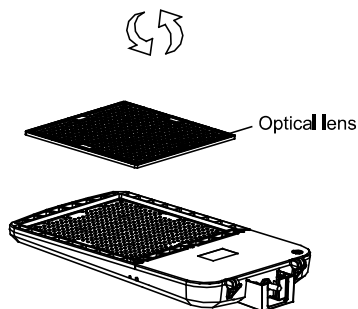


Operation Instruction of Rotating Optical Lens

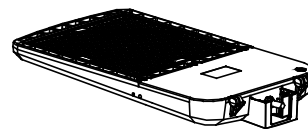
Step 1. First loosen the fixing screws on the lens screws (total 24PCS), as shown in the figure;



Step 2. Remove the optical lens, rotate it clockwise or counterclockwise to a desired angle, as shown in the figure;

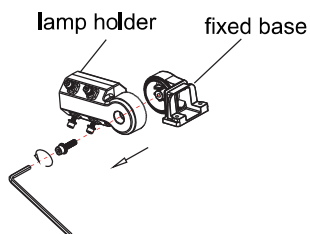


Step 3. Put back the adjusted optical lens, lock screws back, as shown in the figure.

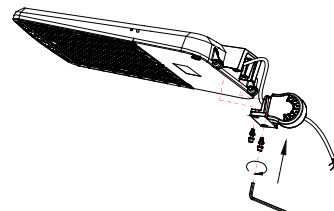


Slipfitter(SFM)

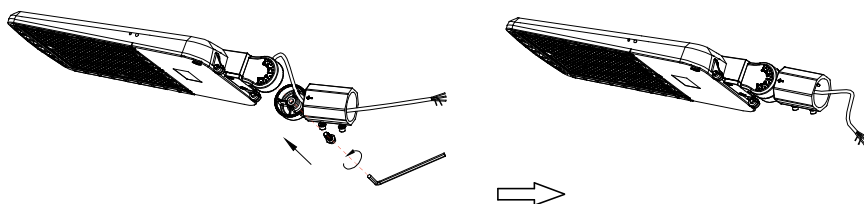
Step 1 : Disassemble the slip-fitter with a wrench.



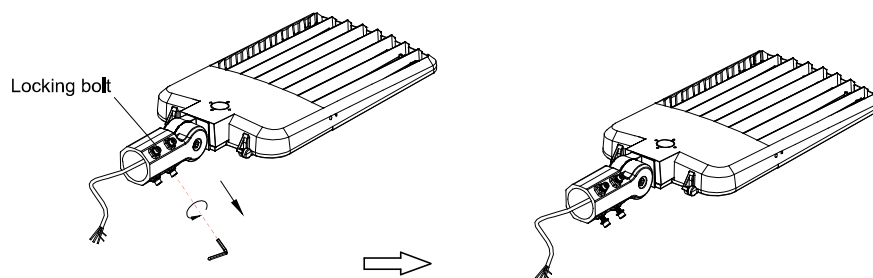
Step 2: Pass the fixture's AC input wires through the fixing base, then tighten screws to assemble fixing base to fixture body.



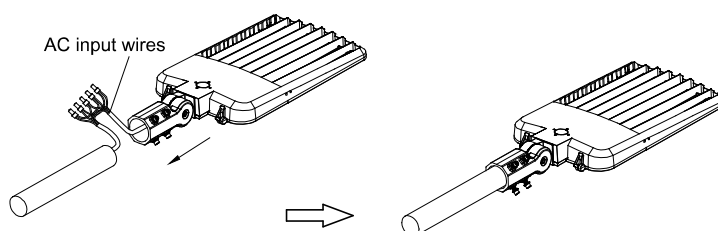
Step 3: Pass the fixture's input wires through the lamp holder and lock it.



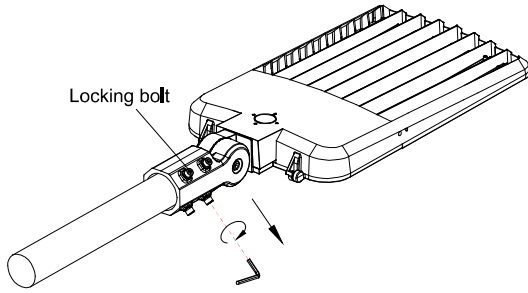
Step 4: Loosen the 4 locking bolts in the slipfitter bracket by a wrench.



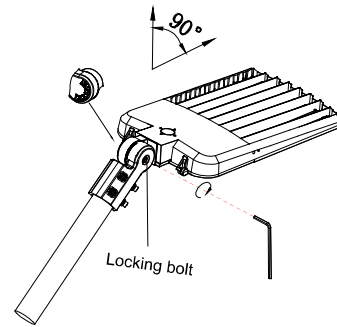
Step 5: Connect the fixture's AC input wires to pole-wires with connectors, L to L (black), N to N (White), PE to PE (Green); If need to connect dimming wires from the pole to fixture, please also use the connector to connect "Dim +"(purple) to "Dim +"(purple), "Dim -"(pink) to "Dim -"(pink).



Step 6: Tighten the 4 locking bolts back.

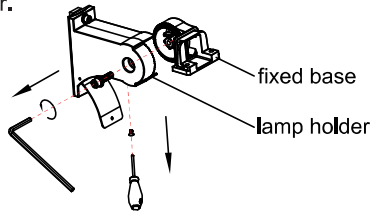


Step 7 :Loosen the locking bolt in the slip-fitter by a wrench to adjust fixture to a appropriate angle,adjustable angle range 90 then this locking bolt.

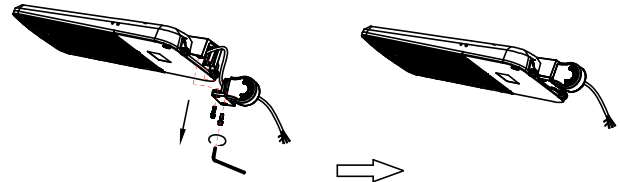


Adjustable Quick Arm for Square and Round Poles (TQA)

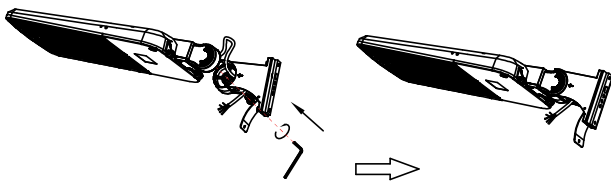
Step 1 : Disassemble the bracket with a wrench, open the cover on the lamp holder.



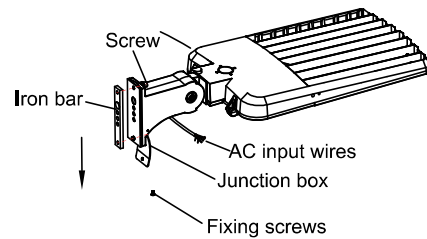
Step 2: Pass fixture's AC input wires through fixing base, tighten screws to assemble fixing base to fixture body.



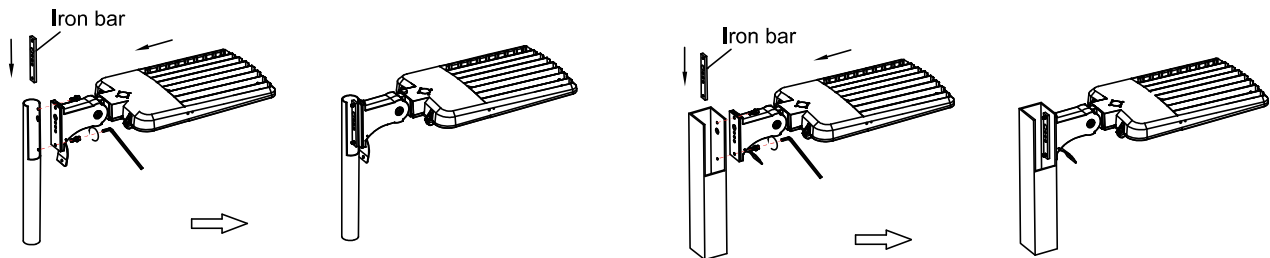
Step 3: Pass the fixture's input wires through the lamp holder and lock it.



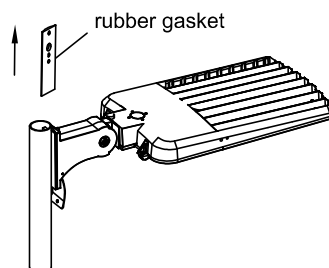
Step 4: Remove the screws with screwdriver, well set the installed iron bar, remove the screws to open the junction box cover, then pass fixture's AC input wires through junction box as shown in step 3.



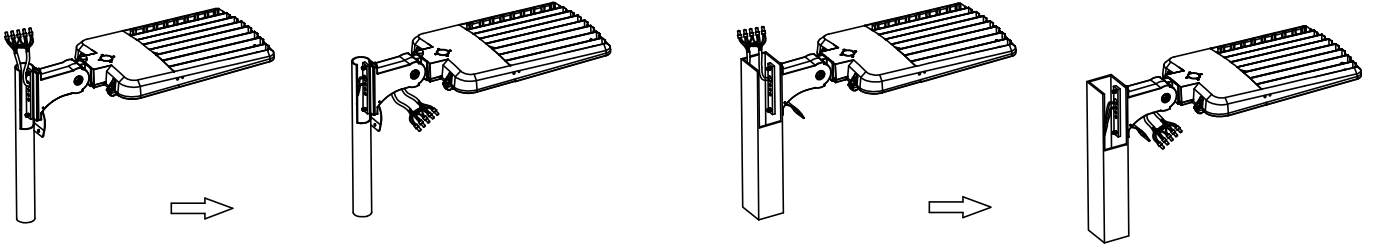
Step 5: When install to square/round pole, align the holes of adjustable quick arm bracket and pole, pass the fixing screws throughout both holes,then put iron bard inside of pole to attach screws.



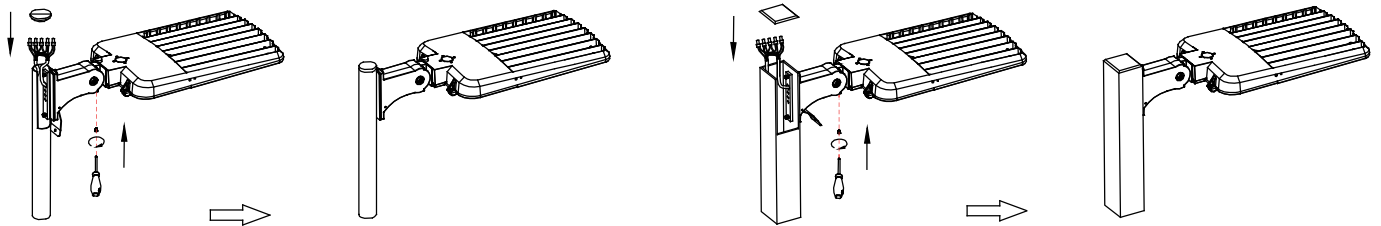
Attention: When install round pole, please remove the rubber gasket.



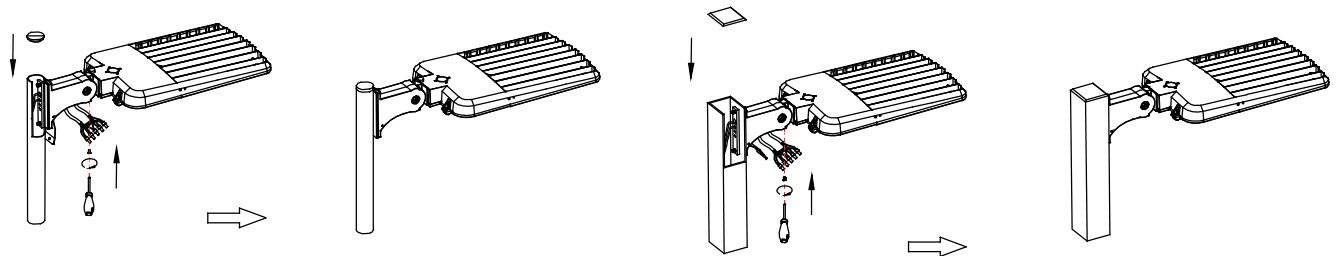
Step 6: 1. Pass the fixture's AC input wires through pole, pull them out together the pole-wires for connection,
 2. Pass the pole-wires into adjustable quick arm bracket, pull them out together with fixture's AC wire from junction box, connect the fixture's AC input wires to pole-wires with connectors, L to L (black), N to N (White), PE to PE (Green); If need to connect dimming wires from the pole to fixture, please also use the connector to connect "Dim +"(purple) to "Dim +"(purple), "Dim -"(pink) to "Dim -"(pink).



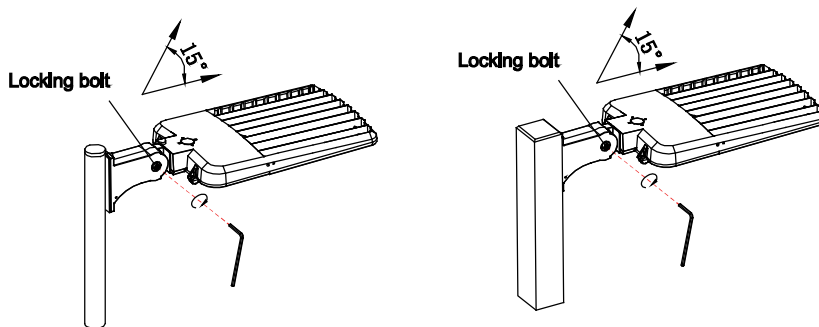
Step 7: 1. Push the connected wires into the pole, close the pole's top cover, then close the junction box cover by tightening the screws.



Step 7: 2. Push the connected wires into bracket junction box, close the box cover by tightening the screws, then close the pole's top cover.

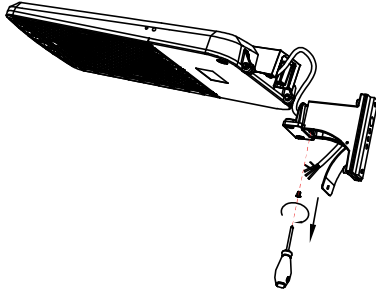


Step 8: Loosen the locking bolt by a wrench to adjust the fixture to an appropriate angle, adjustment range 15°, then tighten this locking bolt.

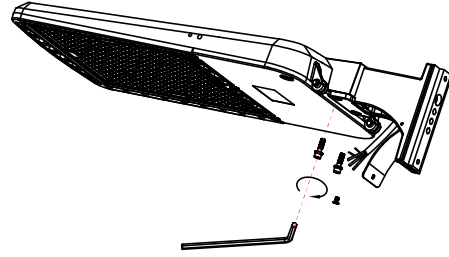


Quick Arm for Square and Round Poles(QA)

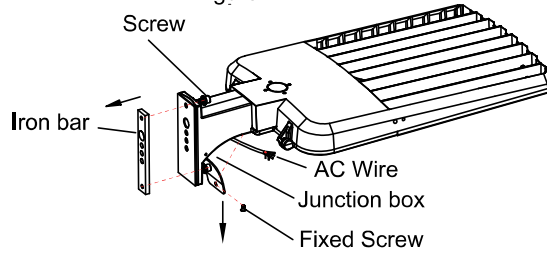
Step 1: Loosen the screws from the quick arm bracket, open junction box cover; pass fixture's AC input wires through quick arm bracket.



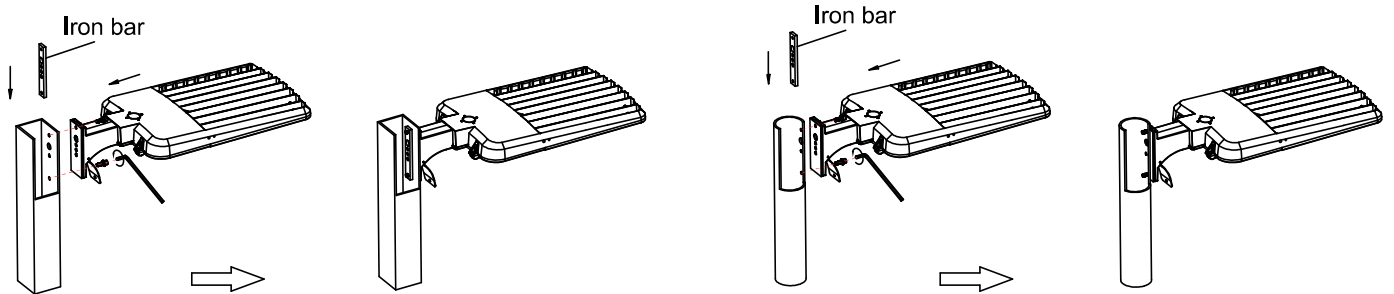
Step 2: Assemble quick arm bracket to fixture body by tightening screws with a wrench.



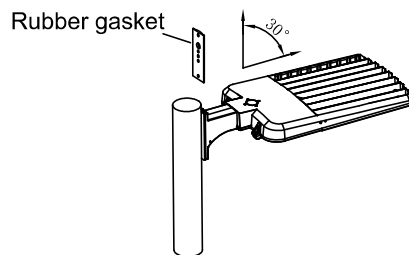
Step 3: Remove the screws with screwdriver, we'll set the iron bar, remove the screws to open the junction box cover, then pass fixture's AC input wires through junction box as shown figure.



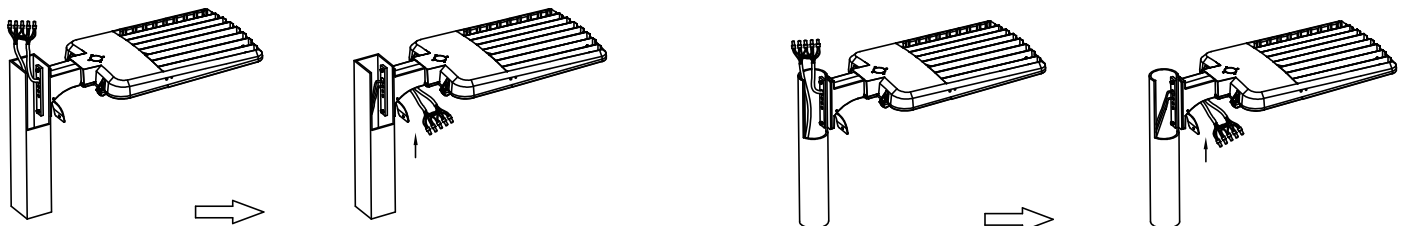
Step 4: When install to square/round pole, align the holes of quick arm bracket and pole, pass the screws throughout both holes, then put iron bar into pole to attach to screws.



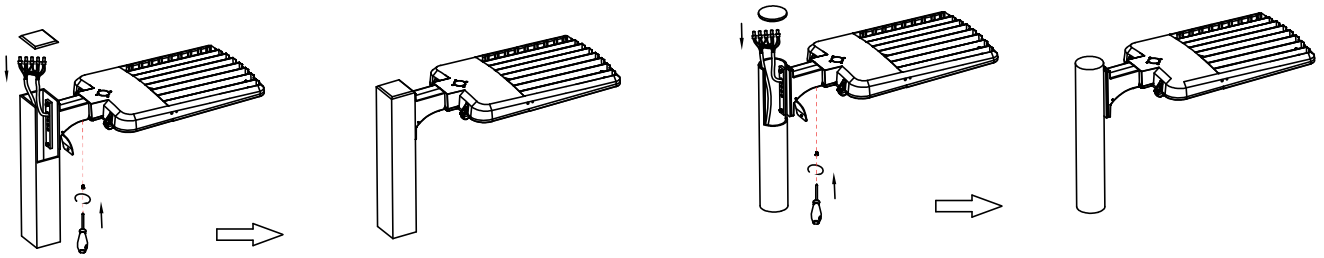
Attention: When install to round pole, please remove the rubber gasket.



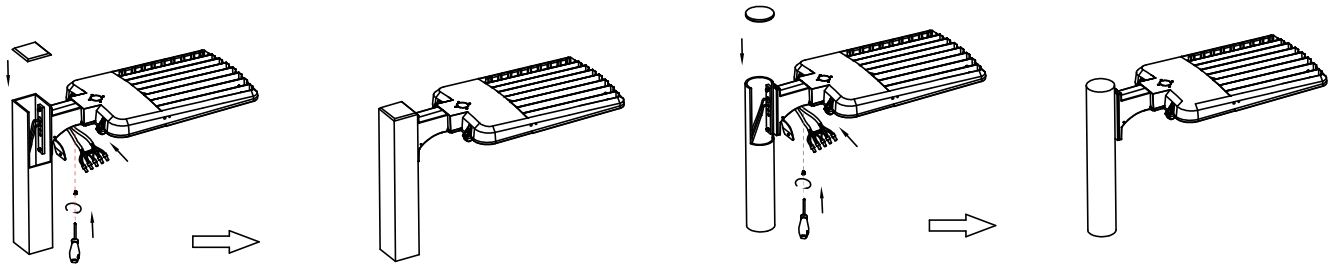
Step 5: 1, Pass the fixture's AC input wires through the pole, pull them out together the pole-wire for connection. Or pass the pole-wires into adjustable quick arm bracket, pull them out together with fixture's AC wire from junction box, connect the fixture's AC input wires to pole-wires with connectors, L to L (black), N to N (White), PE to PE (Green)



Step 6: 1. Push the connected wires into the pole, close the pole's top cover, then close the junction box cover by tightening the screws.

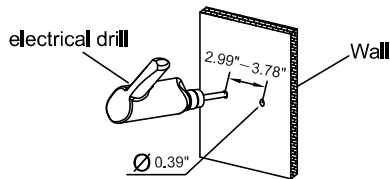


Step 6: 2. Push the connected wires into bracket junction box, close the box cover by tightening the fixing screws, then close the pole's top cover.

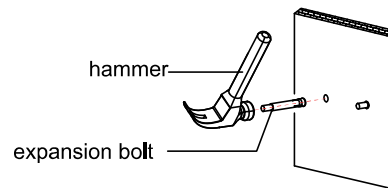


Trunnion(BR)

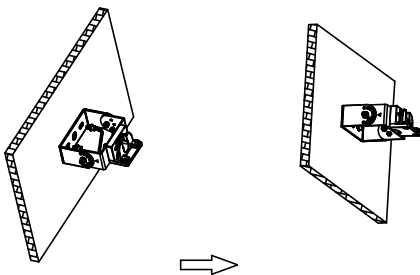
Step 1 : Mark the fixing holes locations on the wall with trunnion bracket, then drill the hole in 0.39 inches diameter with an electric drill;



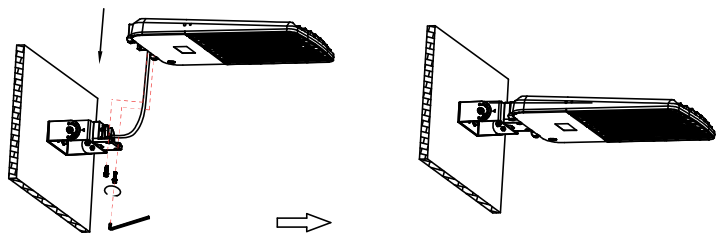
Step 2 : Knock the two expansion bolts into wall with a hammer



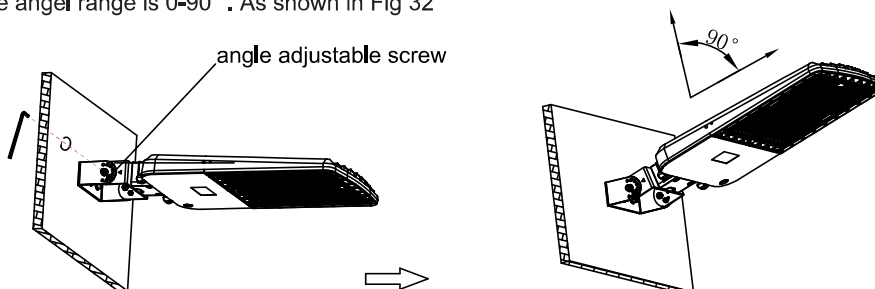
Step 3: Fix the trunnion bracket on the mounting-surface by tightening screws with a wrench.



Step 4: Pass the fixture's AC input wires through the trunnion bracket; then hang the fixture into the trunnion bracket, tighten screws to lock it to trunnion bracket with a wrench.



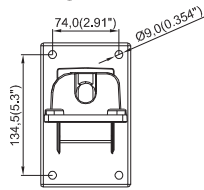
Step 5: Loosen the angle adjustable screws on both sides of trunnion bracket, rotate fixture to an appropriate angle required and tighten the two screws, see fig.31; then connect the fixture's
Note: The adjustable angel range is 0-90 °. As shown in Fig 32



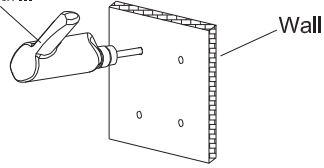
Wall Mounting Arm(WM)

1. Use an electric drill to drill holes in the wall at the reference bracket fixing points, and hammer in the expansion bolts.

Bracket fixing hole size

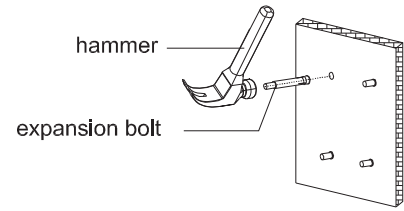


electrical drill

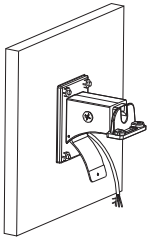


hammer

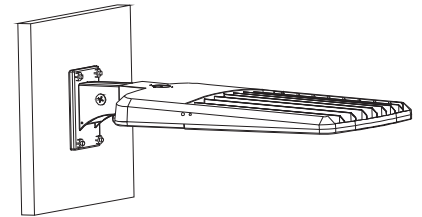
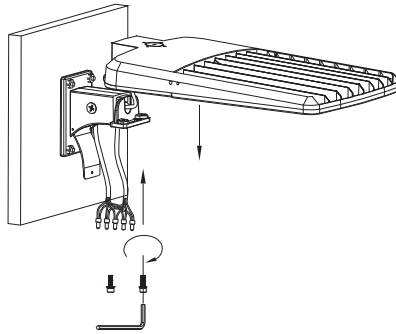
expansion bolt



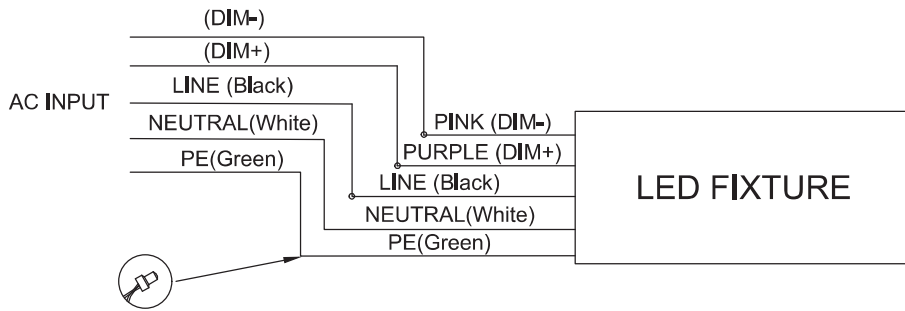
2. Mount the bracket on the wall.



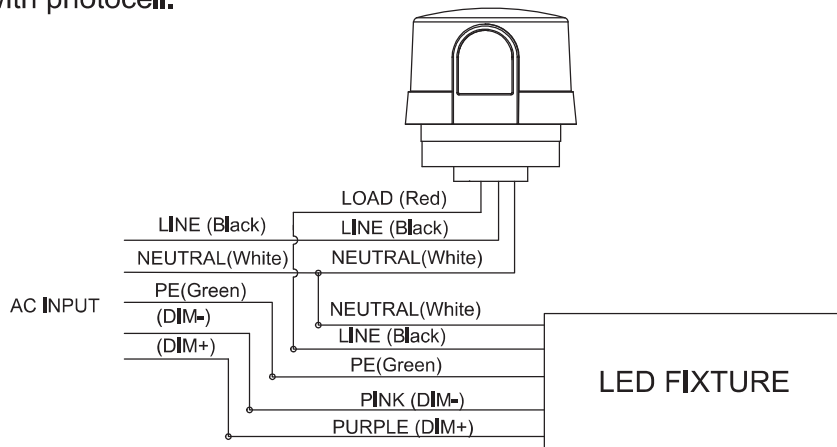
3. Fix the light fixture to the bracket, connect the wires to the light fixture, and secure the bracket cover to complete the installation of the light fixture



Wiring diagram without photocell and motion sensor.



Wiring diagram with photocell.



Wiring diagram with motion sensor.

