

LED CANOPY LIGHT



INSTRUCTION MANUAL

Please read the user manual carefully and follow it. This will help to prevent damage of the product, prolong its lifespan; And it will be helpful for your normal use and maintenance, to ensure that your life safety. Please keep the manual properly.

Part No.	Input Voltage	Frequency	Power	Rated Current
TS-GCP1515-150W-X-X-TCP	AC120-277V	50/60Hz	100W/120W/150W	1.65A

WARNINGS

THE LED CANOPY LIGHT MUST BE INSTALLED IN ACCORDANCE WITH ALL APPLICABLE ELECTRICAL CODES BY PERSONS FAMILIAR WITH THE INSTALLATION, OPERATION, AND/OR MAINTENANCE OF THE PRODUCTS AND THE HAZARDS INVOLVED. THE LED CANOPY LIGHT MUST BE INSTALLED WITH UL LISTED LIQUID-TIGHT CONDUIT FITTINGS.

- Risk of fire or electric shock.
 - 1-1 Make sure the working voltage of LED canopy light is under its rated voltage.
 - 1-2 Make sure the accessories and wires are completed and intact during the installation.
 - 1-3 Installation requires knowledge of electrical systems. For install by qualified electrician only.
 - Do not attempt installation if not qualified.
 - 1-4. This fixture should only be installed in place of existing luminaires that have the construction features and dimensions specified in this manual.
- Do not expose any wire to edge of sheet metal and/or other sharp objects that may cause damage or abrasion.
- Do not change existing open holes or create any additional open holes in the fixture or its components during installation.

CAUTIONS

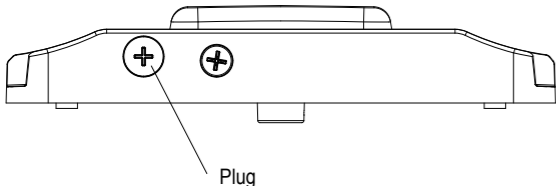
- Be certain electrical power is OFF before and during installation and maintenance.
- To prevent wiring damage or abrasion, do not expose wiring to edges of sheet metal or other sharp objects.
- Do not use the LED Canopy Light near heating appliances/ elements.
- The input voltage and lamps should be matched after connecting the power line, please make sure the wiring section is insulated.

LED Canopy Light must be operated within an ambient temperature range of -40°C (-40°F) and 45°C (113°F).
LED Canopy Light is not intended for use with emergency exits.

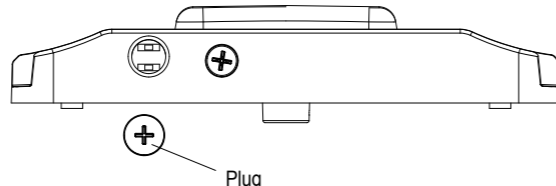
Installation Instruction

Installation method I : Canopy Installation

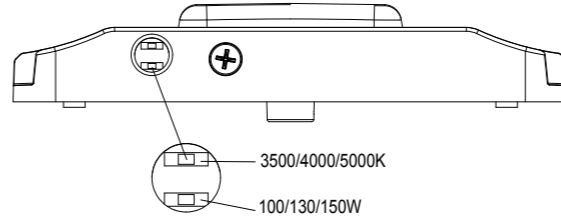
1. Please lay the lamp flat.



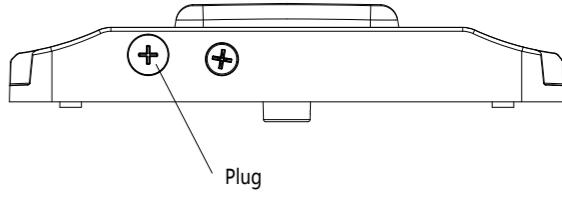
2. Use a screwdriver to unscrew the plug.



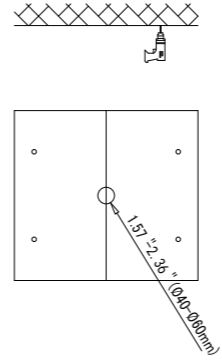
3. Switch to the designated location according to the requirements of the color temperature and power



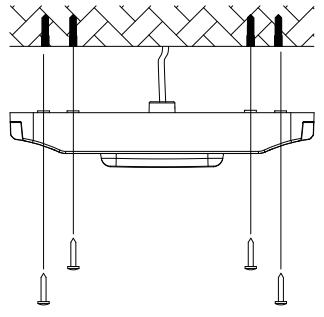
4. Screw Back the plug with a screwdriver



5. Create 1 access hole with appropriate hole saw in canopy deck. Make sure hole edges are free of burrs.

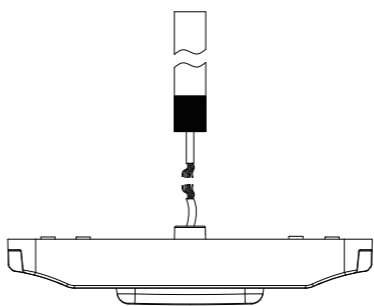


6. Align luminaire to circular hole in canopy deck. Ensure luminaire is fully seated and flush with canopy deck surface.

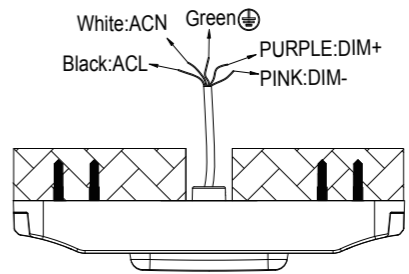


7. Secure the fixture to the canopy deck with self-drilling fasteners (provided with luminaire). If self-drilling screws are used to mount luminaire to canopy deck, ensure all fastener penetrations above canopy deck are sealed with suitable weatherable sealant/caulking (sealant/caulk provided by others).

8. Feed wires through 3/4in NPT threaded conduit. Screw conduit into threaded luminaire housing. Make sure to thread 3/4in conduit threads into the housing and torque to ensure seal. Make sure not to twist conductors while threading. Use two (2) conduit nuts to assemble wet location rated wiring box or other suitable wet location junction box to the conduit.



9. Connect luminaire wires to appropriate supply leads using properly sized connectors (supplied by others). Refer to wiring information to make connections. Make sure wires are not damaged or pinched when tucking them in the junction box. Black-L, White-N, Green-GND, Purple: Dim+, Pink: Dim-



◆—————◆
◆ The Installation must be carried out by a qualified electrician. ◆
◆—————◆