

JDS-V Series

LED Petroleum Canopy Light

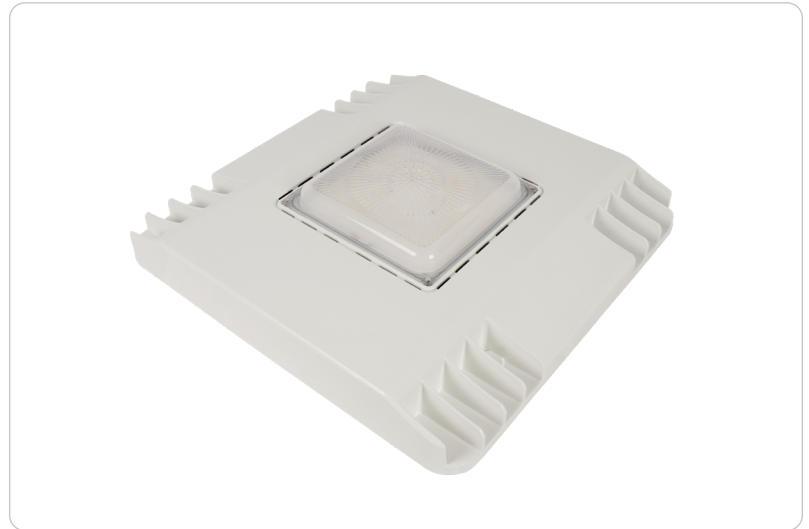
Phone: (800) 363-1075

jarvislighting.com | info@jarvislighting.com

1054 National Parkway, Schaumburg, IL 60173

Product Highlights

- ▶ Features drop lens optics
- ▶ Adjustable color temperature and power levels
- ▶ 10 Year Warranty
- ▶ Produces up to 20,842 lumens



JDS-V SERIES	COMPETITORS' PRODUCTS
Drop lens design increases visibility from roadway	Optics design only "blasts" light at the ground
UV stabilized PC lens increases longevity	Standard PC lens yellows quickly
Lens is impact resistant	Glass lenses are not impact resistant

Ordering Guide

Example: JDS-V-13ML19-35K/40K/50K-YY-UV-DRP-WHT-DM

PRODUCT FAMILY	LUMEN OUTPUT / WATTAGE	CCT	CUSTOMIZATION	INPUT VOLTAGE	LENS	DIMMING / CONTROL	HOUSING COLOR
JDS-V LED Petroleum Canopy Light	13ML19 - 13,000 lm / 100W 15,600 lm / 120W 20,842 lm / 150W (Selectable)	35K/40K/50K - 3500K/4000K/5000K (Selectable)	YY - YY is standard	UV - 120-277V	DRP - Drop Lens	DM - 0-10V Dimming	WHT - White

Additional Field Installed Options and Accessories

CATALOG #	DESCRIPTION
ACR225F	22.5" square adapter panel to mount JDS-V Series to existing 2x2 box lights
ACR205F	20.5" square adapter panel to mount JDS-V Series to existing 2x2 box lights
ACC235F	Canopy Cover Panel (also known as a 'beauty plate') for covering canopy stains when a 2x2 is being removed and an JDS-V fixture is being installed in the same location
ACB235	Canopy Blank-Out Panel (for covering hole where old 2x2 fixture used to be)

Electrical

- ▶ Input Voltage: 120-277V 50/60Hz
- ▶ Power Factor: >0.9 at full load
- ▶ Total Harmonic Distortion: <20% full load
- ▶ Operating Temperature Range: -40° C - 45° C Ambient (-40° F to 113° F)
- ▶ Power supply includes internal 6kV surge protection.

Construction and Materials

- ▶ Housing is constructed from die-cast aluminum and finished with a corrosion resistant powder coat finish that is applied directly to housing material and will not crack or peel. Default color is white. Bronze and custom colors are available.
- ▶ Lens construction is single piece UV resistant polycarbonate.
- ▶ Luminaire's construction contains zero mercury.
- ▶ Fasteners are stainless-steel and will not rust or create rust-streaks.

Optical System

- ▶ The JDS-V series optic design features an LED board that provides uniform illumination. Additionally the drop lens design increases the station's visibility from the road, while simultaneously providing quality under canopy illumination. The single piece lens design is made from UV and impact resistant polycarbonate. The JDS-V series optical system ensures every station has an eye-catching sparkle that will increase customer satisfaction.
- ▶ LED color temperature is selectable and can be set to 5000K, 4000K or 3000K during installation.

Controls and Dimming

- ▶ 0-10V dim-to-off dimming leads are default on all models.
- ▶ The JDS-V Series is compatible with many other photosensors and motion sensor systems. Contact a Jarvis representative for more information.

Regulatory and Voluntary Qualifications

- ▶ UL certified to UL 1598 for both US and Canada
- ▶ State of California Title 24 Compliant when installed in accordance with local requirements
- ▶ Rated for Wet Locations
- ▶ Rated to IP65

Warranty and Lifetime

- ▶ The JDS-V Series carries a 10-year limited warranty. Contact Jarvis representative for details.
- ▶ Projected LED lifetime exceeds 50,000 hours under most operating conditions. Lifetime projections are calculated using data including LM-79, LM-80 and TM-21 calculations. Contact Jarvis representative for details.

Installation

- ▶ JDS-V Series installs into a standard gas station canopy deck via 4 self-drilling screws and a center mounting hole for wiring connections to junction box on the topside of the canopy.
- ▶ Installs in a 12" or 16" deck pan. Surface mount boxes are available. Lumen output and CCT can be set during installation via 2 dipswitches located behind a knockout locked on the side of the fixture.

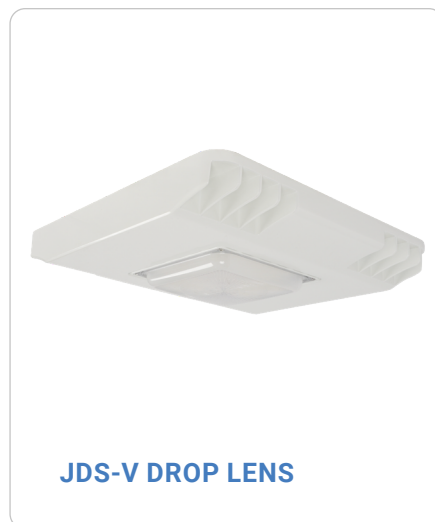
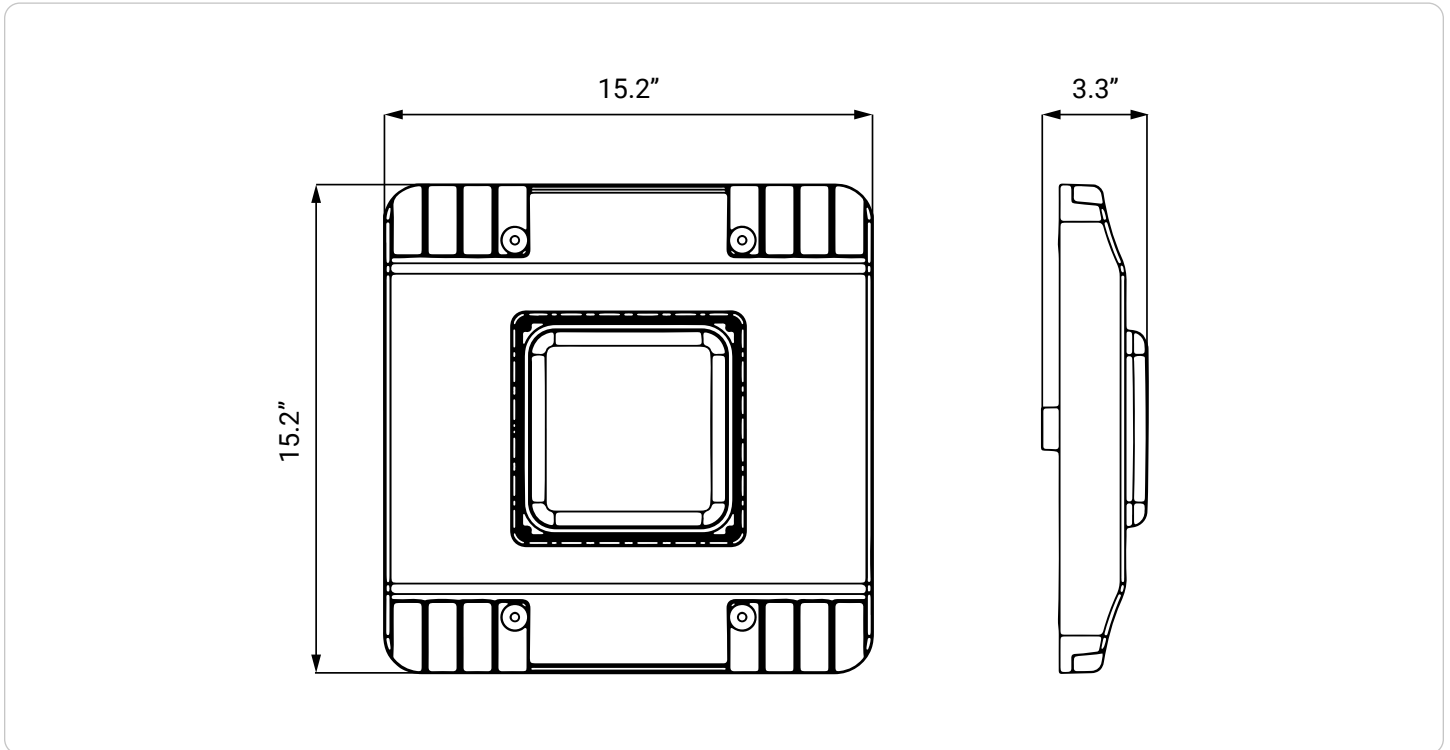
DLC Product ID

JARVIS MODEL #	DLC PRODUCT ID
JDS-V-13ML19-35K/40K/50K-YY-UV-DRP-WHT-DM	S-XDP675

Product Weight

CATALOG #	WEIGHT
JDS-V Fixture	8.2lbs

Dimensions



Photometrics

Photometric information, including LM-79 reports and .IES files are available for most models at www.jarvislighting.com. Site photometrics and lighting layouts are available. Contact a Jarvis representative.

JDS-V-13ML19-35K/40K/50K-YY-UV-DRP-WHT-DM

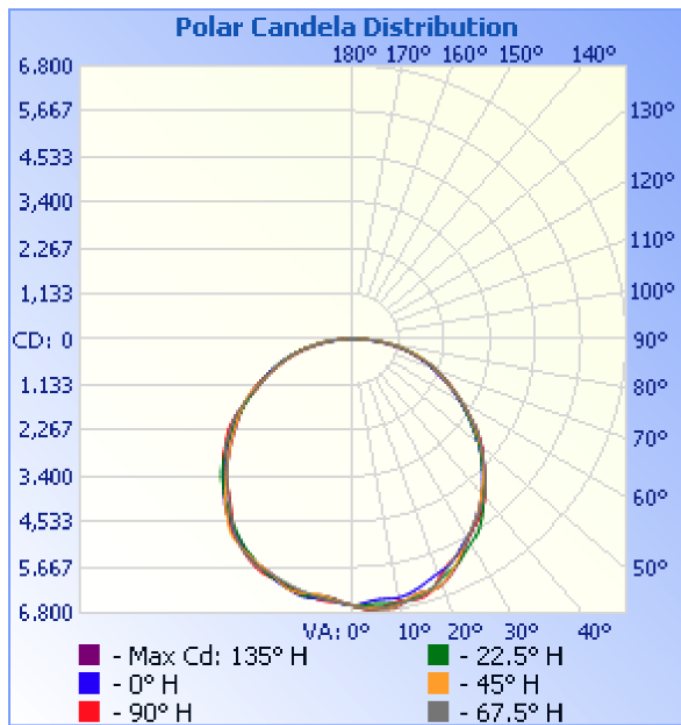
LUMINAIRE DATA

SETTING:	5000K Kelvin, 100% power
WATTS	153.1 W
LUMENS	20,842 lm
EFFICACY	136.13 lm/W

ZONAL LUMENS SUMMARY

ZONE	LUMENS	SUMMARY
Uplight	76.5 lm	0.37%
Downlight	20,398.8 lm	99.63%

POLAR CANDELA DISTRIBUTION



ISOCANDELA PLOT

