

JSAL-G2 LED Slim Area Light



Product Highlights

- Multiple optics available
- 0-10V dim-to-off + 12v auxiliary power for accessories
- Adjustable color temperature and wattage option available
- Compatible with Jarvis Link networked lighting control systems
- Z10 Ready
- 10 Year Warranty

Jarvis JSAL-G2Series

Z10 accessory ready

Quick-mount arm attaches separately to pole allowing for fast and easy 1-person installation

Unique design air vent prevents gasket failure or water damage

Competitors' Products

Limited sensor options available and difficult to install

Mounting arm is attached to fixture making installation difficult

High frequency of gasket failure and water damage due to air pressure issues

Ordering Guide

Example: JSAL-G2-28L-50K-UV-T4-BRZ-Z10R-QA

Product Family	Lumen Package	CCT	Voltage	Optics	Housing Color	Dimming/Control	Mounting Arm Accessories	Factory Installed Accessories
JSAL-G2 Slim LED Area Light	14L - 14,528 Lumens	40K - 4000K	UV - 120-277V	T3 - Type III	BRZ - Bronze	Z10R - Z10 Ready	SFM - Slipfiter	+ A306 + A307 Twist Lock Photocell
	21L - 21,919 Lumens						QA - Quick Mounting Direct Arm for Square/Round Poles	
	28L - 29,931 Lumens						TQA - Adjustable Quick Mounting Direct Arm for Square/Round Poles	
	33L - 35,317 Lumens	T3LT - Type III Left Throw		WHT - White	DM - 0-10V Dimming	BR - Trunnion		
	42L - 44,576 Lumens	T3RT - Type III Right Throw						
	14ML28 - 14,000/ 21,000/27,908 Lumens Adjustable Lumens	30K/40K/50K - 3000K/4000K/ 5000K Adjustable CCT		T4 - Type IV				
	28ML42 - 28,000/ 33,000/41,783 Lumens Adjustable Lumens			T5 - Type V				

Variants in blue are typically quick ship items. Other variants are typically special order with longer lead time.

Additional Field Installed Accessories

Catalog #	Description
JL-Z10-SPM-EXT-BRZ-V1	Jarvis Link Z10 Bluetooth PIR Motion Sensor + Photocell (Brown Color) - 40ft Max Mounting Height*
JL-Z10-SPM-EXT-WHT-V1	Jarvis Link Z10 Bluetooth PIR Motion Sensor + Photocell (White Color) - 40ft Max Mounting Height*
JL-Z10-WCM-BRZ-V1	Jarvis Link Z10 Bluetooth Wireless Control Module (Brown Color)*
JL-Z10-WCM-WHT-V1	Jarvis Link Z10 Bluetooth Wireless Control Module (White Color)*
JL-Z10-WCM-CLE-V1-LR	Jarvis Link Z10 Bluetooth Wireless Control Module w/ Long Range Antenna (Clear Color)*
S-Z10-SPM-EXT-WHT-V1	Remote Programmable PIR Z10 Motion Sensor + Photocell (White Color) - 40ft Max Mounting Height
S-Z10-SPM-EXT-WHT-V2	Remote Programmable Microwave Z10 Motion Sensor + Photocell (White Color) - 40ft Max Mounting Height
JSAL-G2-A-GS1	Glare Shield Kit for 14L + 21L
JSAL-G2-A-GS2	Glare Shield Kit for 28L
JSAL-G2-A-GS3	Glare Shield Kit for 33L + 42L

*Jarvis Link requires prior training with Jarvis representative

Electrical

Input Voltage: 120-277V 50/60Hz

Power Factor: >0.9 at full load.

Total Harmonic Distortion: <20% full load

Includes over voltage protection, over current protection, and short circuit protection

Operating Temperature Range: -40°C to 45° C Ambient (-40°F to 113°F)

Controls and Dimming

0-10V dimming leads are default on all 120-277V input models and accessible outside the fixture body. The power supply is capable of providing 12VDC auxiliary output power for a variety of accessories.

JSAL-G2 Z10R models feature a dim-to-off driver and a Z10 receptacle. They are compatible with the Jarvis Lighting networked lighting control system. This system allows the lights to communicate with each other via Bluetooth® signal. Systems are typically capable of grouping, controlling and dimming lights through a number of methods including motion sensors, photo sensors, schedules, manual Bluetooth switches and more.

The JSAL-G2 series is compatible with Jarvis Lighting's PhotoMotion™ sensors or network lighting control system. PhotoMotion™ sensors provide multi-level control based on both motion and/or ambient natural lighting levels and can be custom programmed via remote control. The JSAL-G2 Series is compatible with many other photosensors and motion sensor systems. Contact a Jarvis representative for more information.



DLC Product ID and Specifications

Jarvis Model #	DLC Product ID	Input	Lumens	Wattage	CCT	CRI	PF
JSAL-G2-14L-40K-UV-T3-[BRZ,WHT]-Z10R-[SFM,QA,TQA,BR]	S-VNF0AJ	120-277V 50/60Hz	14,412 lm	100W	4000K	≥ 80	≥ 0.9
JSAL-G2-14L-50K-UV-T3-[BRZ,WHT]-Z10R-[SFM,QA,TQA,BR]	S-FCKWTJ	120-277V 50/60Hz	14,528 lm	100W	5000K	≥ 80	≥ 0.9
JSAL-G2-21L-40K-UV-T3-[BRZ,WHT]-Z10R-[SFM,QA,TQA,BR]	S-L52B1N	120-277V 50/60Hz	22,093 lm	150W	4000K	≥ 80	≥ 0.9
JSAL-G2-21L-50K-UV-T3-[BRZ,WHT]-Z10R-[SFM,QA,TQA,BR]	S-P20N6J	120-277V 50/60Hz	21,919 lm	150W	5000K	≥ 80	≥ 0.9
JSAL-G2-28L-40K-UV-T3-[BRZ,WHT]-Z10R-[SFM,QA,TQA,BR]	S-NEUJ0M	120-277V 50/60Hz	30,168 lm	200W	4000K	≥ 80	≥ 0.9
JSAL-G2-28L-50K-UV-T3-[BRZ,WHT]-Z10R-[SFM,QA,TQA,BR]	S-2M961J	120-277V 50/60Hz	29,931 lm	200W	5000K	≥ 80	≥ 0.9
JSAL-G2-33L-40K-UV-T3-[BRZ,WHT]-Z10R-[SFM,QA,TQA,BR]	S-T6KXM3	120-277V 50/60Hz	35,597 lm	240W	4000K	≥ 80	≥ 0.9
JSAL-G2-33L-50K-UV-T3-[BRZ,WHT]-Z10R-[SFM,QA,TQA,BR]	S-1CDW0T	120-277V 50/60Hz	35,317 lm	240W	5000K	≥ 80	≥ 0.9
JSAL-G2-42L-40K-UV-T3-[BRZ,WHT]-Z10R-[SFM,QA,TQA,BR]	S-8195NX	120-277V 50/60Hz	44,288 lm	300W	4000K	≥ 80	≥ 0.9
JSAL-G3-42L-50K-UV-T3-[BRZ,WHT]-Z10R-[SFM,QA,TQA,BR]	S-82JY3S	120-277V 50/60Hz	44,576 lm	300W	5000K	≥ 80	≥ 0.9
JSAL-G2-14ML28-30K/40K/50K-UV-T3-[BRZ,WHT]-Z10R-[SFM,A,TQA,BR]	S-8LC392	120-277V 50/60Hz	14,000 / 21,000 / 27,908 lm	100W / 150W / 200W	3000K / 4000K / 5000K	≥ 80	≥ 0.9
JSAL-G2-28ML42-30K/40K/50K-UV-T3-[BRZ,WHT]-Z10R-[SFM,QA,TQA,BR]	S-G8VUKY	120-277V 50/60Hz	28,000 / 33,600 / 41,783 lm	200W / 200W / 300W	3000K / 4000K / 5000K	≥ 80	≥ 0.9

Factory default setting listed in bold



Construction and Materials

Housing is constructed from die-cast aluminum and features either an adjustable slipfitter mount, direct quick mount, or adjustable trunnion mount.

Die-cast housing features a powdercoat finish. Powdercoat finish is applied directly to aluminum housing and will not crack or peel. Default color is bronze. White finishes are readily available as a standard color. Custom colors are available. Contact factory for additional color information.

LEDs are reflow soldered to a metal core circuit board, providing greater thermal transfer than standard circuit board materials. Thermally-conductive material is positioned between LEDs and housing to provide increased thermal transfer.

High quality waterproof valve keeps internal and external pressure balanced to prevent moisture accumulation in optical chamber.

Power supply features 12v auxiliary output power and 0-10v dim-to-off.

Z10 receptacle is pre installed into the power supply compartment door.

Lens construction is UV-resistant PC material. Factory default is Type III optics.

Luminaire's construction contains zero mercury.

Fasteners are stainless-steel and will not rust or create rust-streaks.

Regulatory and Voluntary Qualifications

UL listed to UL 1598 and UL 8750 for both US and Canada

State of California Title 24 Compliant when installed in accordance with local requirements

DesignLights Consortium® (DLC) Premium qualified product. Not all versions of this product may be DLC qualified. Please check the DLC Qualified Products List at www.designlights.org/QPL to confirm which versions are qualified.

Rated for Wet and Dry Locations

Warranty and Lifetime

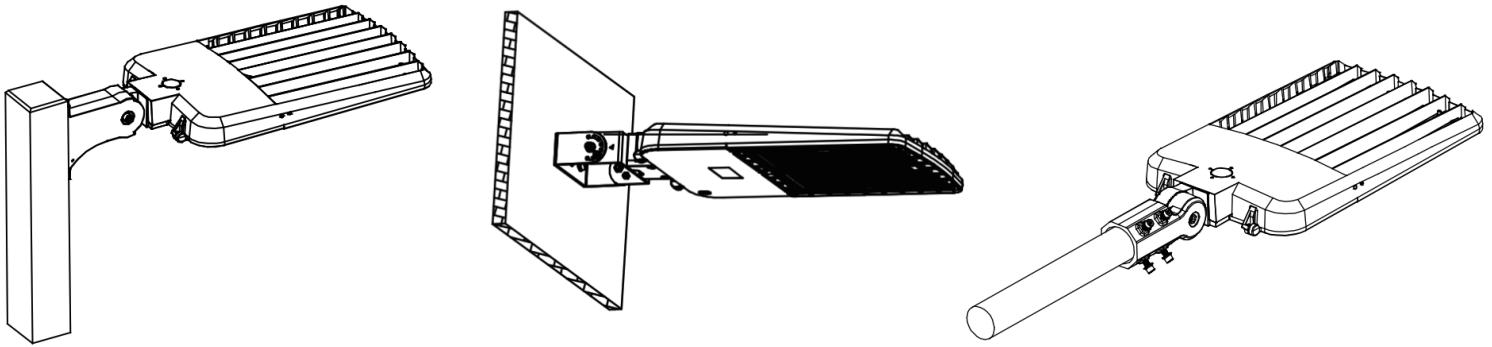
JSAL-G2 Series carries a 10-year limited warranty.

Contact Jarvis representative for details.

Projected LED lifetime exceeds 50,000 hours under most operating conditions. Lifetime projections are calculated using data including LM-79, LM-80 and TM-21 calculations. Contact Jarvis representative for details.

1.5G vibration rated





Installation

Luminaire can be ordered with 1 of 4 different mounting options - please indicate at time of order by selecting “QA” quick arm, “TQA” adjustable quick arm, “SFM” slipfitter mount, or “BR” trunnion mount. Luminaire ships with at least 2ft of wire protruding from fixture to allow for ease of wiring.

The “SFM” slipfitter mount allows luminaire to be installed onto a round pole-top, tenon or pipe-stub up to 2.4” in diameter. Slipfitter is adjustable and luminaire may be positioned with LEDs parallel to ground or tilted back up to 90 degrees.

The “QA” quick arm allows luminaire to be installed onto either a square or round pole-side. Included round pole mounting adapter required for round pole installations. The direct mount is non-adjustable and will mount with LEDs parallel to the ground.

The “TQA” adjustable quick arm allows luminaire to be installed onto either a square or round pole-side. Included round pole mounting adapter required for round pole installations. The “TQA” mount is adjustable and the luminaire may be positioned with LEDs parallel to the ground or tilted back up to 90 degrees.

The “BR” trunnion arm allows luminaire to be installed onto either a wall or 4"x3" flat surface. Trunnion is adjustable and the luminaire may be positioned with LEDs parallel to ground or tilted back up to 90 degrees.

When installing Z10 compatible accessories, the receptacle cover cap must first be removed. Z10 compatible accessories must be inserted and rotated until locked into place on the receptacle.

Contact a Jarvis Representative for full installation instructions, videos or additional information.

Photometrics

Photometric information, including LM-79 reports and .IES files are available for most models at www.jarvislighting.com. Site photometrics and lighting layouts are available. Contact a Jarvis representative.

JSAL-G2 Series EPA:

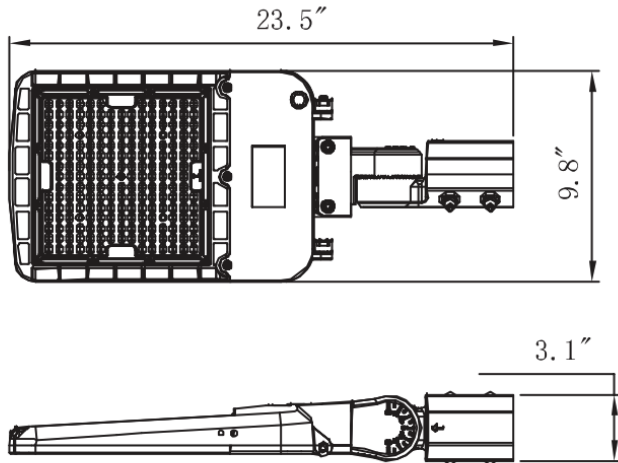
Mounting Type	Tilt	EPA(ft ²)					
		Single	2@90	2@180	3@90	3@120	4@90
100W / 150W	0°	0.34	0.63	0.64	0.93	0.87	1.24
	10°	0.29	0.53	0.54	0.78	0.72	1.04
	20°	0.28	0.51	0.52	0.75	0.69	1.00
	30°	0.32	0.59	0.60	0.87	0.81	1.16
	40°	0.38	0.71	0.72	1.05	0.99	1.40
	45°	0.30	0.42	0.50	0.60	0.58	0.83
	50°	0.56	1.07	1.08	1.59	1.53	2.12
	60°	0.84	1.63	1.64	2.43	2.37	3.24
	70°	1.06	2.07	2.08	3.09	3.03	4.12
	80°	1.24	2.43	2.44	3.63	3.57	4.84
	90°	1.39	2.73	2.74	4.08	4.02	5.44
200W	0°	0.75	1.45	1.46	2.16	2.10	2.88
	10°	0.69	1.33	1.34	1.98	1.92	2.64
	20°	0.69	1.33	1.34	1.98	1.92	2.64
	30°	0.73	1.41	1.42	2.10	2.04	2.80
	40°	0.79	1.53	1.54	2.28	2.22	3.04
	45°	0.83	1.61	1.62	2.40	2.34	3.20
	50°	0.99	1.93	1.94	2.88	2.82	3.84
	60°	1.30	2.55	2.56	3.81	3.75	5.08
	70°	1.54	3.03	3.04	4.53	4.47	6.04
	80°	1.73	3.41	3.42	5.10	5.04	6.80
	90°	1.89	3.73	3.74	5.58	5.52	7.44
	0°	1.09	2.13	2.14	3.18	3.12	4.24
240W / 300W	10°	1.01	1.97	1.98	2.94	2.88	3.92
	20°	1.00	1.95	1.96	2.91	2.85	3.88
	30°	1.06	2.07	2.08	3.09	3.03	4.12
	40°	1.15	2.25	2.26	3.36	3.30	4.48
	45°	1.20	2.35	2.36	3.51	3.45	4.68
	50°	1.42	2.79	2.80	4.17	4.11	5.56
	60°	1.86	3.67	3.68	5.49	5.43	7.32
	70°	2.19	4.33	4.34	6.48	6.42	8.64
	80°	2.46	4.87	4.88	7.29	7.23	9.72
	90°	2.69	5.33	5.34	7.98	7.92	10.64

Product Weight

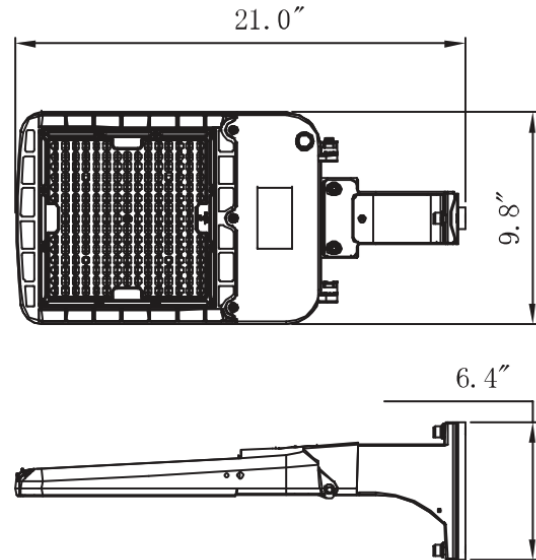
	Catalog #						
	JSAL-G2-14L	JSAL-G2-21L	JSAL-G2-28L	JSAL-G2-33L	JSAL-G2-42L	JSAL-G2-14ML28	JSAL-G2-28ML42
-QA	8.9 lbs	9.1 lbs	9.6 lbs	12.9 lbs	13.4 lbs	9.6 lbs	13.4 lbs
-TQA	10.3 lbs	10.5 lbs	11.0 lbs	14.3 lbs	14.8 lbs	11.0 lbs	14.8 lbs
-SFM	9.2 lbs	9.4 lbs	9.9 lbs	13.2 lbs	13.7 lbs	9.9 lbs	13.7 lbs
-BR	9.2 lbs	9.4 lbs	9.9 lbs	13.2 lbs	13.7 lbs	9.9 lbs	13.7 lbs

Dimensions:

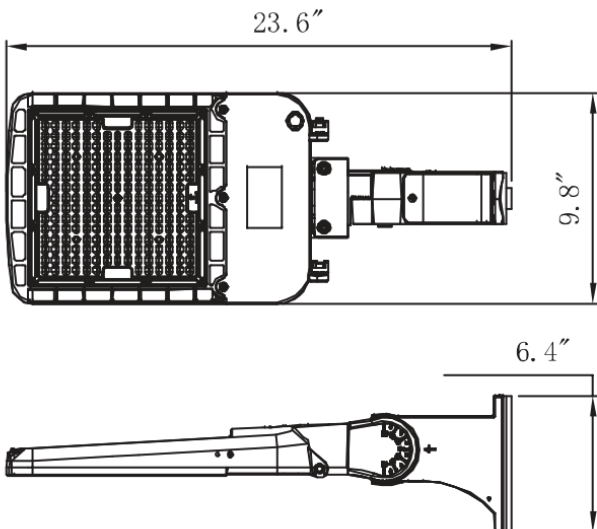
JSAL-G2-14L/19L - SFM



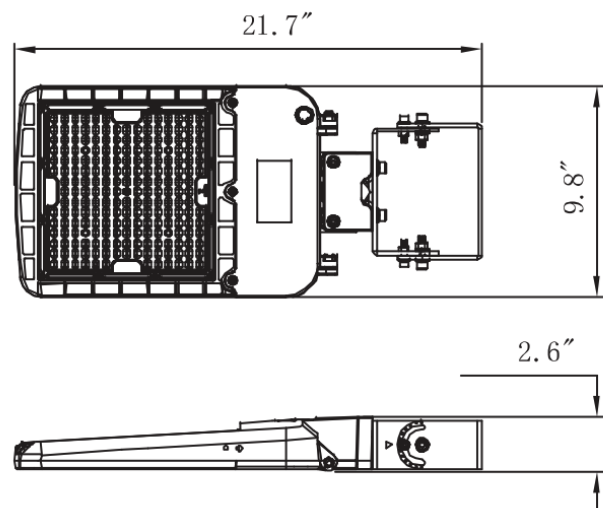
JSAL-G2-14L/19L - QA



JSAL-G2-14L/19L - TQA



JSAL-G2-14L/19L - BR

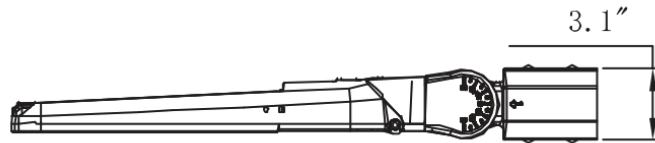
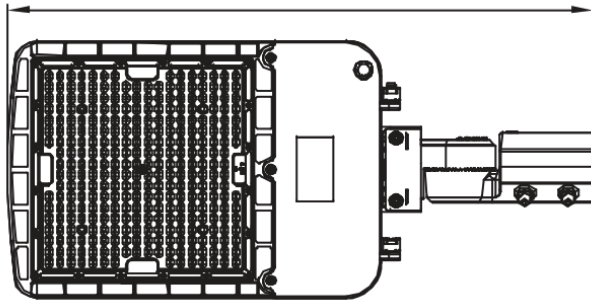




Dimensions:

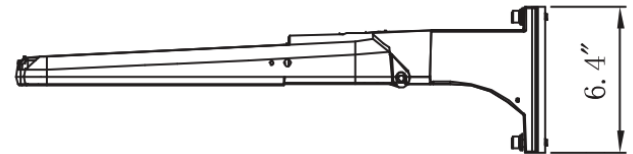
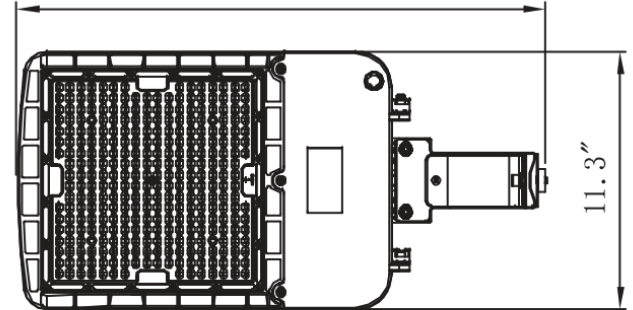
JSAL-G2-28L/14ML28 - SFM

25.7"



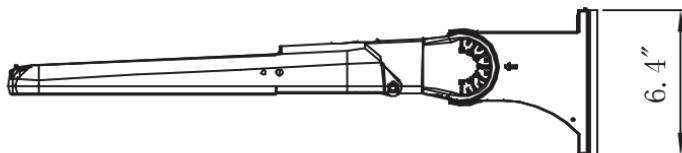
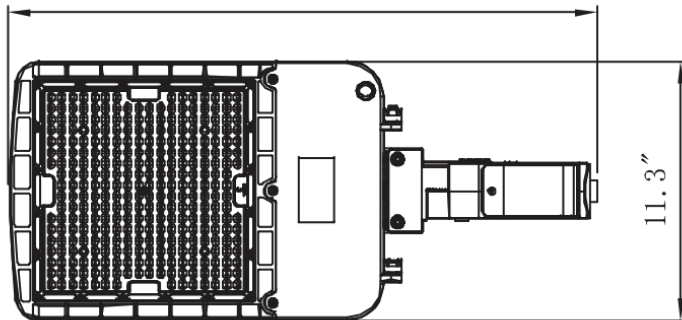
JSAL-G2-28L/14ML28 - QA

23.2"



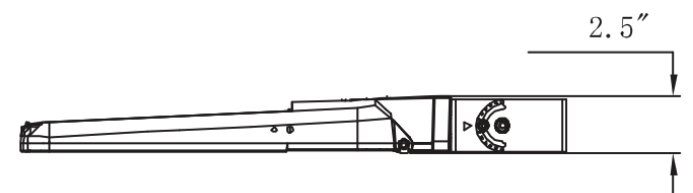
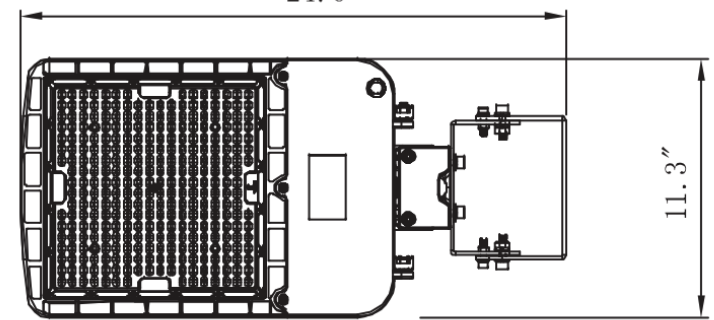
JSAL-G2-28L/14ML28 - TQA

25.8"



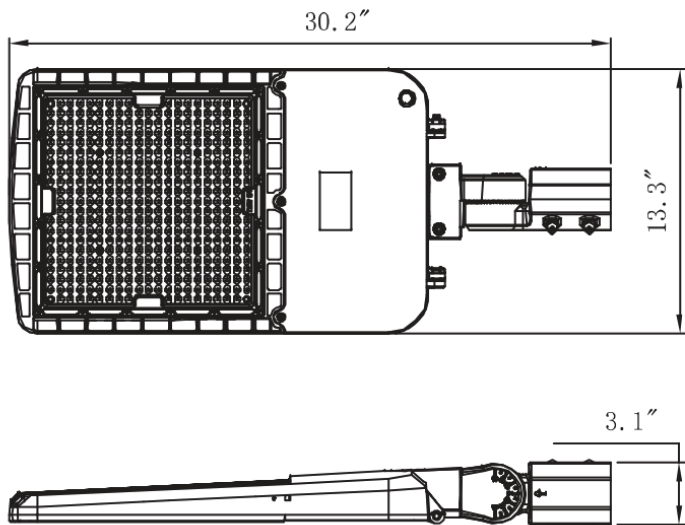
JSAL-G2-28L/14ML28 - BR

24.0"

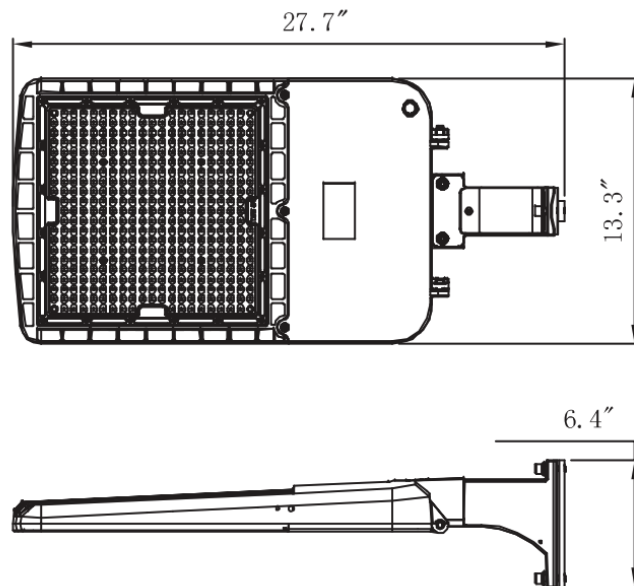


Dimensions:

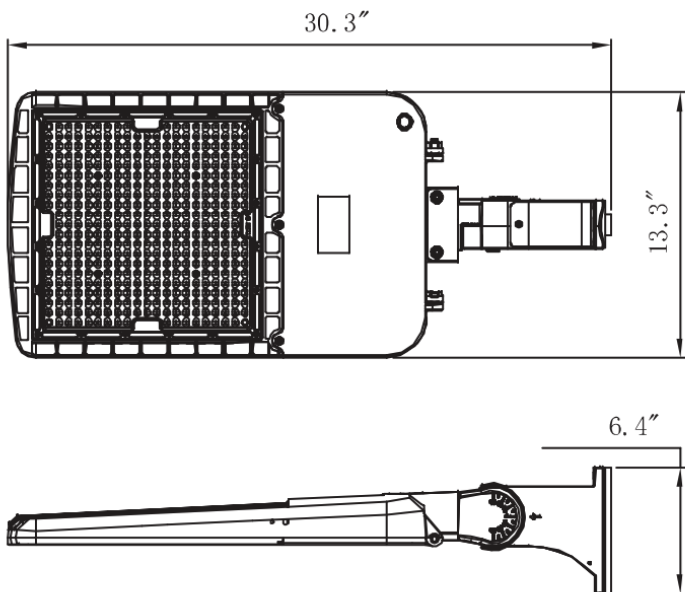
JSAL-G2-33L/42L/28ML42 - SFM



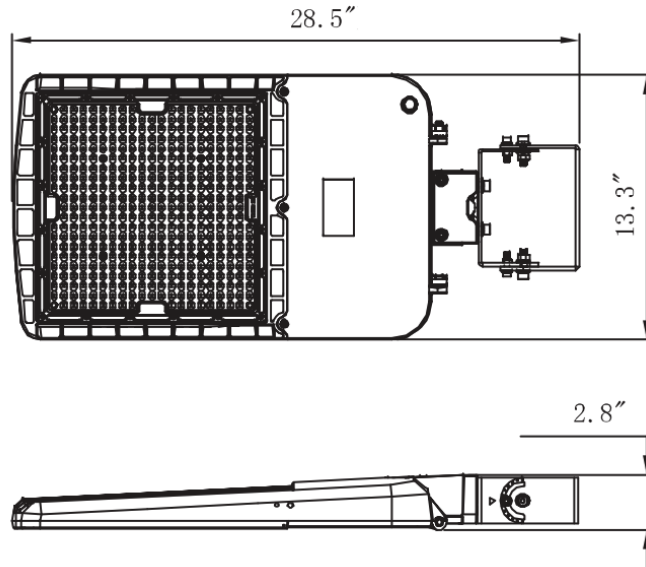
JSAL-G2-33L/42L/28ML42 - QA



JSAL-G2-33L/42L/28ML42 - TQA



JSAL-G2-33L/42L/28ML42 - BR



BRIGHT DONE RIGHT™

