

# Industra

by TCP

## LED UFO High Bay Luminaires



TCP's easy-to-install LED UFO High Bay Luminaires have a sleek, robust design that meets a variety of application needs.

Combining long life and outstanding efficacy up to 145LPW, TCP offers a cost effective solution to maximize energy and maintenance savings. These LED luminaires instantly deliver brilliant white light, eliminating long warm-up times experienced with HID fixtures.

### Reasons to choose the LED UFO High Bay Luminaires from TCP

- Energy efficient design delivers up to 145 LPW
- Smooth, uniform 0-10V dimming
- Instant on
- Long life: 50,000 hours
- Heavy duty die-cast aluminum housing
- IP65 wet location rated

### Ideal Applications

- Warehouses & Distribution Centers
- Commercial Facilities
- Aisles (Open & Stock)
- Retailers
- Schools & Municipalities
- Field Houses & Gymnasiums
- Open Ceiling Designs

## Applications

This product can be effectively used in many indoor applications such as Convention Centers, Warehouses, Commercial Facilities, Retail Stores, Schools, Gymnasiums, or any open ceiling design.

## Construction

- IP65 rated
- Die-cast aluminum housing
- Impact-resistant acrylic lens
- Durable black powder coat
- Hangs from an included eye bolt
- Operating temperature: -20°C - 40°C

## Electrical

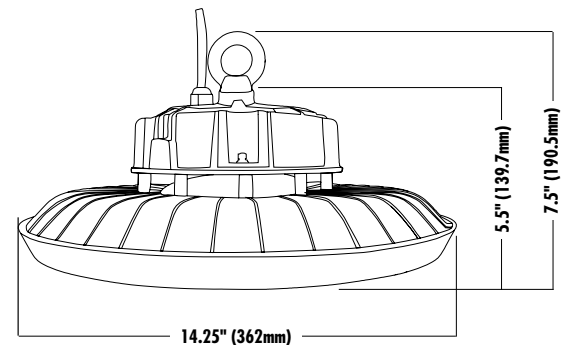
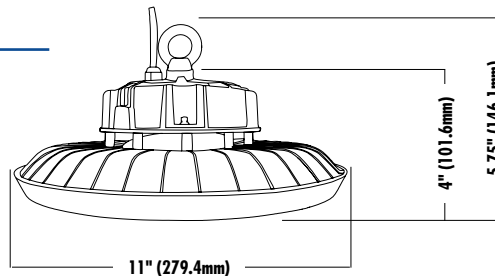
- cULus wet location rated
- 6 foot power cord
- 0-10V Dimming
- Power cord and dimming leads extend from the top
- System rated for long 50,000 hour life
- Efficiently delivers up to 145 LPW

## Optics

- Clear impact-resistant acrylic lens
- Delivers bright, white light and excellent uniformity

## Spacing Criterion

(0-180): 1.3, (90-270): 1.28



### Listings

UL and cUL listed  
IP65 Rated  
DLC 5.0 Premium

### Warranty

Five year limited warranty against defects in manufacturing.

ITEM #	DESCRIPTION	RATED LUMENS	RATED WATTAGE	RATED LPW	VOLTAGE	POWER FACTOR	CCT	CRI	LIFE (HOURS)	L (IN.)	H (IN.)	W (IN.)
UFOUZDB140K	UFO HIBAY 120-277V 100W 140LPW 40K	14000	100	140	120-277V	>90	4000K	>80	50,000	11	4	11
UFOUZDB150K	UFO HIBAY 120-277V 100W 140LPW 50K	14000	100	140	120-277V	>90	5000K	>80	50,000	11	4	11
UFOUZDB240K	UFO HIBAY 120-277V 150W 140LPW 40K	21000	150	140	120-277V	>90	4000K	>80	50,000	11	4	11
UFOUZDB250K	UFO HIBAY 120-277V 150W 140LPW 50K	21000	150	140	120-277V	>90	5000K	>80	50,000	11	4	11
UFOUZDB340K	UFO HIBAY 120-277V 200W 145LPW 40K	29000	200	145	120-277V	>90	4000K	>80	50,000	11	4	11
UFOUZDB350K	UFO HIBAY 120-277V 200W 145LPW 50K	29000	200	145	120-277V	>90	5000K	>80	50,000	11	4	11
UFOUZDB440K	UFO HIBAY 120-277V 240W 145LPW 40K	34800	240	145	120-277V	>90	4000K	>80	50,000	14.25	5.5	14.25
UFOUZDB450K	UFO HIBAY 120-277V 240W 145LPW 50K	34800	240	145	120-277V	>90	5000K	>80	50,000	14.25	5.5	14.25
UFOUZDB540K	UFO HIBAY 120-277V 300W 145LPW 40K	43500	300	145	120-277V	>90	4000K	>80	50,000	14.25	5.5	14.25
UFOUZDB550K	UFO HIBAY 120-277V 300W 145LPW 50K	43500	300	145	120-277V	>90	5000K	>80	50,000	14.25	5.5	14.25

For the most up-to-date specs and warranty information, please visit [www.tcp.com](http://www.tcp.com)

# TECHNOLOGY CAST IN A BEAUTIFUL LIGHT

For over 20 years, TCP has been designing, developing and delivering energy-efficient lighting into the market. Thanks to our cutting-edge technology and manufacturing expertise, we have shipped billions of high quality lighting products. With TCP, you can count on a lighting product that is designed to meet the needs of the market - that transforms your surroundings and envelopes you in warmth - lighting that generates beauty with every flip of the switch.

Sales:

Date:

Model:

Project:

Rep:

Catalog Number:

Type:

Notes:



For more information on the quality and care TCP can deliver, call us at **800.324.1496** or visit [tcp.com](http://tcp.com)

325 Campus Dr. | Aurora, Ohio 44202 | P: 800.324.1496 | F: 877.487.0516