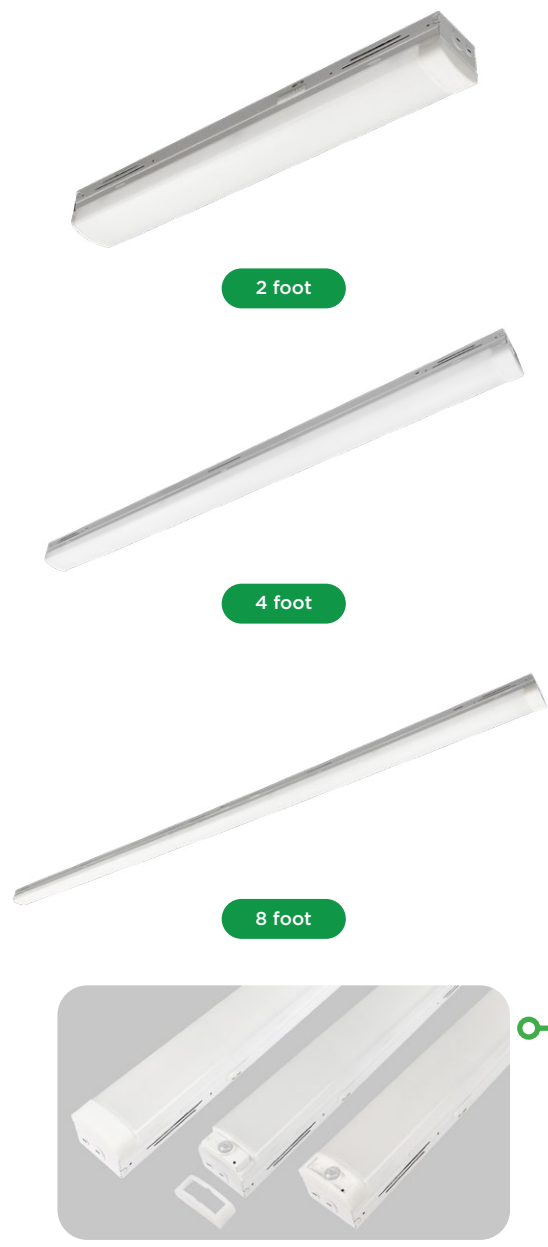


PROJECT NAME: \_\_\_\_\_ CAT. #: \_\_\_\_\_  
 NOTES: \_\_\_\_\_ FIXTURE SCHEDULE: \_\_\_\_\_

# LS3 Linear Strip - Control Ready Series Wattage & Color Selectable



### Product Description

The new generation of LS Series Linear Strips (LS3 Series) features field-selectable wattages, CCTs and field-installable controls. Offered in three sizes (2', 4' and 8'), with each providing nine combinations of color temperatures and wattages, as well as optional c-Max controls, one product can replace 54 different SKUs for stocking distributors! With its versatility and long life, the LS3 Series can address a variety of commercial, industrial, retail and residential application needs, including storage/utility, workshop, task or general area lighting.

### Features

- UL listed - Suitable for damp locations
- CCT and Wattage selectable (9 possible combinations with each fixture)
- Controls Ready – can be paired with the new cMax controls nodes
- 0-10V dimming standard
- CRI>80
- Universal voltage 120-277V
- L70 lumen maintenance of 100,000 hours
- Sheet metal (steel) housing and PMMA lens for smooth diffused distribution
- Operating temperature: -4°F to 122°F, except fixtures with EM option
- On EM mode, the fixture CCT will be set to 5000K
- Default setting for WCS models is set to lower wattage and 4000K
- Fixture may be surface, pendant, or stem mounted (accessories sold separately)
- On EM mode, the fixture output a minimum of 1000 lumens for 90 minutes, when fully charged

### Warranty

- 10 year standard

### Controls Ready

MaxLite's new Controls Ready (CR) fixtures allows for quick and easy in-field installation (plug and play) of controls. Simply purchase any CR fixture and the required Controls Node and you're all set! See the accessory table for all controls options available for this fixture.

### Controls Features

- Daylight Sensor
- Occupancy Sensor
- Integral Sensor Receptacle
- High-End Trim
- Bluetooth
- Energy Monitoring when used with Avi-On nodes
- Luminaire Level Lighting Control (LLLC)

### Ordering Information

FAMILY	-	SIZE	VOLTAGE	WATTAGE SELECT**	CCT SELECT**	CONTROLS OPTIONS	BBU OPTIONS*
LS3 = Linear Strip Gen 3		2 = 24"	U = 120-277V	15W = 15W/20W/25W	CS = Color Selectable (3500K/4000K/5000K)	CR = Controls Ready	BLANK = None EM = Battery Backup E2 = Made to Order Emergency back-up
		4 = 48"		23W = 23W/34W/47W			
		8 = 96"		65W = 65W/75W/90W			

\*EM unit is UL924 classified. EM is not possible on the 2ft model.

\*\*Default setting for WCS models is set to lowest wattage and 4000K.

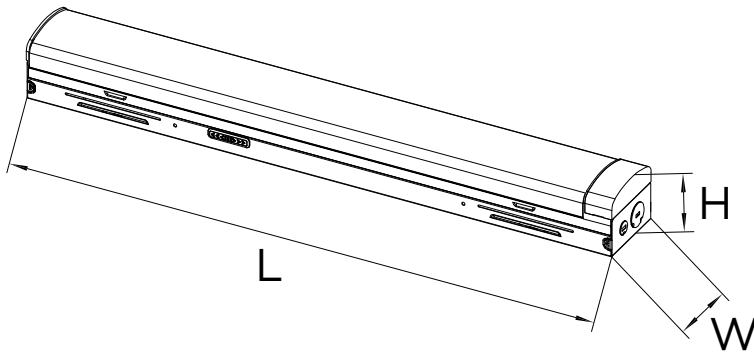
# LS3 Linear Strip - Control Ready Series

Wattage & Color Selectable

## Stocked Items

ORDER CODE	MODEL NUMBER	DLC PRODUCT ID#	DLC CLASSIFICATION	DLC CATEGORY
110524	LS3-2U15WCSCR			
110525	LS3-4U23WCSCR			
110526	LS3-8U65WCSCR			

## DIMENSIONS



PRODUCT	A (L)	A'	B(W)	C(H)
LS3-2U15WCSCR	22.2 inches		2.8 inches	2.3 inches
LS3-4U23WCSCR	47.3 inches			
LS3-8UxxWCSCR	94.2 inches			

## Sensor

SENSOR	TECHNOLOGY	DIMMING	DAYLIGHT HARVESTING	REMOTE CONTROL	QR CODE
CN-RTMST	Microwave, Photoelectric	Bi-Level	N/A	CN-REMOTE	
CN-RTPSW	PIR, Photoelectric	Bi-Level	Continuous Adjustment Mode (CAM)	Yes	
NN-RTW	Bluetooth networking	N/A	N/A	c-Max App (iPhone or Android)	
NN-RTPSW	PIR motion sensing, Photoelectric & Bluetooth networking	Bi-Level	Continuous Adjustment Mode (CAM)	c-Max App (iPhone or Android)	

# LS3 Linear Strip - Control Ready Series

## Wattage & Color Selectable

### Accessories

ORDER CODE	MODEL NUMBER	DESCRIPTION	IMAGE
74138	MLCHKLSU15	Cable Kit 15' Loop X Toggle Y 1 Pair	
111042	LS3-WG2404	WIREGUARD 2FT LS3 STRIP 22IN X 4IN	
111043	LS3-WG4804	WIREGUARD 4FT LS3 STRIP 48IN X 4IN	
111044	LS3-WG9604*	WIREGUARD 8FT LS3 STRIP 96IN X 4IN	
111041	LS3-PLATEKIT**	CONNECTING BRACKET/ PLATE KIT LS3 STRIP, WHITE FINISH	
111040	LS3-CBKT	CORNER BRACKET KIT FOR LS3 WCS	
108421	LS2-PMKIT	PIPE MOUNT KIT FOR LS2 AND LS3 (PENDING CONFIRMATION)	
108384	CWHD-48W ***	CONNECTING WIRE HARNESS - DIMMING 4FT WHITE INCLUDES ADDITIONAL FEMALE CONNECTOR	
108383	CWHP-48W ***	CONNECTING WIRE HARNESS - POWER 4FT WHITE INCLUDES ADDITIONAL FEMALE CONNECTOR	
<b>c-Max Basic</b>			
105567	CN-REMOTE	CONTROL NODE REMOTE CONTROL	
105564	CN-RTMST	CONTROL NODE RECTANGULAR, MICROWAVE MOTION SENSOR, TRANSLUCENT	
105890	CN-RTPSW	CONTROL NODE RECTANGULAR, PIR MOTION SENSOR/DAYLIGHT HARVESTING, WHITE	
<b>c-Max Network</b>			
105892	NN-RTW	NETWORK NODE RECTANGULAR, WHITE	
109111	WNS3-W	WALL NETWORK SWITCH (BLUETOOTH) WHITE	
108392	WNS5-W	WALL NETWORK SWITCH (BLUETOOTH) WHITE	
106059	NN-RTPSW	NETWORK NODE RECTANGULAR, PIR MOTION SENSOR/DAYLIGHT HARVESTING, WHITE	
106318	NPP-300W	120-277V NETWORK POWER PACK 300W MAX	

\* LS3-WG9604 comes in 2 units of 4' segments.\* Requires at least 1 remote control (CN-REMOTE) per project to program

\*\* It is recommended to purchase CWHD-48W (sold separately) and CWHP-48W (sold separately) along with LS2-PLATEKIT.

\*\*\* Use CWHD-48W and CWHP-48W to daisy chain. Maximum Luminaire count should be less than or equal to 4.

# LS3 Linear Strip - Control Ready Series

## Wattage & Color Selectable

### Specifications

Specifications	LS3-2U15WCSCR			LS3-4U23WCSCR		
	2 ft			4 ft		
Size	2 ft			4 ft		
Nominal Wattage* (W)	15W	20W	25W	23W	34W	47W
Lumens Delivered (lm)	2040, 2190, 2085	2800, 3080, 2940	3350, 3600, 3425	3335, 3565, 3381	4692, 5032, 4760	6110, 6580, 6204
Lumens Delivered at BBU mode (lm)	N/A			1200lm (EM suffix), 1000lm (E2 suffix)		
Nominal Efficacy (lm/W)	136, 145*, 139	144, 154, 147	134, 144, 137	145, 155*, 147	138, 148, 140	130, 140, 132
CCT	3500K, 4000K*, 5000K					
CRI	≥ 80					
L70 Lumen Maintenance	≥ 100,000 hours					
Dimming Technology	0-10V					
Dimming Range	10-100%					
Input Voltage	120-277V AC					
Power Factor	≥ 0.9					
Housing	Steel Sheet					
Diffuser	PMMA Oval					
Humidity						
Operating Temperature	-4°F to 122°F (-20°C to 50°C)			-4°F to 122°F (-20°C to 50°F), except for EM models. EM models: 32°F to 122°F (0°C to 50°C)		
Certifications	cULus listed, FCC, Rohs Compliant					
Qualifications	TBD					
Warranty	10 Years warranty					

\*Factory default wattage is set to lowest value and 4000K CCT

# LS3 Linear Strip - Control Ready Series

Wattage & Color Selectable

## Specifications

Specifications	LS3-8U65WCSCR		
Size	8 ft		
Nominal Wattage* (W)	65W	75W	90W
Lumens Delivered (lm)	9230, 9880, 9360	10500, 11250, 10575	11970, 12870, 12150
Nominal Efficacy (lm/W)	142, 152*, 144	140, 150, 141	133, 143, 135
Lumens Delivered at BBU mode (lm)	1200lm (EM suffix), 1000lm (E2 suffix)		
CCT	3500K, 4000K*, 5000K		
CRI	≥ 80		
L70 Lumen Maintenance	≥ 100,000 hours		
Dimming Technology	0-10V		
Dimming Range	10-100%		
Input Voltage	120-277V AC		
Power Factor	≥ 0.9		
Housing	Steel Sheet		
Diffuser	PMMA Oval		
Humidity			
Operating Temperature	-4°F to 122°F (-20°C to 50°F), except for EM models. EM models: 32°F to 122°F (0°C to 50°C)		
Certifications	cULus listed, FCC, Rohs Complaint		
Qualifications	TBD		
Warranty	10 Years warranty		

\*Factory default wattage is set to lowest value and 4000K CCT

## FCC Statement

This device complies with part 15 of the FCC Rules, operation is subject to the following two conditions:

(1) This device may not cause harmful interference and (2) this device must accept any interference that may cause undesired operation.