



## Product Description

The LED Motion Sensor Security Light is the ideal solution to illuminate areas for task functions as well as security reasons. An integral photocell automatically turns it on or off between night and daytime. The motion sensor provides light when activity is detected either to help with normal tasks or to highlight and deter possible security threats. It has two adjustable heads to allow you to aim the light where you want it to go. It is available in either black or white finishes.

## Features:

- UV stabilized impact resistant polycarbonate plastic housing and heads
- 28W
- CCT 5000K
- PIR motion sensor with integral photocell

## Installation:

- Direct Wall Mount

## Construction:

- UV stabilized impact resistant polycarbonate plastic housing and heads

## Listings:

- ETL for Wet Locations
- FCC

## Stocked Items

ORDER CODE	MODEL NUMBER	DESCRIPTION
111634	MSL2HW	2 HEAD SECURITY LIGHT WITH PHOTOCELL AND PIR SENSOR, WHITE FINISH
111292	MSL2HL	2 HEAD SECURITY LIGHT WITH PHOTOCELL AND PIR SENSOR, BLACK FINISH

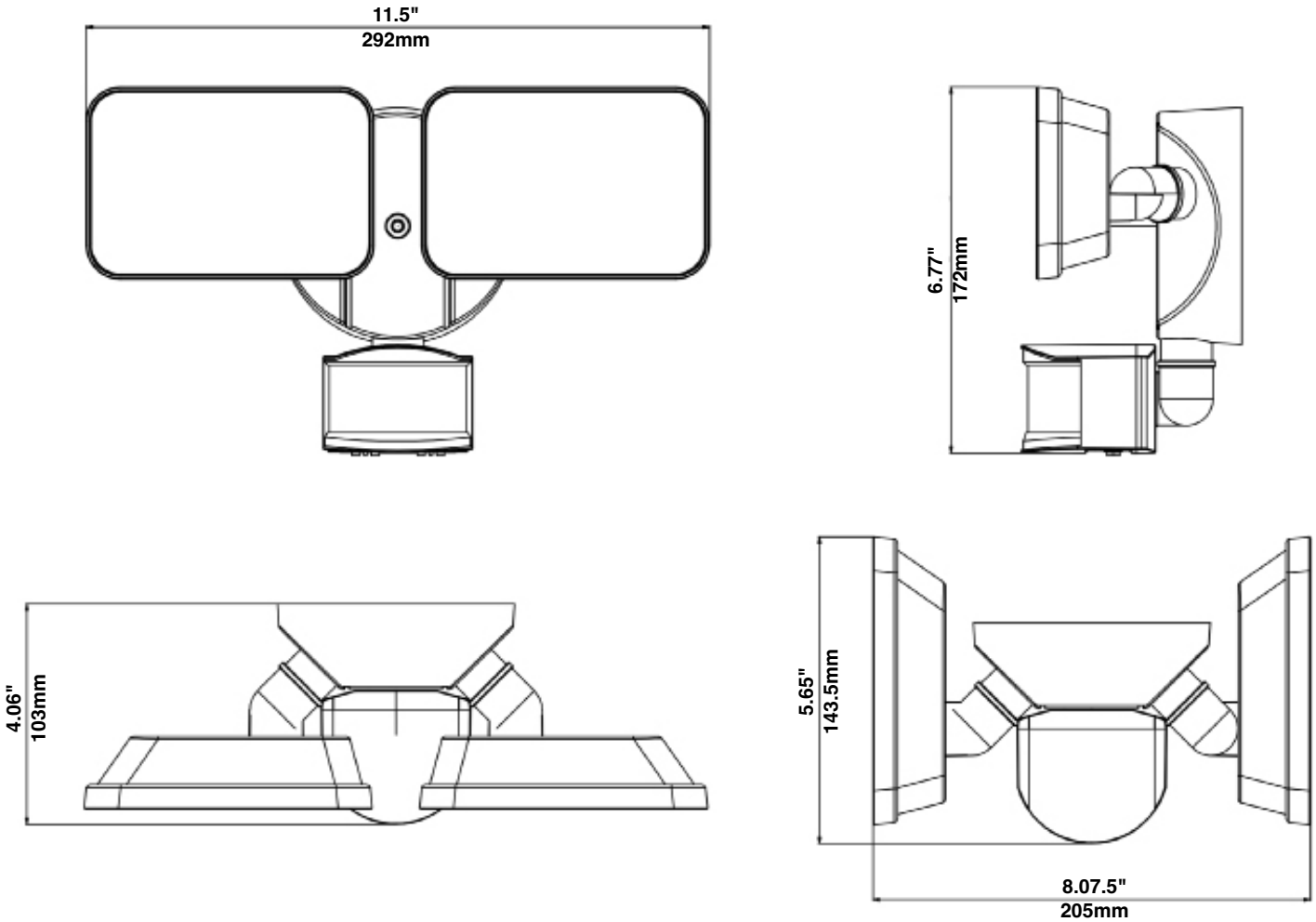


## Specifications:

Power Consumption (W)	28W
Lumens (lm)	2,500 lm
Efficacy (lm/W)	90 lm/w
CRI	>80
Color Temperature (K)	5000K
Distribution	Type V
Voltage	120V
Lumen Maintenance (L70)	>100,000 hrs
Controls	PIR Motion Sensor and integral photocell, 3 sensitivity settings 13'-45' range
Mounting	Wall, hardware included (see instruction manual)
Housing & Lens	UV stabilized impact resistant polycarbonate
Operating Temperature	-20°C/-4°F - 40°C/104°F
Weight	1.5lbs (680g)
Listings	ETL, FCC, IP65
Warranty	3 Years. Check <a href="http://maxlite.com/warranties">maxlite.com/warranties</a> for details.



### Dimensions



### Photometric Footprint

#### ISOFOOTCANDLE:

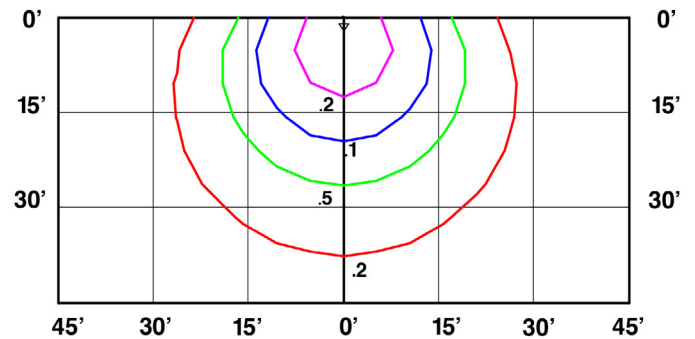
Each gridline represents one mounting height.  
 For mounting heights other than noted multiply FC by the below factor.

$$\text{Factor} = \frac{\text{Chart's Mtg Height}^2}{(\text{Actual Mtg Height})^2}$$

Layouts based on 3000K.  
 Results are 3-5% more for 4000/5000K.  
 Consult IES file for more precise calculations.

#### LEGEND

- 0.1 fc
- 0.2 fc
- 0.5 fc
- 1 fc
- 2 fc



Single Head, 10' Mounting Height, 45° Tilt