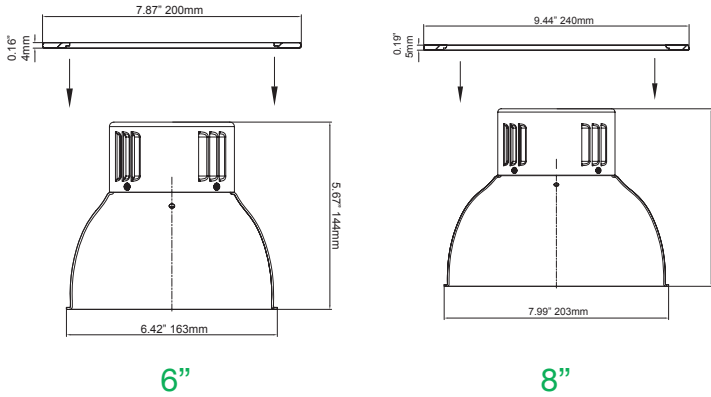


**COMMERCIAL RECESSED
RETROFIT DOWNLIGHT**
RRECO SERIES



PRODUCT DESCRIPTION:

The ENERGY STAR qualified eight-inch ECO Series LED Recessed Retrofit Downlight combines low up-front cost, minimal labor, best-in-class energy efficiency, and architectural-quality light to deliver an exceptional value for customers.

The ECO Series retrofit offers out-of-the-box dimming compatibility using 0-10-volt controls and features a one-piece design that is quick and easy to install into existing recessed frames.

FEATURES:

- Universal voltage (120V-277V)
- Mounts into existing recessed frame
- Supplied with optional retaining clips if existing frame does not have adequate friction springs to secure reflector
- cULus listed for damp location use
- CRI: ≥80
- PF: ≥0.9
- Dimmable 0-10V to 10%
- 10 year warranty

CONSTRUCTIONS:

- Supplied with an aluminum reflector in a haze finish
- External driver for easy retrofit and maintenance

WARRANTY:

10-year standard warranty with labor allowance* (further details available at www.maxlite.com/warranties)
*Warranty Limitations: Product must be rated for the application per the Product Data Sheet (PDS); operated ≤ 16 hrs; in ambient of -29F to 104F.

*Up to \$25/unit; labor allowances of up to \$500/unit available for purchase – contact MaxLite representative for details.



MODEL SELECTION (Full list of order codes on pg. 2)		Typical order example: RRECO82440W/V2			
RRECO				W	/V2
FAMILY	SIZE	WATTAGE (NOMINAL)	CCT	TRIM	VERSION
RRECO= Commercial Recessed Retrofit Downlight Economic Series	6= 6"	12= 12W 18= 18W 27= 27W	30= 3000K	W= White	V2= Version 2
	8= 8"	12= 12W 18= 18W 24= 24W 40= 40W	40= 4000K		

SPECIFICATIONS:

ITEM	SPECIFICATION	RRECO61230	RRECO61240	RRECO61830	RRECO61840	RRECO62730	RRECO62740
		W/V2	W/V2	W/V2	W/V2	W/V2	W/V2
GENERAL PERFORMANCE	Power Consumption (W)	11	11	17	17	26	26
	Lumens Delivered (lm)	940	980	1,334	1,462	2,229	2,273
	Efficacy (lm/W)	88	92	81	86	86	88
	CRI	≥80					
	Color Temperature (K)	3000, 4000 (Additional CCT available, contact MaxLite for info.)					
	L70 Lifetime (Hours)	50,000					
	Color Consistency	Proprietary binning for uniform color					
ELECTRICAL	Power Factor	≥0.9					
	Input Voltage	120-277V					
	Compatible Dimmers	Designed to be compatible with 0-10V dimmers					
PHYSICAL	Weight	2 lbs					
	Mounting	Mounts into existing recessed frame					
	Operating Temperature	-4°F to 104°F					
	Humidity	20-85% RH, non-condensing					
CERTIFICATION	Certification	Energy Star, cULus, FCC					
	Material Usage	RoHS compliant; no mercury					
	Environment	Damp, Indoor					
	Warranty	10 year warranty*					

ITEM	SPECIFICATION	RRECO81230	RRECO81240	RRECO81830	RRECO81840	RRECO82430	RRECO82440	RRECO84030	RRECO84040
		W/V2	W/V2	W/V2	W/V2	W/V2	W/V2	W/V2	W/V2
GENERAL PERFORMANCE	Power Consumption (W)	11	11	17	17	23	23	38	38
	Lumens Delivered (lm)	1,030	1,060	1,542	1,568	2,064	2,097	3,254	3,310
	Efficacy (lm/W)	96	99	93	92	89	90	85	86
	CRI	≥80							
	Color Temperature (K)	3000, 4000 (Additional CCT available, contact MaxLite for info.)							
	L70 Lifetime (Hours)	50,000							
	Color Consistency	Proprietary binning for uniform color							
ELECTRICAL	Power Factor	≥0.9							
	Input Voltage	120-277V							
	Compatible Dimmers	Designed to be compatible with 0-10V dimmers							
PHYSICAL	Weight	2 lbs							
	Mounting	Mounts into existing recessed frame							
	Operating Temperature	-4°F to 104°F							
	Humidity	20-85% RH, non-condensing							
CERTIFICATION	Certification	Energy Star, cULus, FCC							
	Material Usage	RoHS compliant; no mercury							
	Environment	Damp, Indoor							
	Warranty	5 years							

ORDERING:

ORDER CODE	MODEL	DESCRIPTION
1408678	RRECO61230W/V2	ECO SERIES COMMERCIAL DOWNLIGHT 6" 12W 3000K WHITE TRIM VERSION 2
1408357	RRECO61240W/V2	ECO SERIES COMMERCIAL DOWNLIGHT 6" 12W 4000K WHITE TRIM VERSION 2
1408679	RRECO61830W/V2	ECO SERIES COMMERCIAL DOWNLIGHT 6" 17W 3000K WHITE TRIM VERSION 2
1408360	RRECO61840W/V2	ECO SERIES COMMERCIAL DOWNLIGHT 6" 17W 4000K WHITE TRIM VERSION 2
1408680	RRECO62730W/V2	ECO SERIES COMMERCIAL DOWNLIGHT 6" 27W 3000K WHITE TRIM VERSION 2
1408673	RRECO62740W/V2	ECO SERIES COMMERCIAL DOWNLIGHT 6" 27W 4000K WHITE TRIM VERSION 2
1408681	RRECO81230W/V2	ECO SERIES COMMERCIAL DOWNLIGHT 8" 12W 3000K WHITE TRIM VERSION 2
1408365	RRECO81240W/V2	ECO SERIES COMMERCIAL DOWNLIGHT 8" 12W 4000K WHITE TRIM VERSION 2
1409589	RRECO81830W/V2	ECO SERIES COMMERCIAL DOWNLIGHT 8" 17W 3000K WHITE TRIM VERSION 2
1408368	RRECO81840W/V2	ECO SERIES COMMERCIAL DOWNLIGHT 8" 17W 4000K WHITE TRIM VERSION 2
1408682	RRECO82430W/V2	ECO SERIES COMMERCIAL DOWNLIGHT 8" 24W 3000K WHITE TRIM VERSION 2
1408676	RRECO82440W/V2	ECO SERIES COMMERCIAL DOWNLIGHT 8" 24W 4000K WHITE TRIM VERSION 2
1408683	RRECO84030W/V2	ECO SERIES COMMERCIAL DOWNLIGHT 8" 40W 3000K WHITE TRIM VERSION 2
1408374	RRECO84040W/V2	ECO SERIES COMMERCIAL DOWNLIGHT 8" 40W 4000K WHITE TRIM VERSION 2

ACCESSORIES:

ORDER CODE	MODEL	DESCRIPTION
73833	EBUDV487D145A	Field Installable Battery Backup- Provides at least 500 lumens for 90 minutes
14098874	RCF-4	4" Commercial Recessed Frame
14098875	RCF-6	6" Commercial Recessed Frame
14098876	RCF-8	8" Commercial Recessed Frame

***Please contact your MaxLite representative to order products that don't have order codes listed here.**

(Additional CCT available, contact MaxLite for info.)