



# Auto-Diverting Tub Spout System

+ ShowerStart® TSV

SINGLE FUNCTION SHOWERHEAD  
1.25 & 1.5 gpm

## FEATURES

- Reduces warm-up waits by 2x or more
- Auto diverts hot water to the showerhead once it arrives
- Integrated ShowerStart TSV (Thermostatic Shut-Off Valve) prevents unintended hot water use during shower warm-up
- Anti-leak tub spout design
- Quick Connect mounting options for:  
½" slip-fit connection (copper or galvanized pipe)  
½" and ¾" NPT threaded connection
- Includes WaterSense certified 1.5 gpm single function shower head

## SHOWERSTART® TSV

- Tub spout automatically diverts hot water to showerhead once 95°F (35°C) water arrives
- Specialized showerhead trickles until user begins showering
- Normal showerhead flow is activated by pulling lanyard
- System automatically resets for next use
- Integrated bypasses for bathing or cold showers
- For use with static water pressures >35 psi

## PRODUCT SPECIFICATION

The tub spout component of the Auto-Diverting Tub Spout System with ShowerStart TSV shall attach to either a ½" slip-fit connection (copper or galvanized pipe), ½" NPT threaded connection or a ¾" NPT threaded connection. Once installed, its integrated ShowerStart TSV shall automatically divert water measuring 95°F (35°C) or greater to the system's specialized WaterSense showerhead. Water shall not leak from the tub spout while it is being diverted to the showerhead. The tub spout's auto diverting feature may be bypassed for the purpose of taking a bath, however the tub spout shall automatically return to its default position after bathing is completed.

The specialized WaterSense showerhead component of the Auto-Diverting Tub Spout System with ShowerStart TSV shall attach to shower arms with ½" NPT male fittings. The showerhead shall include an integrated valve residing in a normally closed position. As a result, water shall only trickle from the showerhead when it initially reaches the fixture. The trickle shall continue until the user activates normal flow by pulling on the showerhead's lanyard or toggling the lever to which the lanyard is attached. Once water flow to the specialized showerhead is terminated its integrated valve shall automatically return to its normally closed position.

The Auto-Diverting Tub Spout System with ShowerStart TSV is designed to operate in tub/shower combination bathing units with static water pressures of 35 psi or higher. It is not compatible with 3-handled diverters.

MODEL NO.	DESCRIPTION	FINISH	SPRAY PATTERN	HDSHWR FLOW RATE	INCL MOUNTS
EV3312-CP125-SB	ADTS w/ single function showerhead	chrome	full body	1.25	yes
EV3312-CP150-SB	ADTS w/ single function showerhead	chrome	full body	1.5	yes
EV3312-CP175-SB	ADTS w/ single function showerhead	chrome	full body	1.75	yes
EV3312-CP200-SB	ADTS w/ single function showerhead	chrome	full body	2.0	yes
EV3352-CP125-CT	ADTS w/ single function showerhead, contractor version	chrome	full body	1.25	no
EV3352-CP150-CT	ADTS w/ single function showerhead, contractor version	chrome	full body	1.5	no
EV3352-CP175-CT	ADTS w/ single function showerhead, contractor version	chrome	full body	1.75	no
EV3352-CP200-CT	ADTS w/ single function showerhead, contractor version	chrome	full body	2.0	no
EV3102-XX000-CT	Mount: 1/2" Slip-fit Quick Connect				
EV3103-XX000-CT	Mount: 1/2" NPT Threaded Quick Connect				
EV3104-XX000-CT	Mount: 3/4" NPT Threaded Quick Connect				

# Auto-Diverting Tub Spout System

Single Function Showerhead



evolve™

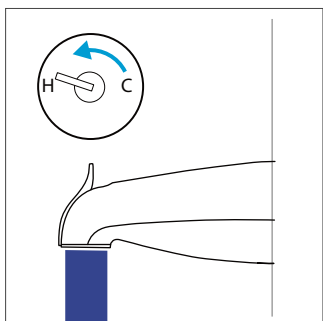
## PHYSICAL CHARACTERISTICS

### Auto-Diverting Tub Spout

- Chrome plated finish
- Bypass lever for bathing or cold showers
- Quick Connect mounting options:
  - ½" slip-fit connection (copper or galvanized pipe)
  - ½" NPT threaded connection
  - ¾" NPT threaded connection
- Size (LxWxH): 6.25" x 3.125" x 3" / 16 cm x 8 cm x 7.5 cm
- Weight: 12 oz. (340 g)

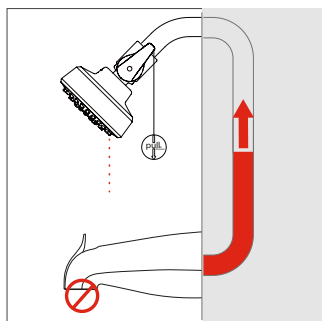
## CODES / STANDARDS APPLICABLE

- Uniform Plumbing Code (cUPC)
- WaterSense
- IAPMO IGC 244
- ASME A112.18.1 / CSA B125.1
- Conforms to A112.18.1. For use with automatic compensating valves rated at 1.1gpm (4.2 L/min) or less.



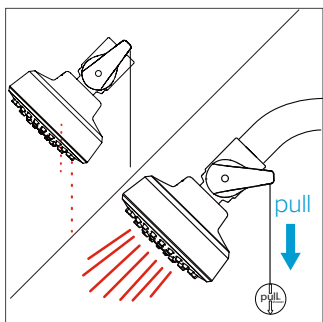
### 1 Turn on water Cold water exits spout

Continue with your typical routine - the things you do while waiting for the shower to become warm.



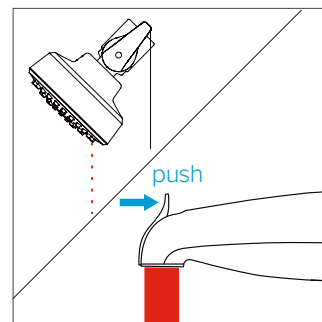
### 2 Auto Diverts, then Showerhead Trickles

When hot water arrives, ShowerStart Technology automatically diverts flow. Showerhead trickles - saving hot water until you get in.



### 3 Pull Cord When Ready To Get In

Pull the cord to activate normal flow and begin showering.



### 4 Option: Taking a Bath

If a bath is preferred, simply push tub spout lever back to its original position.

## PHYSICAL CHARACTERISTICS

### Specialized WaterSense Showerhead

- Chrome plated finish
- Single function, full-body spray
- 54 rub-clean, anti clog spray nozzles
- Pressure compensating flow technology
- Integrated normally closed valve with bypass
- 12" detachable lanyard
- Plated ABS body with brass ½" NPT fittings (female)
- Size (LxW): 3.25" x 3.6" / 83 mm x 91 mm
- Weight: 9 oz. (255 g)

## CERTIFIED SUPERIOR PERFORMANCE

part	max flow at 80 psi	min flow at 45 psi
1.25 gpm Showerhead	1.25gpm (4.7 L/min)	.9gpm (3.6 L/min)
1.5 gpm Showerhead	1.5gpm (5.7 L/min)	1.1gpm (4.2 L/min)
1.75 gpm Showerhead	1.75gpm (6.6 L/min)	1.5gpm (5.7 L/min)

## TECHNICAL CONSIDERATIONS

### Compatibility:

- For use in homes with static water pressure >35 psi
- Works with galvanized or copper plumbing
- NOT compatible with showers containing a wall mounted diverter
- Tankless systems require a minimum flow rate to produce hot water. With some tankless systems, a brief yet noticeable change in the shower's temperature may occur shortly after resuming the shower's normal flow

### Default operating mode:

- The system's default mode assumes a shower will be taken

### Bypass auto-divert for bathing:

- PUSH on the tub spout's diverter after auto-diverting has activated to bypass the showerhead, filling the tub with hot water

### Auto resets for next use:

- The system automatically resets to its default mode after a shower or bath is completed

### ShowerStart TSV:

- ShowerStart TSV is not an anti-scald device
- Lower water heater to 120° F (49° C)
- Always resume water flow and check water temperature before entering shower