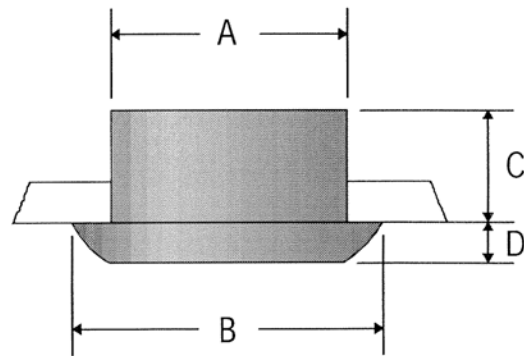
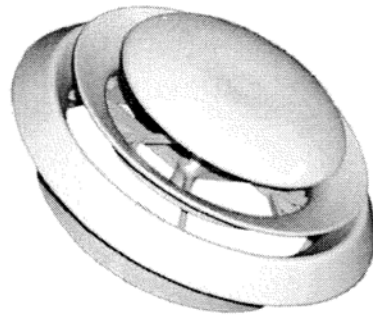
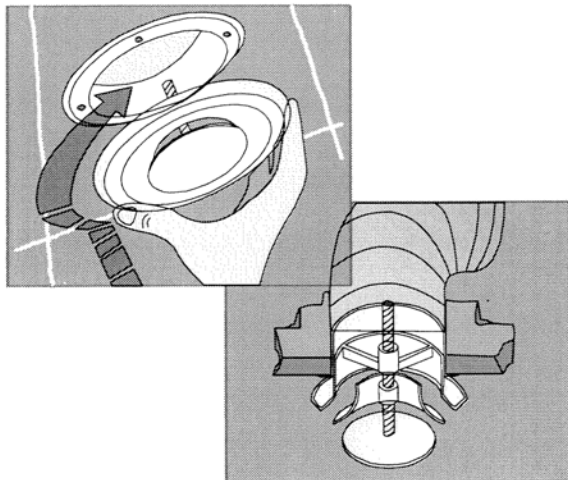


DR type

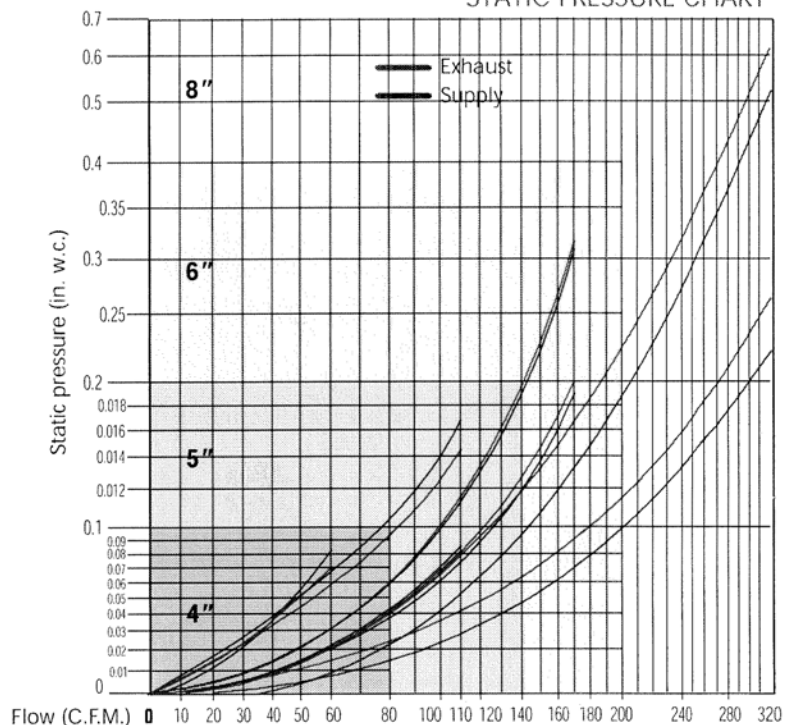
Used for both air distribution and venting, Boflex DR-type diffusers are made entirely of white polypropylene and are supplied with an adaptor made of the same material. This quality construction increases their corrosion resistance. Two flow settings allow for easy control of air intake or output from 0% to 100%, for outstanding efficiency. Boflex diffusers integrate with any heating, air conditioning, air exchange or venting system, and can be connected to a flexible or rigid duct. These highly functional units are completely silent and feature an attractive design which allows them to be installed anywhere.

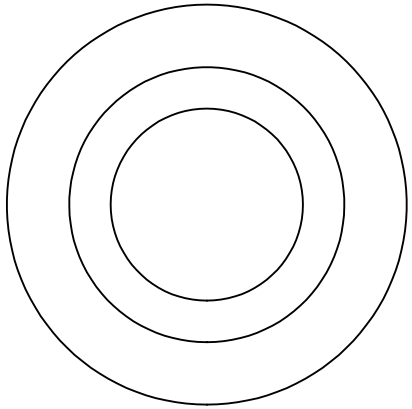
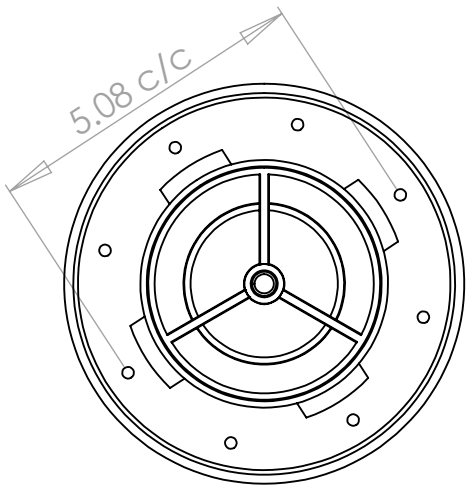
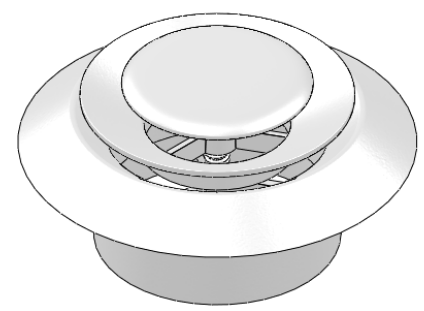
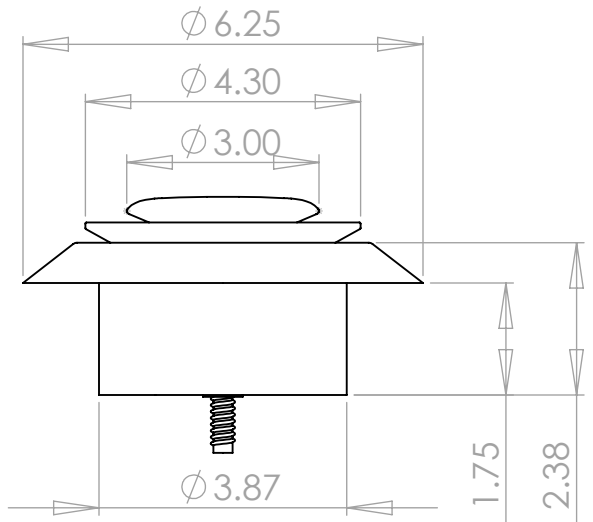


	4"	5"	6"	8"
A	3 15/16" - 100mm	4 15/16" - 125mm	5 15/16" - 151mm	7 7/8" - 202mm
B	6 1/4" - 159mm	7 9/16" - 192mm	7 9/16" - 192mm	10 5/8" - 270mm
C	1 13/16" - 46mm	1 11/16" - 43mm	1 13/16" - 46mm	1 11/16" - 43mm
D	3/4" - 19mm	13/16" - 21mm	1 11/16" - 43mm	7/8" - 22mm



Pressure Drop
STATIC PRESSURE CHART

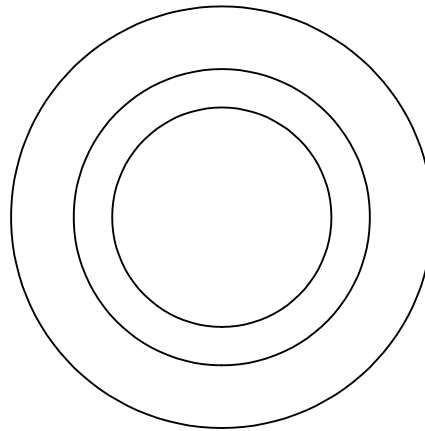
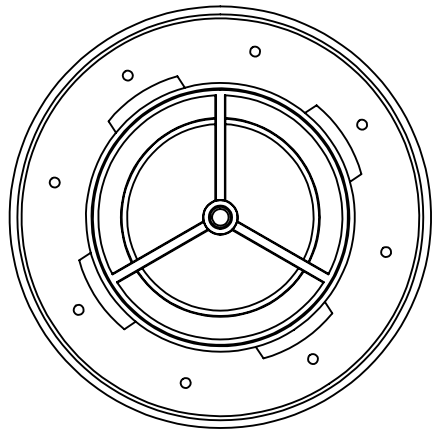
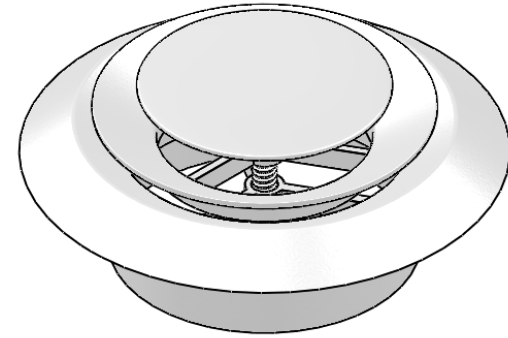
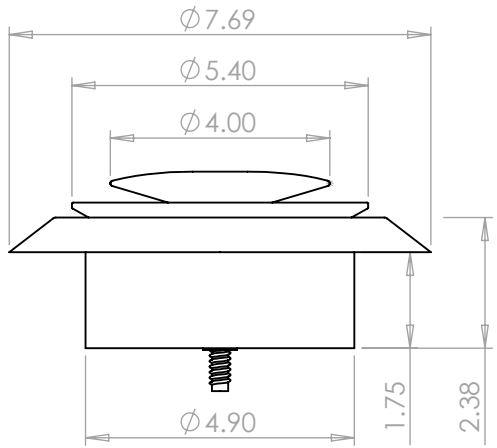




PROPRIETARY AND CONFIDENTIAL
 THE INFORMATION CONTAINED IN THIS DRAWING IS THE SOLE PROPERTY OF IMPERIAL SHEET METAL. ANY REPRODUCTION IN PART OR AS A WHOLE WITHOUT THE WRITTEN PERMISSION OF IMPERIAL SHEET METAL IS PROHIBITED.

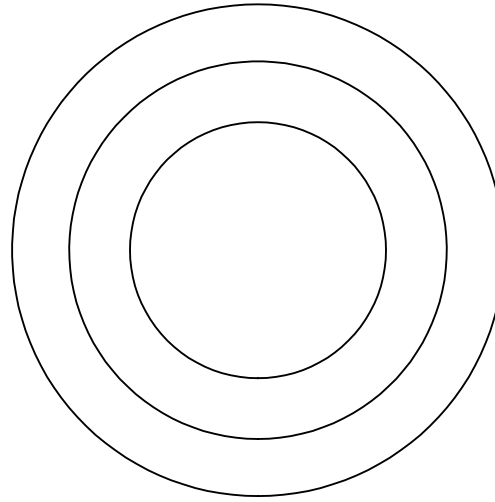
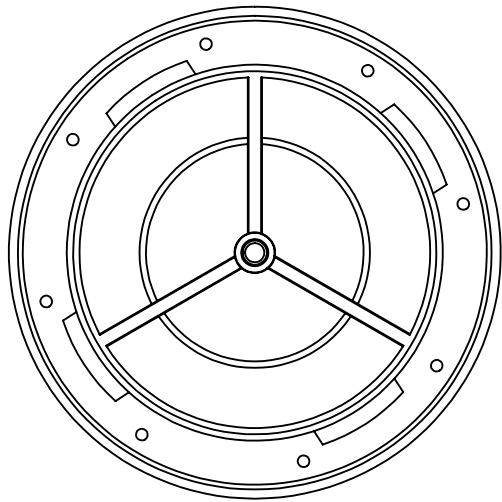
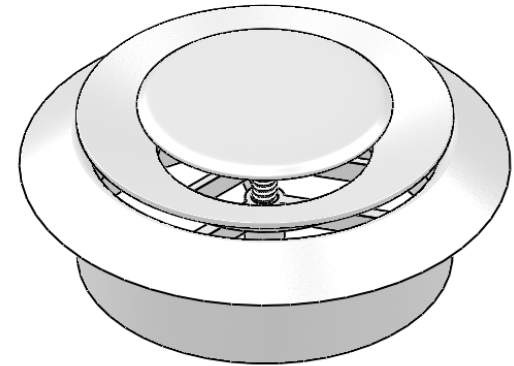
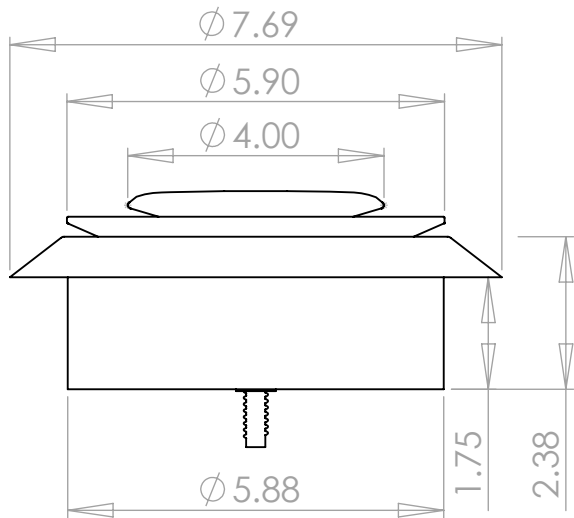
		UNLESS OTHERWISE SPECIFIED:		NAME	DATE
		DIMENSIONS ARE IN INCHES	DRAWN	JJC	DEC 09
		TOLERANCES:	CHECKED		
		FRACTIONAL \pm	ENG APPR.		
		ANGULAR: MACH \pm BEND \pm	MFG APPR.		
		TWO PLACE DECIMAL \pm	Q.A.		
		THREE PLACE DECIMAL \pm	COMMENTS:		
		INTERPRET GEOMETRIC TOLERANCING PER:			
		MATERIAL			
NEXT ASSY	USED ON	FINISH			
APPLICATION		DO NOT SCALE DRAWING			

TITLE:		
SIZE	DWG. NO.	REV
A	DR-04 Assy	
SCALE: NTS	WEIGHT:	SHEET 1 OF 1



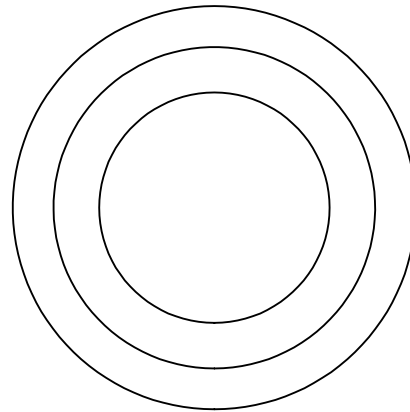
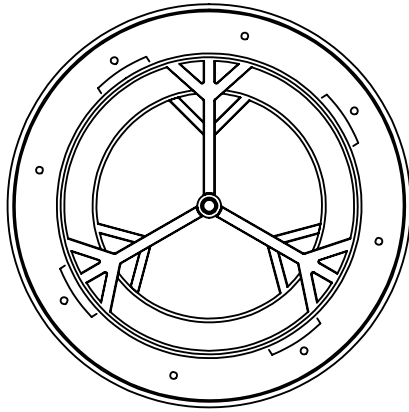
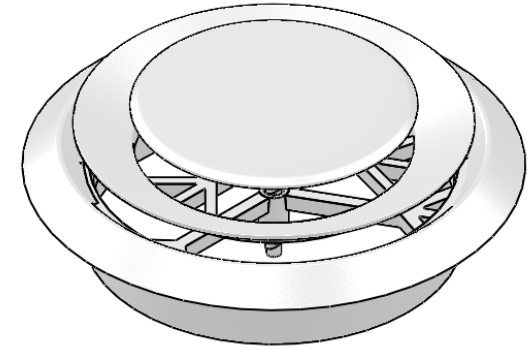
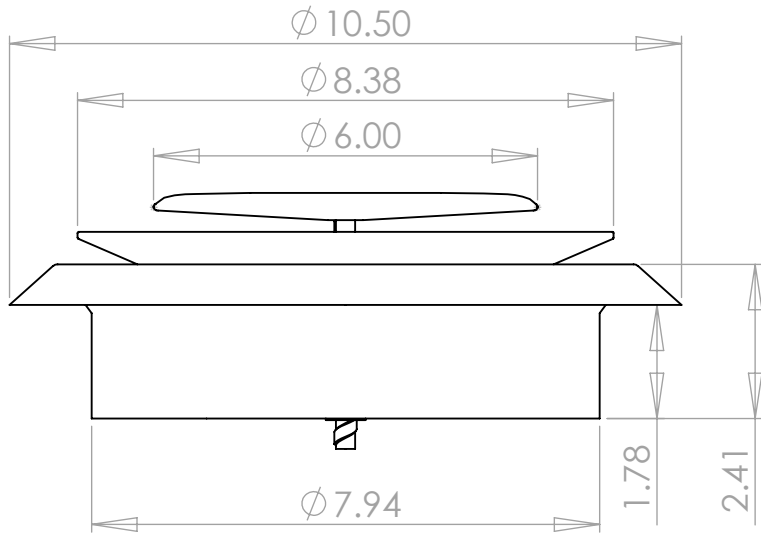
PROPRIETARY AND CONFIDENTIAL
 THE INFORMATION CONTAINED IN THIS DRAWING IS THE SOLE PROPERTY OF IMPERIAL SHEET METAL. ANY REPRODUCTION IN PART OR AS A WHOLE WITHOUT THE WRITTEN PERMISSION OF IMPERIAL SHEET METAL IS PROHIBITED.

		UNLESS OTHERWISE SPECIFIED:		NAME	DATE	
		DIMENSIONS ARE IN INCHES	DRAWN	JC	DEC 09	
		TOLERANCES:	CHECKED			TITLE:
		FRACTIONAL ±	ENG APPR.			
		ANGULAR: MACH ± BEND ±	MFG APPR.			
		TWO PLACE DECIMAL ±				
		THREE PLACE DECIMAL ±				
		INTERPRET GEOMETRIC TOLERANCING PER:	Q.A.			
		MATERIAL	COMMENTS:			
NEXT ASSY	USED ON	FINISH				SIZE DWG. NO. REV
						A DR-05 Assy
APPLICATION		DO NOT SCALE DRAWING				SCALE: 1:5 WEIGHT: SHEET 1 OF 1



PROPRIETARY AND CONFIDENTIAL
 THE INFORMATION CONTAINED IN THIS DRAWING IS THE SOLE PROPERTY OF IMPERIAL SHEET METAL. ANY REPRODUCTION IN PART OR AS A WHOLE WITHOUT THE WRITTEN PERMISSION OF IMPERIAL SHEET METAL IS PROHIBITED.

		UNLESS OTHERWISE SPECIFIED:		NAME	DATE	
		DIMENSIONS ARE IN INCHES	DRAWN	JC	DEC 09	TITLE:
		TOLERANCES:	CHECKED			
		FRACTIONAL ±	ENG APPR.			
		ANGULAR: MACH ± BEND ±	MFG APPR.			
		TWO PLACE DECIMAL ±	Q.A.			SIZE DWG. NO. REV
		THREE PLACE DECIMAL ±	COMMENTS:			
		INTERPRET GEOMETRIC TOLERANCING PER:				SCALE: 1:5 WEIGHT: SHEET 1 OF 1
		MATERIAL				
		FINISH				
NEXT ASSY	USED ON	APPLICATION	DO NOT SCALE DRAWING			



PROPRIETARY AND CONFIDENTIAL
 THE INFORMATION CONTAINED IN THIS DRAWING IS THE SOLE PROPERTY OF IMPERIAL SHEET METAL. ANY REPRODUCTION IN PART OR AS A WHOLE WITHOUT THE WRITTEN PERMISSION OF IMPERIAL SHEET METAL IS PROHIBITED.

		UNLESS OTHERWISE SPECIFIED:		NAME	DATE	
		DIMENSIONS ARE IN INCHES	DRAWN	JC	DEC 09	TITLE:
		TOLERANCES:	CHECKED			
		FRACTIONAL \pm	ENG APPR.			
		ANGULAR: MACH \pm BEND \pm	MFG APPR.			
		TWO PLACE DECIMAL \pm	Q.A.			SIZE DWG. NO. REV
		THREE PLACE DECIMAL \pm	COMMENTS:			
		INTERPRET GEOMETRIC TOLERANCING PER:				SCALE: NTS WEIGHT: SHEET 1 OF 1
		MATERIAL				
NEXT ASSY	USED ON	FINISH				
APPLICATION		DO NOT SCALE DRAWING				

5

4

3

2

1